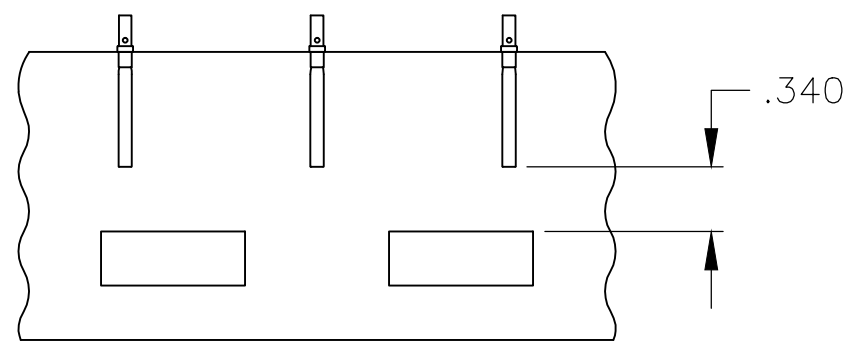


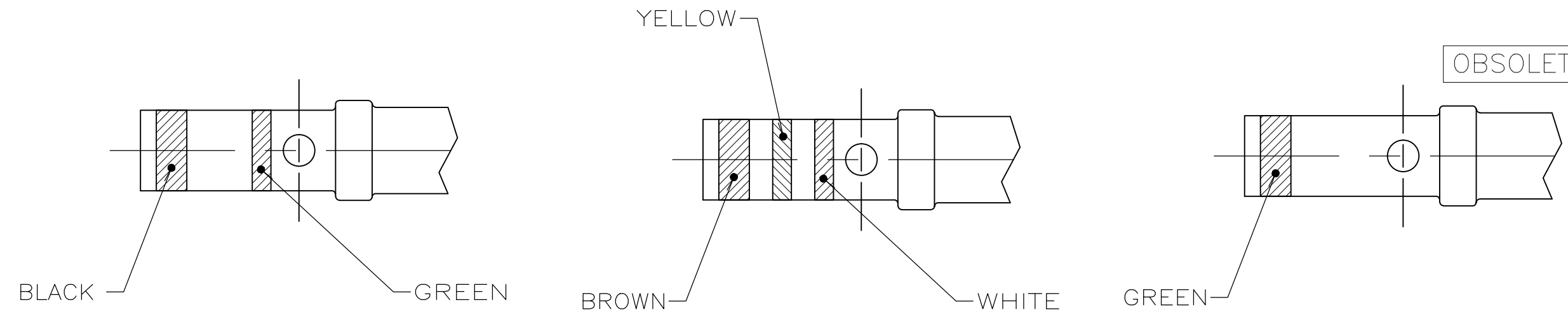
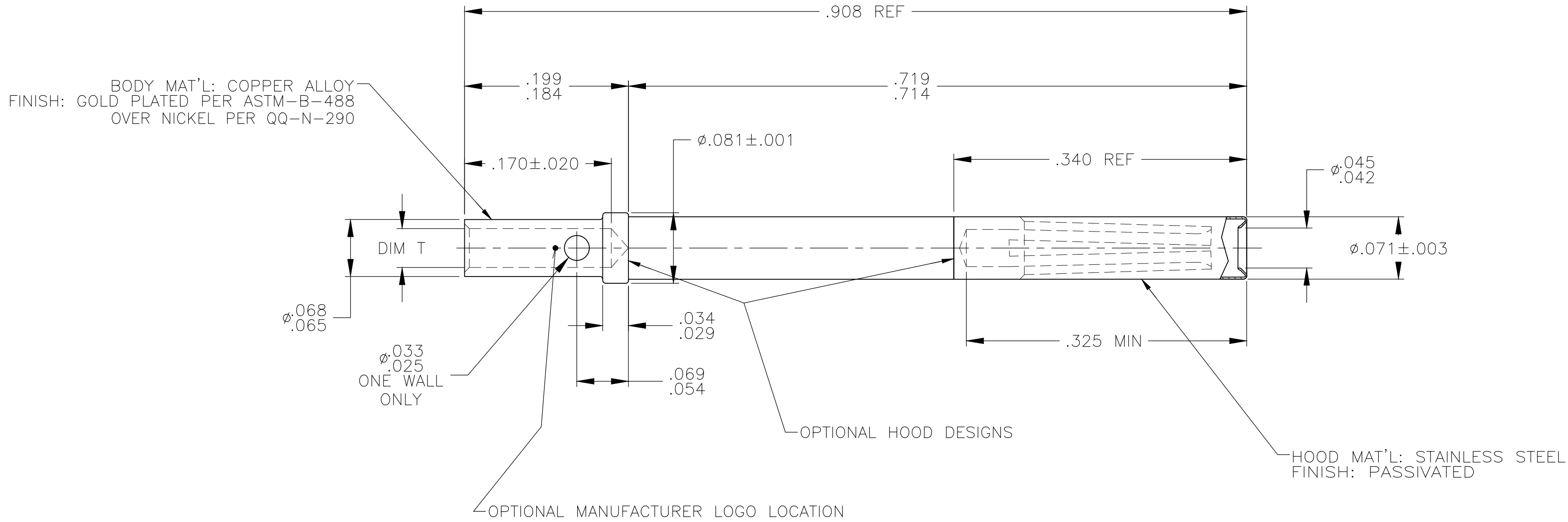
THIS DRAWING IS UNPUBLISHED. RELEASED FOR PUBLICATION  
 © COPYRIGHT - By - ALL RIGHTS RESERVED.

LOC		DIST		REVISIONS			
P	LTR	DESCRIPTION		DATE	DWN	APVD	
-	-	T		REVISED PER ECO-14-012828	30AUG2014	MGM CT	



DETAIL A  
 TAPE MOUNTED  
 ASSEMBLY  
 SCALE 1:1  
 205116-2 ONLY

- WHEN ORDERING CONTACT ON TAPE, ORDER BY THE TAPE NUMBER PLUS THE PACKAGING CODE AS FOLLOWS:
  - FOR USE WITH AMP TAPETRONIC, PNEUMATIC TOOL-
    - 1000 PARTS TO A BOX ADD PACKAGING CODE: 1MBOX
  - FOR USE WITH 4/8 INDENT STRIPPER CRIMPER-
    - 1000 PARTS TO A REEL ADD PACKAGING CODE: 1MREEL
    - 5000 PARTS TO A REEL ADD PACKAGING CODE: 5MREEL
- POINT OF PLATING THICKNESS MEASUREMENT .100/.150 FROM WIRE BARREL END ON EXTERIOR.
- MANUFACTURER'S LOGO ("A" OR "-.") LOCATION OPTIONAL.



DETAIL D  
 205116-5 ONLY

DETAIL B  
 205116-1 & -2 ONLY

DETAIL C  
 205116-4 ONLY

WIRE GAGE	REMARKS	DIM T	PART NUMBER
30 - 26	SEE DETAIL D	ø.023-.025	205116-5
24 - 20	SEE DETAIL C	ø.043-.046	205116-4
24 - 20	NO COLOR CODE	ø.043-.046	205116-3
24 - 20	SEE DETAIL A & B	ø.043-.046	205116-2
24 - 20	SEE DETAIL B	ø.043-.046	205116-1

THIS DRAWING IS A CONTROLLED DOCUMENT. DIMENSIONING AND TOLERANCING PER ASME Y14.5M (ISO STANDARDS)

DWN: C.C.THOMAS 2-12-04  
 CHK: LARRY OH 2-12-04  
 APVD: LARRY OH 2-12-04

TE Connectivity  
 SOCKET ASSEMBLY, SUB 20, TYPE XVII-RM

SIZE: A2 CAGE CODE: 00779 DRAWING NO: 205116 RESTRICTED TO: -  
 MATERIAL: SEE CALLOUTS FINISH: SEE CALLOUTS WEIGHT: - SCALE: 10:1 SHEET: 1 OF 1 REV: T

## X-ON Electronics

Largest Supplier of Electrical and Electronic Components

*Click to view similar products for [Rack & Panel Connectors](#) category:*

*Click to view products by [TE Connectivity](#) manufacturer:*

Other Similar products are found below :

[00171410002](#) [00171420202](#) [00171440002](#) [02-014-013-5200-000](#) [613467-000](#) [CTJ112E01E-513](#) [CTJ116E03A-513](#) [66020-2](#) [CW8958-000](#)  
[699886-000](#) [D250-50632](#) [70.400.3240.0](#) [70.955.2453.3](#) [733753-000](#) [F22831-000](#) [780-522-DPX34RG8-02](#) [8660-501](#) [87.060.0053.0](#)  
[900709N001](#) [928358-1](#) [D-659-0061](#) [1-445717-6](#) [1484469-2](#) [1604997-2](#) [MTC100-BF1-P31CS015](#) [MTC100-KT2-0083](#) [MTC100-KT2-0123-](#)  
[003](#) [MTC100-YA1-005](#) [MTCQKT1R2PGCA](#) [MTCR-103-04S](#) [MTCX1X-100-100CS025](#) [1738331-1](#) [1757667-1](#) [1811481-1](#) [1883433-1](#)  
[201046-7](#) [202648-4](#) [213364-1](#) [226503-000](#) [937028-164](#) [1663130-2](#) [172305-4](#) [AC-660022-701BP](#) [F36711-000](#) [202355-2](#) [202356-2](#) [G16S-A](#)  
[G20S-AB](#) [CHA-0017-003](#) [CHA-0296](#)