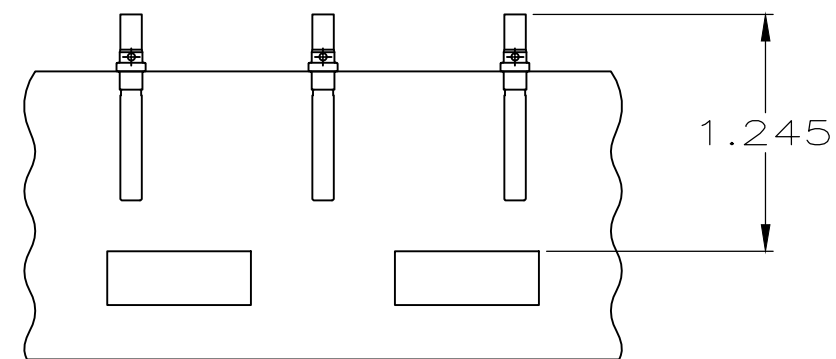


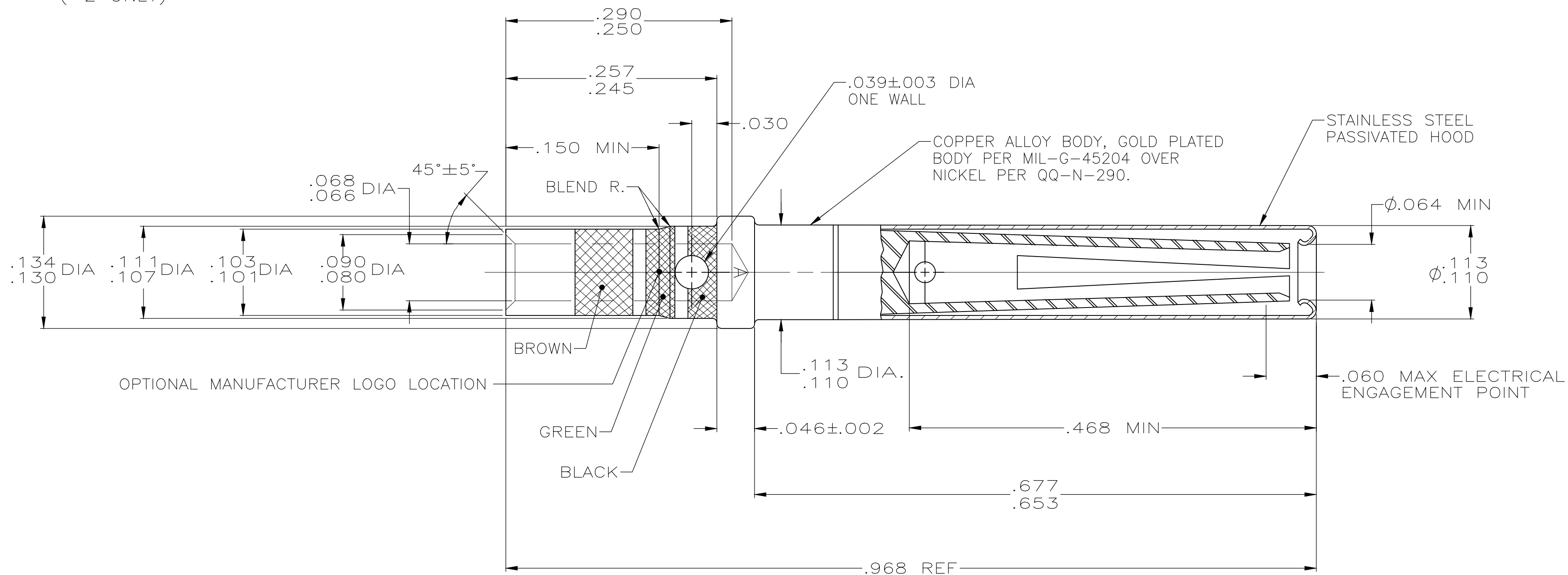
THIS DRAWING IS UNPUBLISHED. RELEASED FOR PUBLICATION
 © COPYRIGHT - By - ALL RIGHTS RESERVED.

LOC		DIST		REVISIONS			
P	LTR	DESCRIPTION		DATE	DWN	APVD	
DF	A0	M		REVISED PER ECO-14-012828	28AUG2014	MGM	CT



TAPE MOUNTED ASSEMBLY (-2 ONLY)

- 205117-1 1. AS SHOWN
- OBSOLETE 205117-2 1. SAME AS -1 EXCEPT: MOUNTED ON MYLAR TAPE.
- 205117-3 1. SAME AS -1 EXCEPT: COLOR CODE TO BE SINGLE BLUE BAND.



1. WHEN ORDERING CONTACT ON TAPE, ORDER BY THE TAPE NUMBER PLUS THE PACKAGING CODE AS FOLLOWS:
 1. FOR USE WITH AMP TAPETRONIC, PNEUMATIC TOOL-
 - A. 1000 PARTS TO A BOX ADD PACKAGING CODE: 1MBOX
 2. FOR USE WITH 4/8 INDENT STRIPPER CRIMPER-
 - A. 1000 PARTS TO A REEL ADD PACKAGING CODE: 1MREEL
 - B. 5000 PARTS TO A REEL ADD PACKAGING CODE: 5MREEL
2. POINT OF PLATING THICKNESS MEASUREMENT .100/.150 FROM WIRE BARREL END EXTERIOR.

THIS DRAWING IS A CONTROLLED DOCUMENT.		DWN	J.LINDERMAN	3-24-93	STE TE Connectivity
DIMENSIONS: INCHES		CHK	A.SHARPE	3-26-93	
TOLERANCES UNLESS OTHERWISE SPECIFIED:		APVD	-	-	NAME
0 PLC	± -	PRODUCT SPEC	-	-	CONTACT ASS'Y #16 SOCKET
1 PLC	± -	APPLICATION SPEC	-	-	ARINC 404 REAR RELEASE
2 PLC	± -	WEIGHT	-	-	SIZE
3 PLC	± .005	CUSTOMER DRAWING	-	-	A2
4 PLC	± -	SCALE	10:1	SHEET	1 OF 1
ANGLES	± -	REV	M		
MATERIAL	FINISH				

X-ON Electronics

Largest Supplier of Electrical and Electronic Components

Click to view similar products for [D-Sub Contacts](#) category:

Click to view products by [TE Connectivity](#) manufacturer:

Other Similar products are found below :

[D02-22-26S-10000](#) [8656352067LF](#) [131A15029X](#) [132A11019X](#) [132J22039X](#) [132A11029X](#) [132A11049X](#) [132A12059X](#) [1757912-1](#) [188582-000](#) [162A11889X](#) [1757913-1](#) [212558-1](#) [030-1955-000](#) [053744-0098](#) [053744-0099](#) [053745-0105](#) [053745-0111](#) [601098N003](#) [86303057NLF](#) [131A11019X](#) [162A11819X](#) [40-9854MP](#) [1-208778-5](#) [FC120N2](#) [MC7526D/AA](#) [MC8122D/AA](#) [FC4010D-15](#) [FC4006D](#) [121A05329A](#) [164C16669X](#) [86566620064LF](#) [131A13019X](#) [DLS3XS5AK40X](#) [09692825723](#) [030-1954-000](#) [L17DM53744207](#) [L17RRD1M11400](#) [030-1952-000](#) [1655496](#) [030-1953-000](#) [030-1953-030](#) [132C11039X](#) [132J15019X](#) [132C15019X](#) [132A10039X](#) [131A10029X](#) [8638PSC2006LF](#) [8656453067LF](#) [86566520064LF](#)