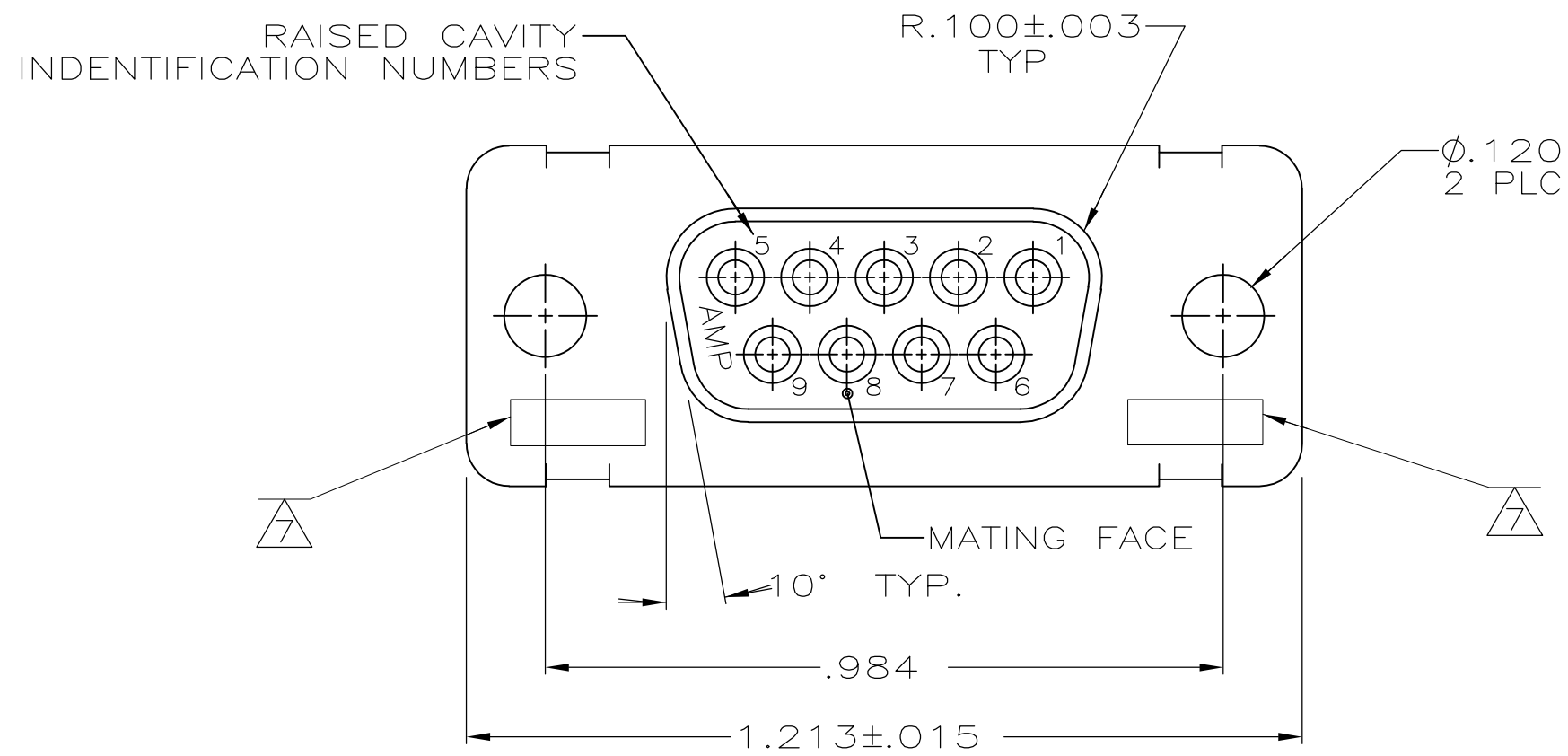
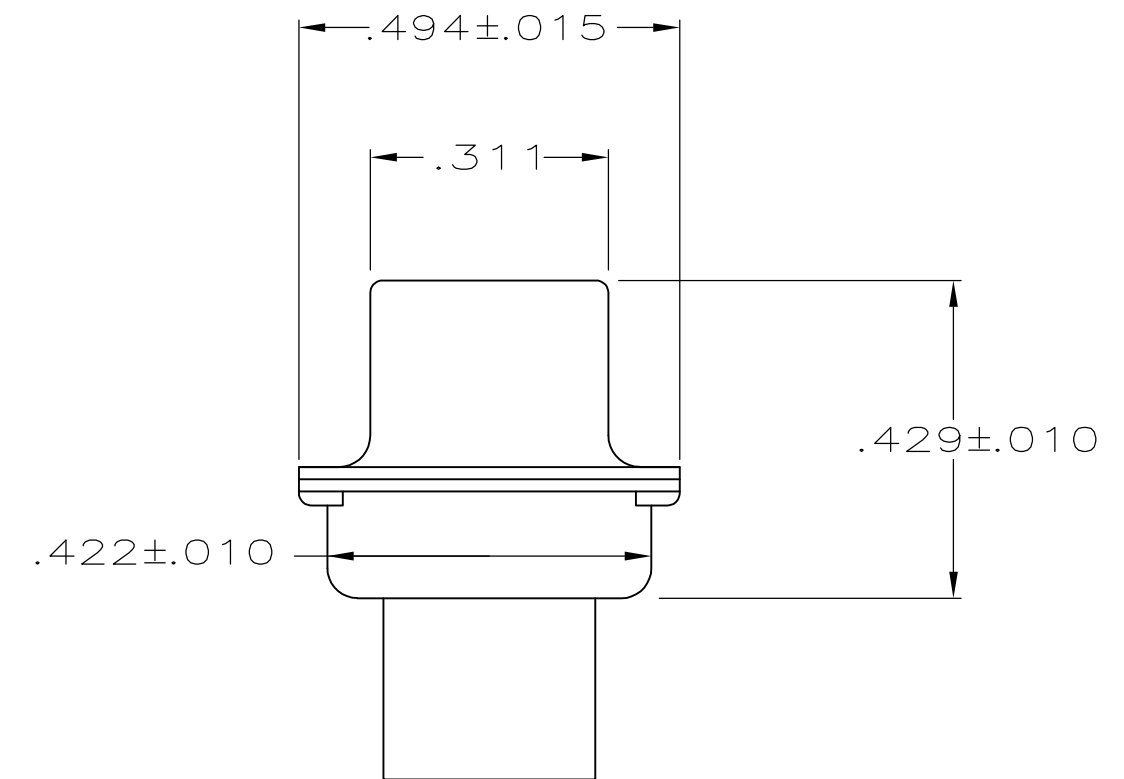
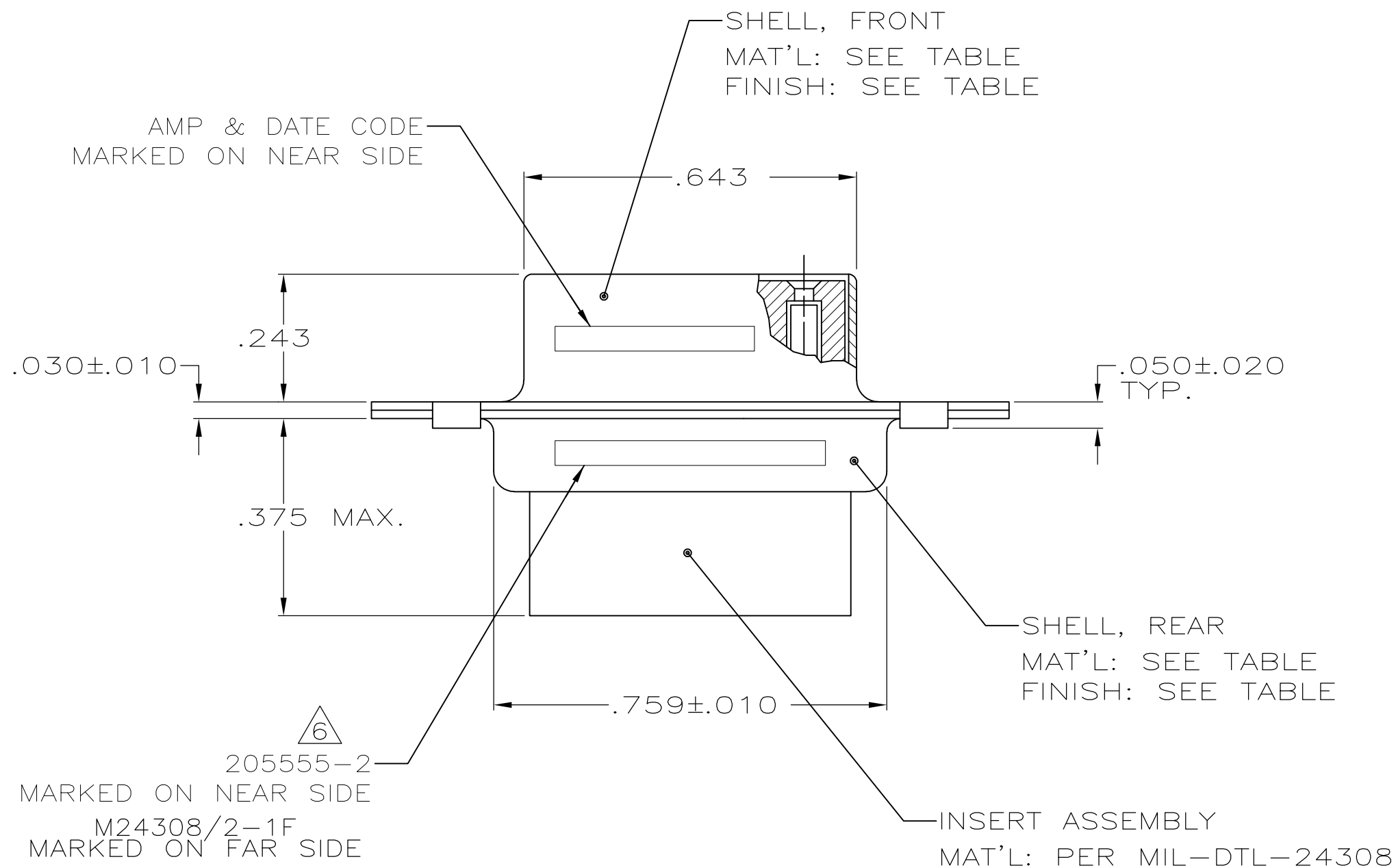


THIS DRAWING IS UNPUBLISHED. RELEASED FOR PUBLICATION
 © COPYRIGHT - By - ALL RIGHTS RESERVED.

| LOC | | DIST | | REVISIONS | | | |
|-----|-----|---------------------------|--|-----------|-----|------|--|
| P | LTR | DESCRIPTION | | DATE | DWN | APVD | |
| | P3 | REVISED PER ECO-15-016062 | | 10NOV15 | KG | CD | |



1. THIS RCPT. IS DESIGNED TO CONFORM TO THE LATEST ISSUE OF MIL-C-24308
 2. MAX WIRE INSUL TO BE USED WITH THIS RCPT IS .068 DIA
 3. STAINLESS STEEL RETENTION CLIPS ARE INCLUDED IN INSERTS
 4. PACKAGE STAMPED M24308/2-281F
 5. THIS RCPT. WILL ACCEPT SIZE 20 SOCKET CONTACT M39029/63-368 OR ANY AMP HD-20 SOCKET CONTACT
- △6 AMP PART NO. STAMPED ON CONNECTOR REPRESENTS KIT NUMBER WITH CONTACTS
 - △7 UL/CSA DESIGNATION STAMPED IN THIS AREA.
 - △8 RESTRICTED ITAR DRAWING.
 - △9 FINISH: PLATED BRIGHT TIN .000400 MIN THK PER ASTM-B-545 OVER COPPER PLATE .000050 MIN THK PER MIL-C-14550.



| | | | |
|-------------------|----|----------------------|----------------|
| | △9 | STEEL, CLASS G | 205161-5 |
| | - | - | 205161-4 |
| SUPSC BY 205161-1 | △8 | CADMIUM PER QQ-P-416 | STEEL, CLASS G |
| SUPSD BY 207253-2 | | CADMIUM PER QQ-P-416 | BRASS |
| | | CADMIUM PER QQ-P-416 | STEEL, CLASS G |
| | | SHELL FINISH | SHELL MATERIAL |
| | | | PART NUMBER |

| | | | | |
|--|--|------------------------------|--|--------------------|
| THIS DRAWING IS A CONTROLLED DOCUMENT. | | DWN C.C.THOMAS 1-12-05 | | |
| DIMENSIONS: INCHES | | CHK D.MILLER 1-12-05 | | |
| TOLERANCES UNLESS OTHERWISE SPECIFIED: | | APVD D.MILLER 1-12-05 | NAME RCPT ASSY,AMPLITE, SIZE 1,9 POSN,SERIES 109 | |
| | | PRODUCT SPEC | RESTRICTED TO | |
| MATERIAL SEE CALLOUTS | | APPLICATION SPEC | SIZE A2 | CAGE CODE 00779 |
| FINISH SEE CALLOUTS | | WEIGHT - | DRAWING NO C=205161 | SCALE 4:1 |
| | | CUSTOMER DRAWING | SHEET 1 of 1 | REV P3 |

X-ON Electronics

Largest Supplier of Electrical and Electronic Components

Click to view similar products for [D-Sub MIL Spec Connectors](#) category:

Click to view products by [TE Connectivity](#) manufacturer:

Other Similar products are found below :

[M85049/50-5F](#) [MDM-21PH046F](#) [850-056-0812](#) [1218697-4](#) [1484349-1](#) [17D25HV](#) [1996840-1](#) [243082-15](#) [1757682-1](#) [17D-E51218-1](#)
[17SDA15S](#) [1883533-1](#) [1883886-1](#) [1883889-1](#) [192900-0377](#) [M24308/8-347](#) [M83513/03-E09C](#) [443961-3](#) [MDM-21PH041F](#) [MDM-](#)
[21PH048F](#) [5-1218949-1](#) [550-031NF1R6K](#) [3-1236089-2](#) [550E001NF1R3J0L](#) [550T001NF1R6K0L](#) [557T283NF5B08](#) [DB121073-56](#)
[DC121073157](#) [443869-3](#) [443869-4](#) [443869-5](#) [550S004NF1R1B0F03](#) [557E283NF1A06](#) [527-019NF0303R2K1F](#) [5-446405-1](#) [550-](#)
[031NF1R2E](#) [550E003M2R9J0F04](#) [550E003M3R9J0F05](#) [550E024M104R9J0](#) [550E024NF102R3J0B](#) [550E039NF1R3J1-02](#)
[550S003M3R9B0F05](#) [550S004M4R7M0F04](#) [550S004NF1R1B1F02](#) [550S008M3F0K0F04](#) [550S086M5R3J0L](#) [550S100NF3F0E](#)
[550T001M2R7E0L](#) [550T001NF1F0B1L](#) [550T001NF1R1K0G](#)