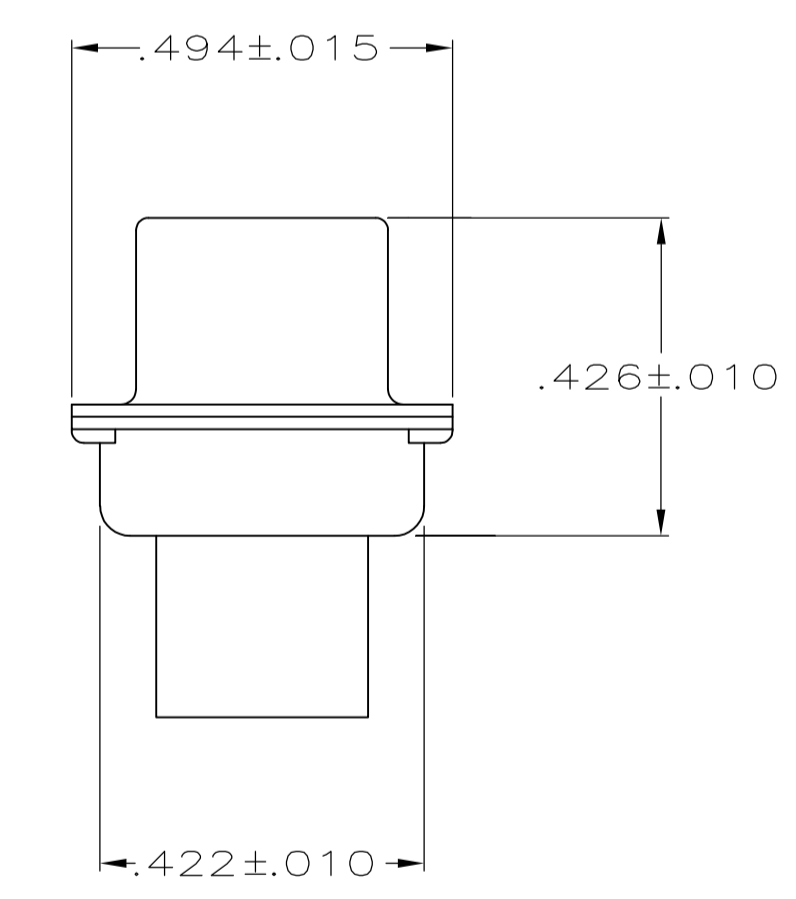
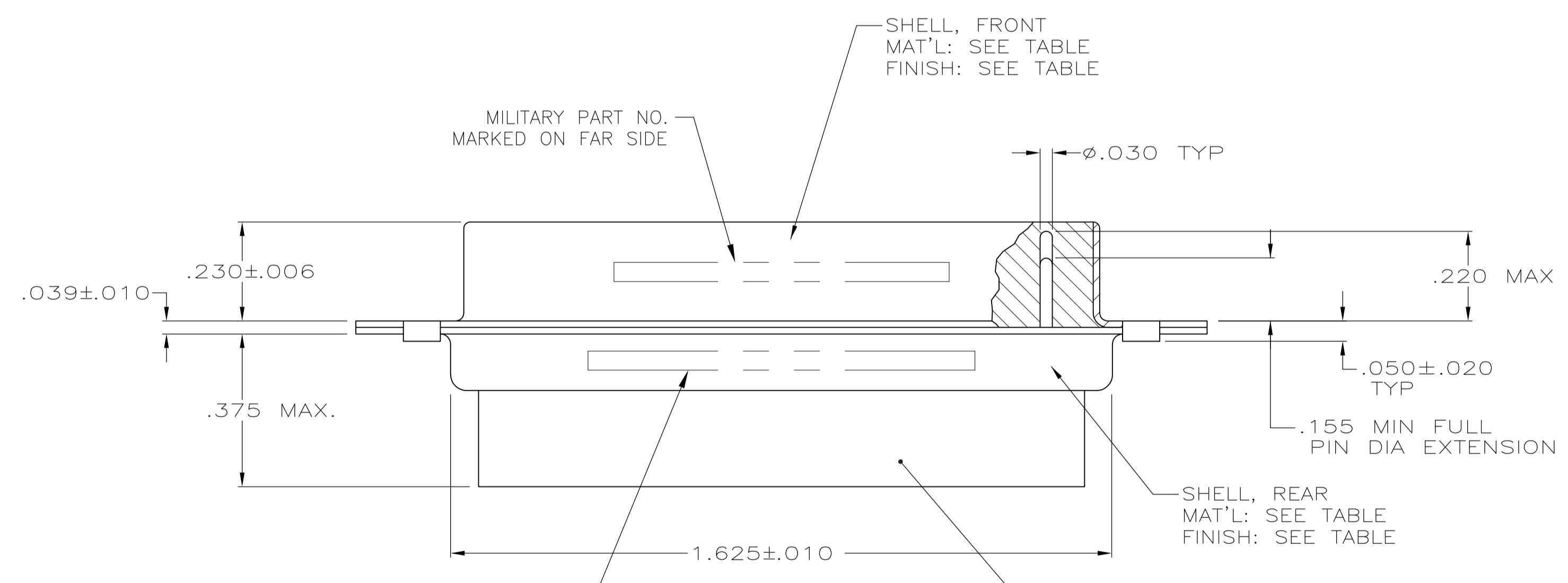
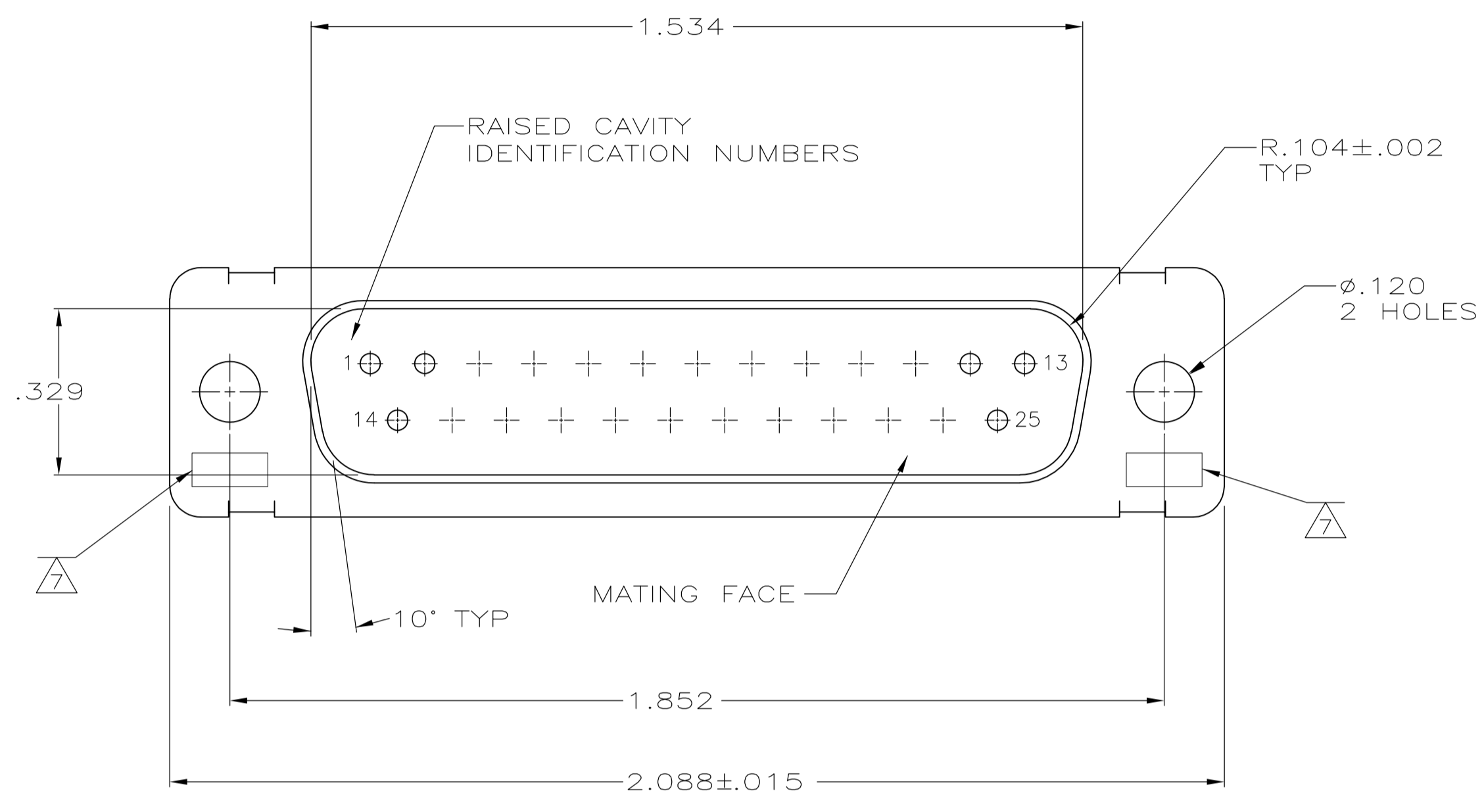


LOC		DIST		REVISIONS			
P	LTR	DESCRIPTION	DATE	DWN	APVD		
S		REV PER ECO-15-016062	10NOV15	KG	CD		

- THIS PLUG IS DESIGNED TO CONFORM TO THE LATEST ISSUE OF MIL-C-24308.
- MAXIMUM WIRE INSULATION TO BE USED WITH THIS PLUG IS $\phi.068$.
- STAINLESS STEEL RETENTION CLIPS ARE INCLUDED IN INSERTS.
- ~~PACKAGE STAMPED M 24308/4 261F.~~
- THIS PLUG WILL ACCEPT SIZE 20 PIN CONTACT M39029/64-369 OR ANY TYCO HD-20 PIN CONTACT.
- MFG'S PART NO. STAMPED ON CONNECTOR REPRESENTS KIT NUMBER WITH CONTACTS.
- UL/CSA DESIGNATION STAMPED IN THIS AREA.
- ~~TE CONNECTIVITY, 205560-2, & DATE CODE INK STAMPED, FAR SIDE.~~
- ~~TE CONNECTIVITY, 205166-4 INK STAMPED, FAR SIDE.~~
- FINISH: BRIGHT TIN PER ASTM-B-545 .000400-.000550 THK OVER COPPER PER AMS2418 .000050 MIN THK.
- FRONT SHELL HAS GROUNDING INDENTS, 205166-4 ONLY, (NOT SHOWN).
- ~~M24308/4 F INK STAMPED, FAR SIDE.~~



MFG'S NAME, BRAND OR LOGO, MFG'S PART NO. & DATE CODE MARKED ON FAR SIDE

MILITARY PART NO. MARKED ON FAR SIDE

INSERT ASSY MATERIAL PER MIL-DTL-24308

REMARKS	MILITARY PART NO. MARKED ON PACKAGE	MILITARY PART NO. MARKED ON CONNECTOR	MFG'S PART NO. MARKED ON CONNECTOR	FINISH	SHELL MATERIAL	PART NO.
-	-	-	205166-5	$\Delta 10$	STEEL, CLASS G	205166-5
$\Delta 11$	-	-	205166-4	$\Delta 10$	STEEL, CLASS G	205166-4
SUPSD BY 206800-2	-	-	-	CADMIUM PER QQ-P-416	BRASS	205166-2
$\Delta 6$	M24308/4-261F	M24308/4-3F	205560-2	CADMIUM PER QQ-P-416	STEEL, CLASS G	205166-1

THIS DRAWING IS A CONTROLLED DOCUMENT.

DIMENSIONS: INCHES	TOLERANCES UNLESS OTHERWISE SPECIFIED:	DIN C.C.THOMAS 08-DEC-87	APVD F.C.BALLEW 10-DEC-87	NAME	STE TE Connectivity
0 PLC ± -	1 PLC ± -	2 PLC ± -	3 PLC ± .005	PRODUCT SPEC	AMPLIMITE PLUG FOR PIN CONTACTS HI-DENSITY HD-20 CONNECTOR SIZE 3 (25 POSN) SERIES 109
4 PLC ± -	ANGLES ± # 0'30"	APPLICATION SPEC	SIZE	CAGE CODE	DRAWING NO
MATERIAL SEE CALLOUTS	FINISH SEE CALLOUTS	WEIGHT	A1	00779	205166
CUSTOMER DRAWING		SCALE	4:1	SHEET	1 OF 1

X-ON Electronics

Largest Supplier of Electrical and Electronic Components

Click to view similar products for [D-Sub MIL Spec Connectors](#) category:

Click to view products by [TE Connectivity](#) manufacturer:

Other Similar products are found below :

[M85049/50-5F](#) [MDM-21PH046F](#) [850-056-0812](#) [1218697-4](#) [1484349-1](#) [17D25HV](#) [1996840-1](#) [243082-15](#) [1757682-1](#) [17D-E51218-1](#)
[17SDA15S](#) [1883533-1](#) [1883886-1](#) [1883889-1](#) [192900-0377](#) [M24308/8-347](#) [M83513/03-E09C](#) [443961-3](#) [MDM-21PH041F](#) [MDM-](#)
[21PH048F](#) [5-1218949-1](#) [550-031NF1R6K](#) [3-1236089-2](#) [550E001NF1R3J0L](#) [550T001NF1R6K0L](#) [557T283NF5B08](#) [DB121073-56](#)
[DC121073157](#) [443869-3](#) [443869-4](#) [443869-5](#) [550S004NF1R1B0F03](#) [557E283NF1A06](#) [527-019NF0303R2K1F](#) [5-446405-1](#) [550-](#)
[031NF1R2E](#) [550E003M2R9J0F04](#) [550E003M3R9J0F05](#) [550E024M104R9J0](#) [550E024NF102R3J0B](#) [550E039NF1R3J1-02](#)
[550S003M3R9B0F05](#) [550S004M4R7M0F04](#) [550S004NF1R1B1F02](#) [550S008M3F0K0F04](#) [550S086M5R3J0L](#) [550S100NF3F0E](#)
[550T001M2R7E0L](#) [550T001NF1F0B1L](#) [550T001NF1R1K0G](#)