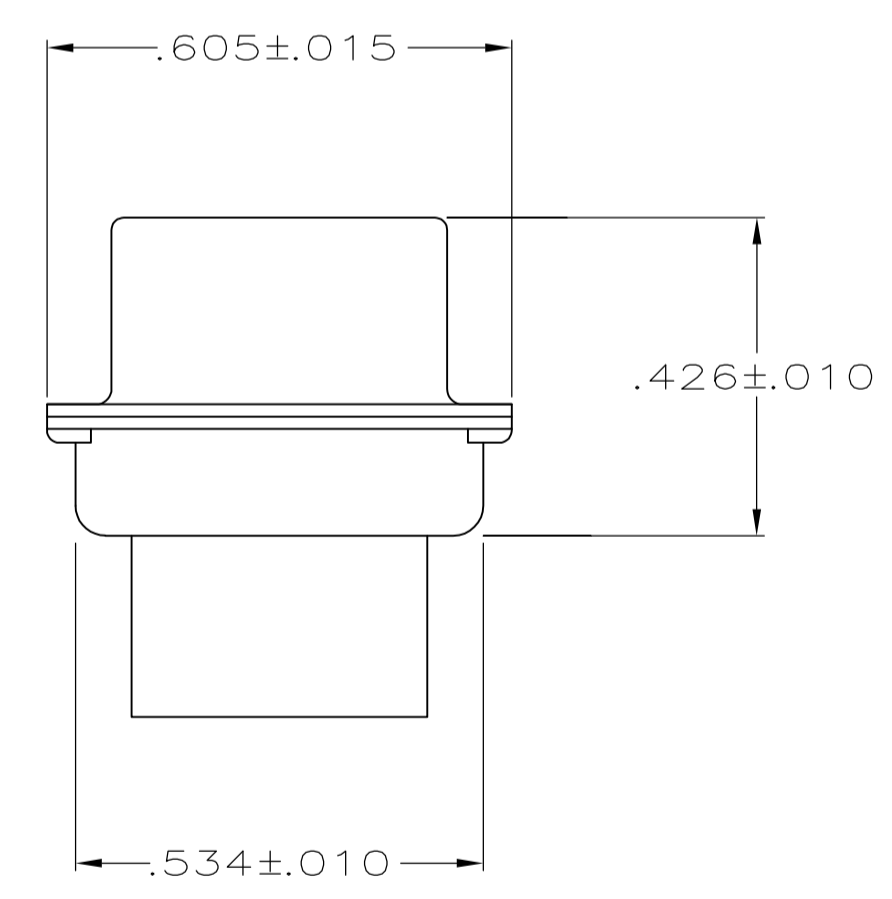
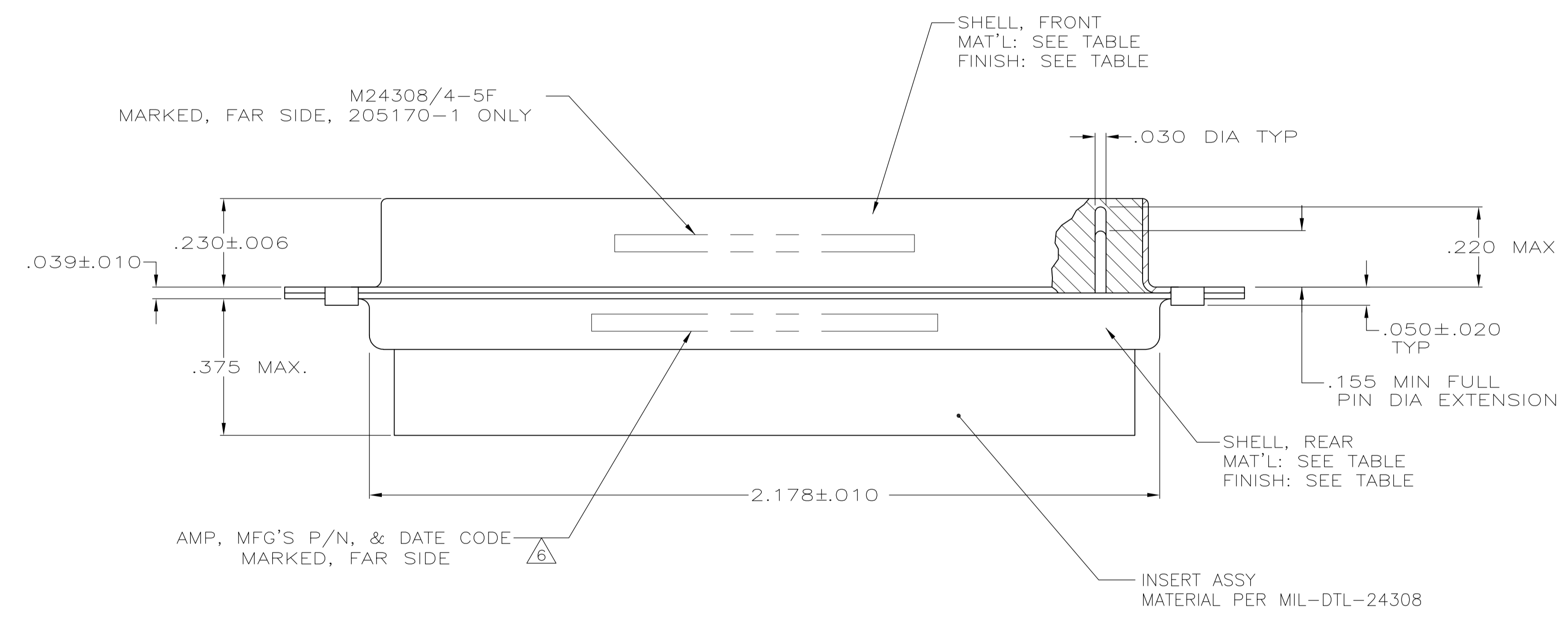
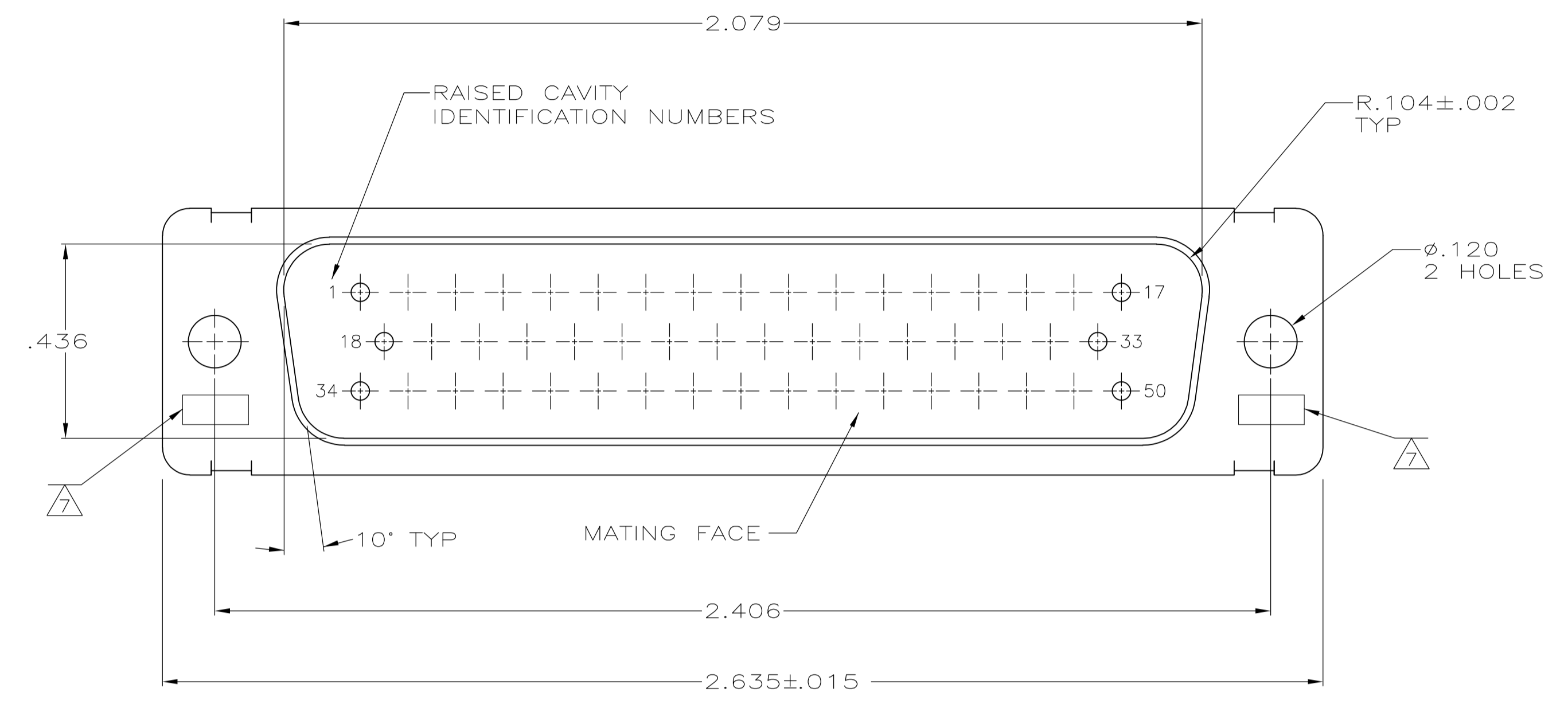


LOC		DIST		REVISIONS			
P	LTR	DESCRIPTION	DATE	DWN	APVD		
S		REV PER ECO-15-016062	10NOV15	KG	CD		

- THIS PLUG IS DESIGNED TO CONFORM TO THE LATEST ISSUE OF MIL-C-24308.
  - MAXIMUM WIRE INSULATION TO BE USED WITH THIS PLUG IS  $\phi$ .068.
  - STAINLESS STEEL RETENTION CLIPS ARE INCLUDED IN INSERTS.
  - PACKAGE MARKED M 24308/4-263F.
  - THIS PLUG WILL ACCEPT SIZE 20 PIN CONTACT M39029/64-369 OR ANY TYCO ELECTRONICS HD-20 PIN CONTACT.
- $\triangle$ 6 MFG,S PART NO. MARKED ON CONNECTOR REPRESENTS KIT NUMBER WITH CONTACTS.  
 $\triangle$ 7 UL/CSA DESIGNATION MARKED IN THIS AREA.  
 $\triangle$ 8 FINISH: BRIGHT TIN PER ASTM-B-545 .000400-.000550 THK OVER COPPER PER AMS2418 .000050 MIN THK.  
 $\triangle$ 9 FRONT SHELL HAS GROUNDING INDENTS, 205170-4 ONLY, (NOT SHOWN).



REMARKS	FINISH	SHELL MAT'L	PART NO.
OBSOLETE	-	$\triangle$ 8	STEEL PER ASTM-A-109 205170-5
	$\triangle$ 9	$\triangle$ 8	STEEL PER ASTM-A-109 205170-4
SUPSD BY 206804-2	-	CADMIUM PER QQ-P-416	BRASS 205170-2
	$\triangle$ 6	CADMIUM PER QQ-P-416	STEEL PER ASTM-A-109 205170-1

THIS DRAWING IS A CONTROLLED DOCUMENT.

DIMENSIONS: INCHES	TOLERANCES UNLESS OTHERWISE SPECIFIED:	DIN C.C.THOMAS 08-DEC-87	APVD F.C.BALLEW 10-DEC-87	NAME
0 PLC ± -	1 PLC ± -	2 PLC ± -	3 PLC ± .005	4 PLC ANGLES ± ± 0'30"
MATERIAL SEE CALLOUTS	FINISH SEE CALLOUTS	WEIGHT	SIZE A1	CAGE CODE 00779
CUSTOMER DRAWING		SCALE 4:1	SHEET 1 OF 1	REV S

**STE** TE Connectivity  
 AMPLIMITE PLUG FOR PIN CONTACTS  
 HI-DENSITY HD-20 CONNECTOR  
 SIZE 5 (50 POSN) SERIES 109

## X-ON Electronics

Largest Supplier of Electrical and Electronic Components

*Click to view similar products for [D-Sub MIL Spec Connectors](#) category:*

*Click to view products by [TE Connectivity](#) manufacturer:*

Other Similar products are found below :

[M85049/50-5F](#) [D38999/24WG11PB-LC](#) [MDM-9SH006A](#) [1218697-4](#) [D38999/26WJ61PC L/C](#) [1484349-1](#) [17D25HV](#) [1996840-1](#) [243082-15](#)  
[1757682-1](#) [17D-E51218-1](#) [17SDA15S](#) [1883533-1](#) [1883886-1](#) [1883889-1](#) [192900-0377](#) [M24308/8-347](#) [M83513/03-E09C](#) [443961-3](#) [5-](#)  
[1218949-1](#) [550-031NF1R6K](#) [3-1236089-2](#) [550E001NF1R3J0L](#) [550T001NF1R6K0L](#) [557T283NF5B08](#) [DB121073-56](#) [DC121073157](#)  
[443869-3](#) [443869-4](#) [443869-5](#) [550S004NF1R1B0F03](#) [557E283NF1A06](#) [527-019NF0303R2K1F](#) [5-446405-1](#) [550-031NF1R2E](#)  
[550E003M2R9J0F04](#) [550E003M3R9J0F05](#) [550E024M104R9J0](#) [550E024NF102R3J0B](#) [550E039NF1R3J1-02](#) [550S003M3R9B0F05](#)  
[550S004M4R7M0F04](#) [550S004NF1R1B1F02](#) [550S008M3F0K0F04](#) [550S086M5R3J0L](#) [550S100NF3F0E](#) [550T001M2R7E0L](#)  
[550T001NF1F0B1L](#) [550T001NF1R1K0G](#) [550T001NF1R3K0G](#)