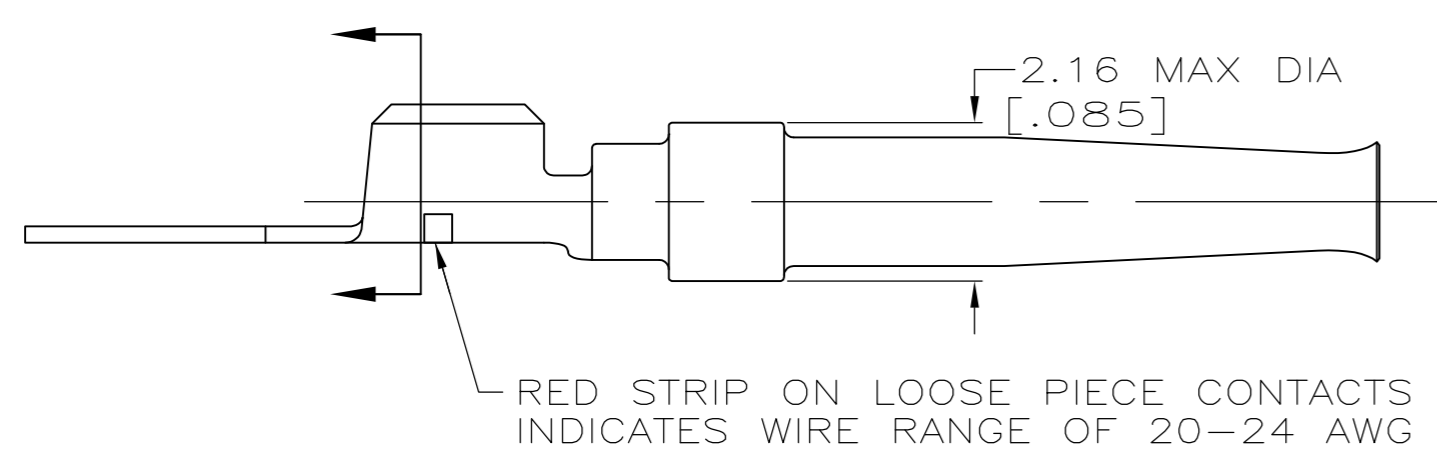
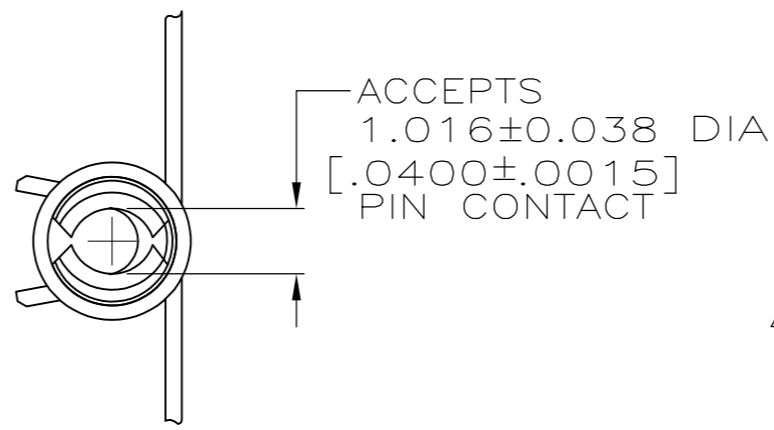
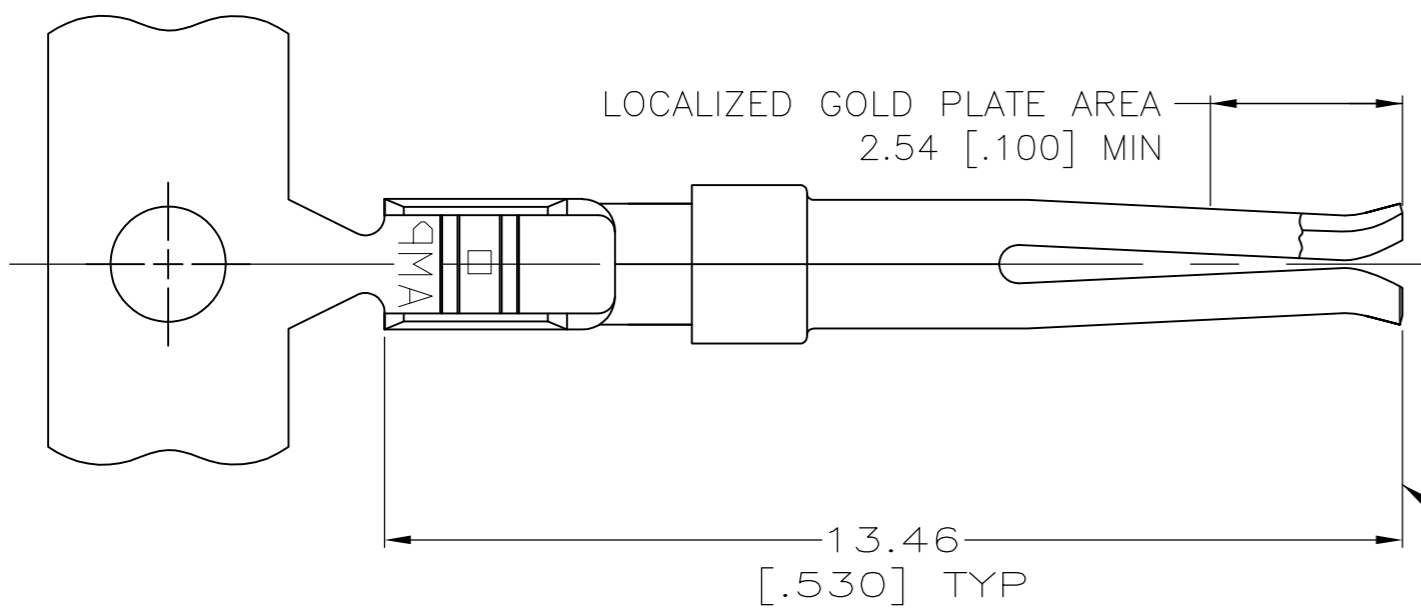


THIS DRAWING IS UNPUBLISHED. RELEASED FOR PUBLICATION
 © COPYRIGHT - By - ALL RIGHTS RESERVED.

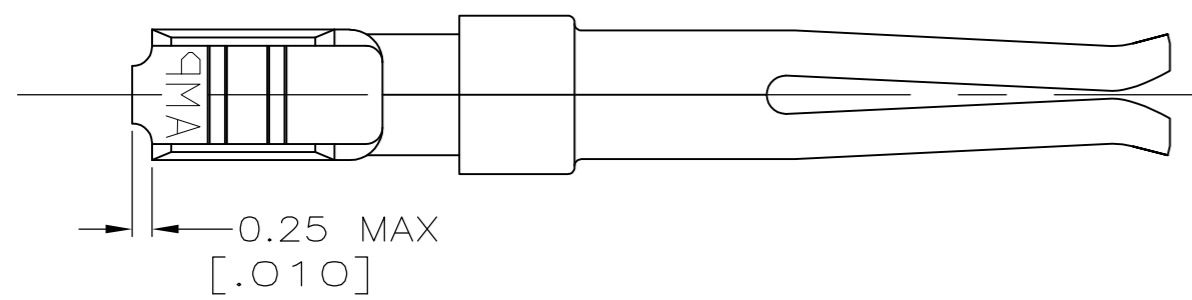
LOC		DIST		REVISIONS			
P	LTR	DESCRIPTION		DATE	DWN	APVD	
GP	00	Z1	REVISED PER ECO-11-004835		11MAR11	RK	HMR



MATING END

- 1 2.54µm [.000100] MIN TIN OR TIN-LEAD OVER 1.27µm [.000050] MIN NICKEL.
- 2 PLATED WITH 0.76µm [.000030] GOLD ON INSIDE OF LOCALIZED GOLD PLATE AREA, GOLD FLASH ON REMAINDER, ALL OVER 1.27µm [.000050] NICKEL UNDERPLATE.
-OR-
GOLD FLASH OVER PALLADIUM-NICKEL 0.76µm [.000030] TOTAL ON INSIDE OF LOCALIZED GOLD PLATE AREA, GOLD FLASH ON REMAINDER, ALL OVER 1.27µm [.000050] NICKEL UNDERPLATE.
- 3 GOLD PLATING PER MIL-G-45204.
TIN PLATING PER MIL-T-10727.
NICKEL PLATING PER QQ-N-290.
- 4 GOLD FLASH ON INSIDE OF LOCALIZED GOLD PLATE AREA, GOLD FLASH ON REMAINDER, ALL OVER 0.76µm [.000030] NICKEL UNDERPLATE.
- 5 GOLD FLASH FOR A LENGTH OF 2.54 [.100] MIN FROM MATING END, 2.54µm [.000100] MIN TIN PLATED WIRE BARRELS, ALL OVER 0.76µm [.000030] MIN NICKEL.
- 6 0.76µm [.000030] MIN GOLD FOR A LENGTH OF 2.54 [.100] MIN FROM MATING END, 2.54µm [.000100] MIN TIN PLATED WIRE BARRELS, ALL OVER 1.27µm [.000050] MIN NICKEL.

SUPERSEDED BY 205201-5	SMALL PACK	SEE DETAIL C	NO	2	2-205201-8
OBSELETE	STANDARD	-	YES	6	2-205201-5
SUPERSEDED BY 205201-6	STANDARD	-	YES	5	2-205201-2
SUPERSEDED BY 205201-6	STANDARD	-	YES	1	1-205201-4
	STANDARD	SEE DETAIL C	NO	4	205201-7
	STANDARD	-	YES	4	205201-6
	STANDARD	SEE DETAIL C	NO	2	205201-5
	STANDARD	-	YES	2	205201-3
PACKAGING TYPE	LOOSE PIECE	FOR MINI-APPLICATOR	FINISH 3	PART NUMBER	



DETAIL C

THIS DRAWING IS A CONTROLLED DOCUMENT.

DIMENSIONS: mm [INCHES]	TOLERANCES UNLESS OTHERWISE SPECIFIED:	DWN M.BINNER 16 FEB 96	
	0 PLC ± -	CHK R.STONE 19 FEB 96	
	1 PLC ± -	APVD L.FIX 19 FEB 96	
	2 PLC ± 0.13 [.005]	NAME	
	3 PLC ± -	PRODUCT SPEC	SOCKET CONTACT, SIZE 20 DF, 20-24 AWG
	4 PLC ± -	APPLICATION SPEC	
	ANGLES ± -		SIZE CAGE CODE DRAWING NO RESTRICTED TO
MATERIAL COPPER ALLOY PER QQ-B-750	FINISH SEE TABLE	WEIGHT -	A2 00779 C=205201
CUSTOMER DRAWING		SCALE 10:1	SHEET 1 OF 1 REV Z1

X-ON Electronics

Largest Supplier of Electrical and Electronic Components

Click to view similar products for [D-Sub Contacts](#) category:

Click to view products by [TE Connectivity](#) manufacturer:

Other Similar products are found below :

[173112-0723](#) [173112-0393](#) [173112-0389](#) [173112-0750](#) [173112-0912](#) [D02-22-22P-10000](#) [D02-22-26S-10000](#) [FMP009P104](#) [FMP010P104](#)
[FMP010S104](#) [FMP016P104](#) [FMP051S110](#) [FMX006S128B](#) [131A11039X](#) [131J21029X](#) [132J22039X](#) [132A11029X](#) [132A11049X](#)
[132C12029X](#) [RMPIR01S02E2RLF](#) [DM53744-1](#) [1757912-1](#) [188582-000](#) [162A11839X](#) [162A11889X](#) [1757913-1](#) [FMP006S110](#)
[FMP008P104](#) [FMP009S104](#) [FMP139S115](#) [212558-1](#) [D02-22-26P-10000](#) [L17DM53744217](#) [030-1955-000](#) [030-50634](#) [053744-0098](#)
[601064N004](#) [601098N003](#) [6-745288-2](#) [D-610-10CS2962](#) [86303057NLF](#) [DM537425001NCLF](#) [173112-0045](#) [162A11819X](#) [1731120397](#) [40-](#)
[9854MP](#) [1-208778-5](#) [1-745288-3](#) [173112-0455](#) [121A05329A](#)