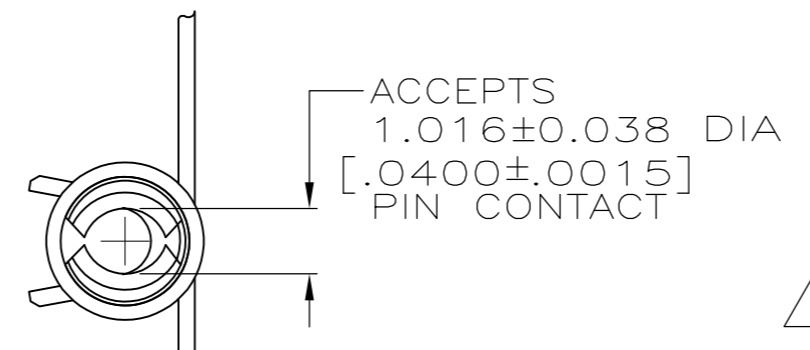
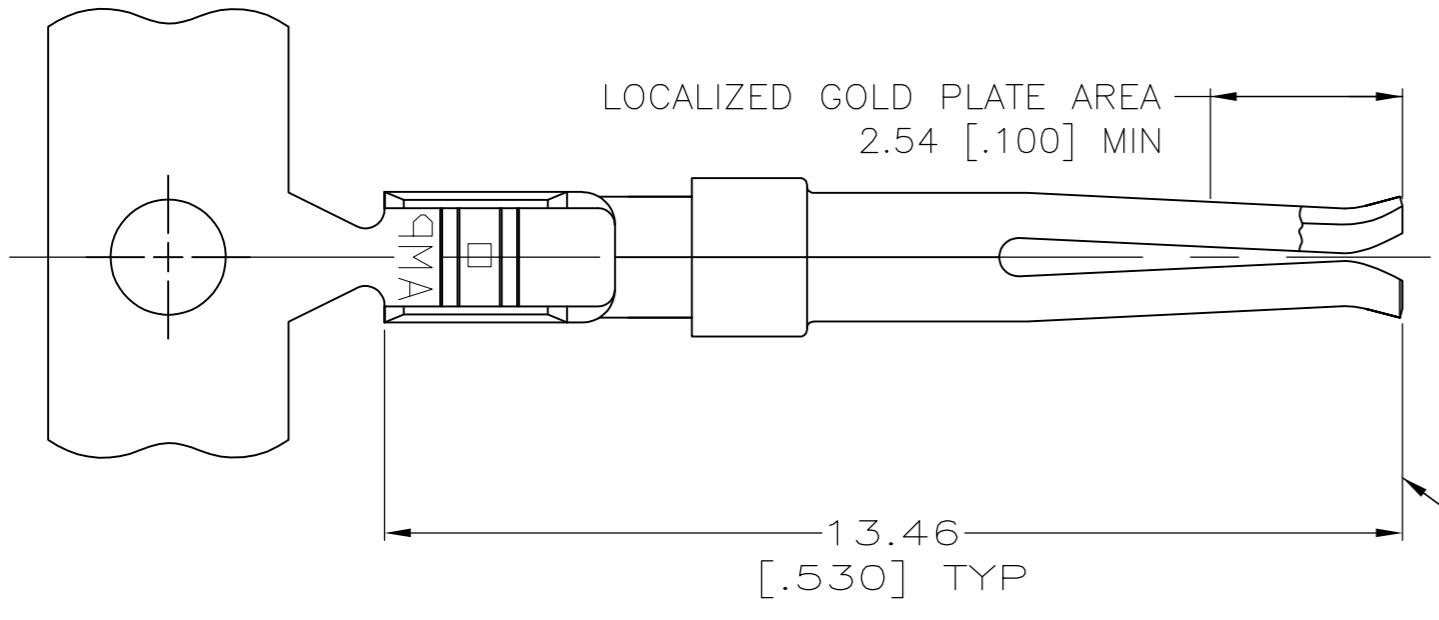
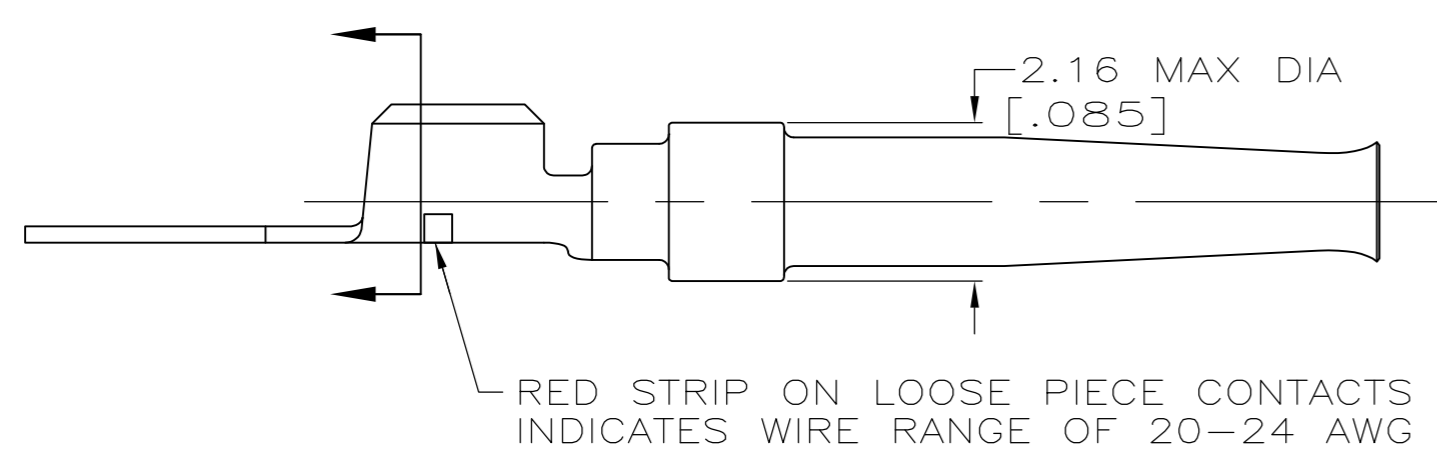


THIS DRAWING IS UNPUBLISHED. RELEASED FOR PUBLICATION
 © COPYRIGHT - By - ALL RIGHTS RESERVED.

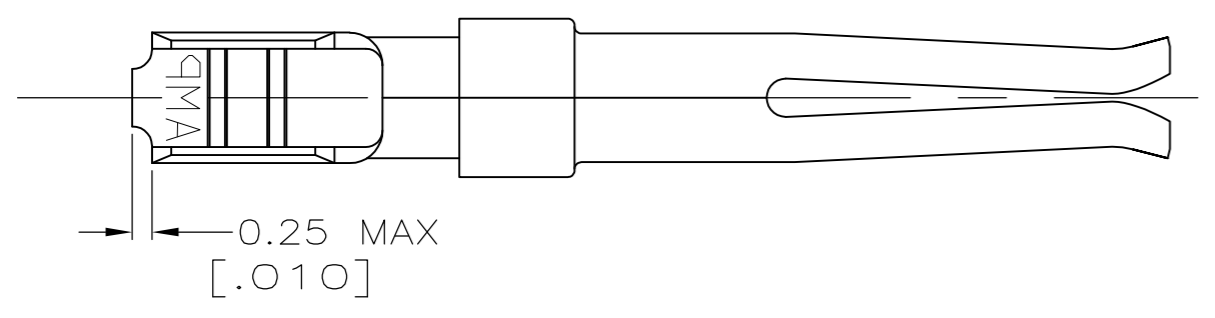
LOC		DIST		REVISIONS			
P	LTR	DESCRIPTION		DATE	DWN	APVD	
GP	00	Z1	REVISED PER ECO-11-004835		11MAR11	RK	HMR



- 1 2.54µm [.000100] MIN TIN OR TIN-LEAD OVER 1.27µm [.000050] MIN NICKEL.
- 2 PLATED WITH 0.76µm [.000030] GOLD ON INSIDE OF LOCALIZED GOLD PLATE AREA, GOLD FLASH ON REMAINDER, ALL OVER 1.27µm [.000050] NICKEL UNDERPLATE.
-OR-
GOLD FLASH OVER PALLADIUM-NICKEL 0.76µm [.000030] TOTAL ON INSIDE OF LOCALIZED GOLD PLATE AREA, GOLD FLASH ON REMAINDER, ALL OVER 1.27µm [.000050] NICKEL UNERPLATE.
- 3 GOLD PLATING PER MIL-G-45204.
TIN PLATING PER MIL-T-10727.
NICKEL PLATING PER QQ-N-290.
- 4 GOLD FLASH ON INSIDE OF LOCALIZED GOLD PLATE AREA, GOLD FLASH ON REMAINDER, ALL OVER 0.76µm [.000030] NICKEL UNDERPLATE.
- 5 GOLD FLASH FOR A LENGTH OF 2.54 [.100] MIN FROM MATING END, 2.54µm [.000100] MIN TIN PLATED WIRE BARRELS, ALL OVER 0.76µm [.000030] MIN NICKEL.
- 6 0.76µm [.000030] MIN GOLD FOR A LENGTH OF 2.54 [.100] MIN FROM MATING END, 2.54µm [.000100] MIN TIN PLATED WIRE BARRELS, ALL OVER 1.27µm [.000050] MIN NICKEL.



SUPERSEDED BY 205201-5	SMALL PACK	SEE DETAIL C	NO	2	2-205201-8
OBSELETE	STANDARD	-	YES	6	2-205201-5
SUPERSEDED BY 205201-6	STANDARD	-	YES	5	2-205201-2
SUPERSEDED BY 205201-6	STANDARD	-	YES	1	1-205201-4
	STANDARD	SEE DETAIL C	NO	4	205201-7
	STANDARD	-	YES	4	205201-6
	STANDARD	SEE DETAIL C	NO	2	205201-5
	STANDARD	-	YES	2	205201-3
PACKAGING TYPE	LOOSE PIECE	FOR MINI-APPLICATOR	FINISH 3	PART NUMBER	



DETAIL C

THIS DRAWING IS A CONTROLLED DOCUMENT.		DWN M.BINNER 16 FEB 96		
DIMENSIONS: mm [INCHES]		CHK R.STONE 19 FEB 96		
TOLERANCES UNLESS OTHERWISE SPECIFIED:		APVD L.FIX 19 FEB 96	NAME	
0 PLC ± -	1 PLC ± -	PRODUCT SPEC	SOCKET CONTACT, SIZE 20 DF, 20-24 AWG	
2 PLC ± 0.13 [.005]	3 PLC ± -	APPLICATION SPEC	SIZE A2	CAGE CODE 00779
4 PLC ± -	ANGLES ± -		DRAWING NO C=205201	RESTRICTED TO -
MATERIAL COPPER ALLOY PER QQ-B-750	FINISH SEE TABLE	WEIGHT -	SCALE 10:1	SHEET 1 OF 1
CUSTOMER DRAWING			REV Z1	

X-ON Electronics

Largest Supplier of Electrical and Electronic Components

Click to view similar products for [D-Sub Contacts](#) category:

Click to view products by [TE Connectivity](#) manufacturer:

Other Similar products are found below :

[D02-22-26S-10000](#) [8656352067LF](#) [131A15029X](#) [132A11019X](#) [132J22039X](#) [132A11029X](#) [132A11049X](#) [1757912-1](#) [188582-000](#)
[162A11889X](#) [1757913-1](#) [212558-1](#) [030-1955-000](#) [053744-0098](#) [053744-0099](#) [053745-0105](#) [053745-0111](#) [601098N003](#) [86303057NLF](#)
[131A11019X](#) [162A11819X](#) [40-9854MP](#) [1-208778-5](#) [FC120N2](#) [MC7526D/AA](#) [MC8122D/AA](#) [FC4010D-15](#) [FC4006D](#) [121A05329A](#)
[164C16669X](#) [86566620064LF](#) [C330-8997-101H](#) [131A13019X](#) [DLS3XS5AK40X](#) [09692825723](#) [030-1954-000](#) [L17DM53744207](#)
[L17RRD1M11400](#) [030-1952-000](#) [1655496](#) [030-1953-000](#) [030-1953-030](#) [132C11039X](#) [132J15019X](#) [132C15019X](#) [132C11019X](#)
[131A10029X](#) [8638PSC2006LF](#) [8656453067LF](#) [86566520064LF](#)