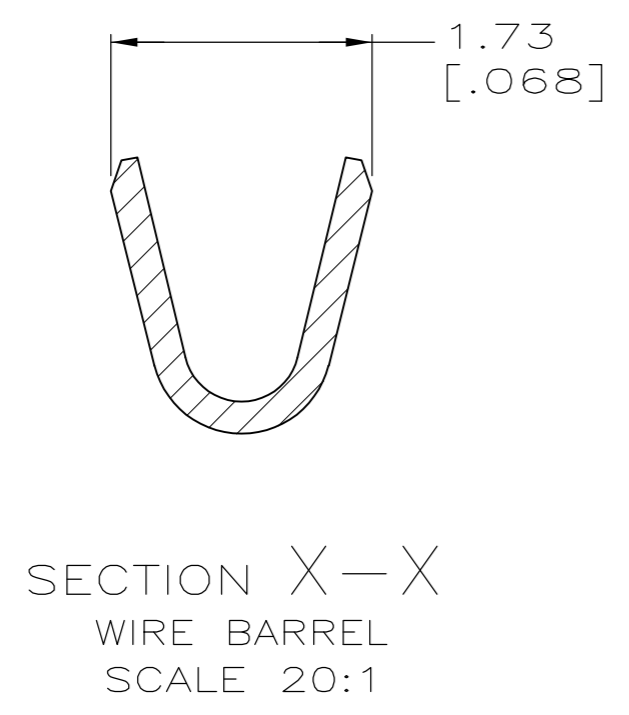
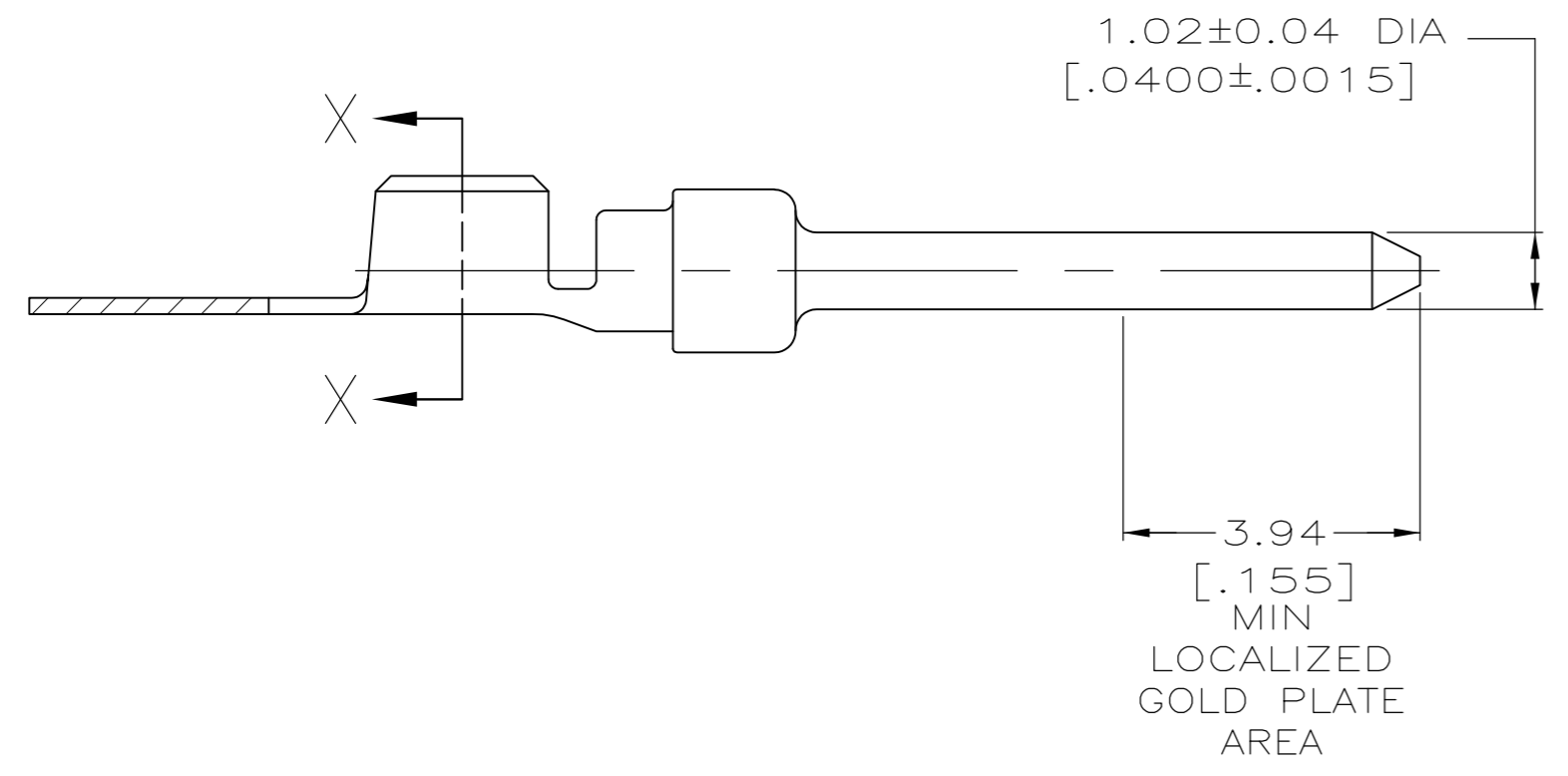
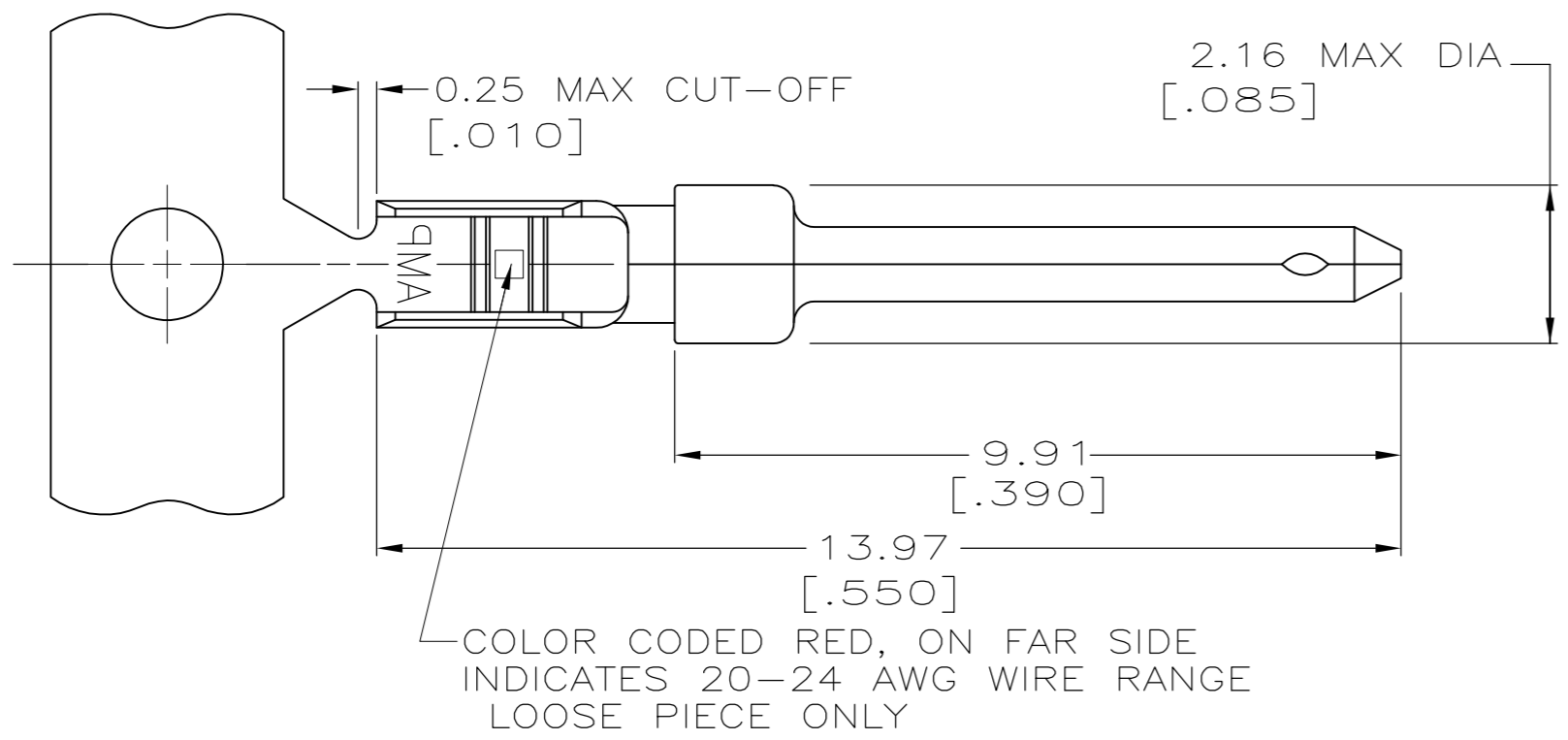


THIS DRAWING IS UNPUBLISHED. RELEASED FOR PUBLICATION
 © COPYRIGHT - By - ALL RIGHTS RESERVED.

LOC		DIST		REVISIONS			
P	LTR	DESCRIPTION		DATE	DWN	APVD	
GP	00	BC1	2	REVISED PER ECO-11-004835	11MAR11	RK HMR	



- 1 FOR MINI-APPLICATOR.
- 2 FOR HAND TOOL USE ONLY.
- 3 FOR STANDARD APPLICATOR PART #566051 & #566110 ONLY.
- 4. WIRE RANGE OF 20-24 AWG, .068 MAX INSULATION DIA.
- 5. GOLD PLATING MAY NOT APPEAR ON CARRIER STRIP.
- 6 GOLD PLATING PER MIL-G-45204. NICKEL PLATING PER QQ-N-290. TIN PLATING PER MIL-T-10727.
- 7 GOLD PLATED IN LOCALIZED GOLD PLATE AREA AS FOLLOWS:
 0.76µm [.000030] MIN GOLD IN MATED AREA, GOLD FLASH ON REMAINDER OF CONTACT, ALL OVER
 1.27µm [.000050] MIN NICKEL UNDERPLATE.
 OR
 GOLD FLASH OVER
 PALLADIUM-NICKEL PLATE, 0.76µm [.000030] MIN TOTAL IN MATED AREA, GOLD FLASH ON REMAINDER OF CONTACT. ALL OVER
 1.27µm [.000050] MIN NICKEL UNDERPLATE.
- 8 PLATED WITH GOLD FLASH OVER 0.76µm [.000030] MIN NICKEL.
- 9 PLATED WITH 2.54µm-5.08µm [.000100-.000200] TIN.
- 10 PLATED WITH GOLD FLASH IN LOCALIZED GOLD PLATE AREA, TIN PLATED WIRE BARREL, OVER 0.76µm [.000030] NICKEL.
- 11 GOLD PLATED IN LOCALIZED GOLD PLATED AREA, 0.76µm [.000030] GOLD IN MATED AREA, TIN PLATED WIRE BARREL, OVER 1.27µm [.000050] NICKEL.

SUPERSEDED BY 205202-2	STANDARD	11	1	STRIP	2-205202-5
SUPERSEDED BY 205202-6	STANDARD	10	1	STRIP	2-205202-2
SUPERSEDED BY 205202-6	STANDARD	9	1	STRIP	1-205202-4
	STANDARD	8	2	LOOSE PIECE	205202-7
	STANDARD	8	1	STRIP	205202-6
OBSOLETE	STANDARD	7	2	LOOSE PIECE	205202-4
	STANDARD	7	1	STRIP	205202-2
PACKAGING TYPE	FINISH	USE	TYPE	PART NUMBER	

THIS DRAWING IS A CONTROLLED DOCUMENT.

DWN S. WELDON 9-9-86	 TE Connectivity
CHK C. RICHARD 9-9-86	
APVD V. KUMAR 9-10-86	
PRODUCT SPEC	
MATERIAL BRASS PER MIL-C-50	NAME PIN CONTACT, SIZE 20 DF, 20-24 AWG, AMPLIMITE
DIMENSIONS: mm [INCHES]	APPLICATION SPEC 114-10000
TOLERANCES UNLESS OTHERWISE SPECIFIED:	SIZE A2 CAGE CODE 00779 C=205202
0 PLC ± -	WEIGHT -
1 PLC ± -	SCALE 10:1 SHEET 1 OF 1
2 PLC ± 0.13 [.005]	REV BC1
3 PLC ± -	
4 PLC ± -	
ANGLES ± -	
FINISH SEE TABLE 6	

X-ON Electronics

Largest Supplier of Electrical and Electronic Components

Click to view similar products for [D-Sub Contacts](#) category:

Click to view products by [TE Connectivity](#) manufacturer:

Other Similar products are found below :

[D02-22-26S-10000](#) [8656352067LF](#) [131A15029X](#) [132A11019X](#) [132J22039X](#) [132A11029X](#) [132A11049X](#) [132A12059X](#) [1757912-1](#) [188582-000](#) [162A11889X](#) [1757913-1](#) [212558-1](#) [030-1955-000](#) [053744-0098](#) [053744-0099](#) [053745-0105](#) [053745-0111](#) [601098N003](#) [86303057NLF](#)
[131A11019X](#) [162A11819X](#) [40-9854MP](#) [1-208778-5](#) [FC120N2](#) [MC7526D/AA](#) [MC8122D/AA](#) [FC4010D-15](#) [FC4006D](#) [121A05329A](#)
[164C16669X](#) [86566620064LF](#) [131A13019X](#) [DLS3XS5AK40X](#) [09692825723](#) [030-1954-000](#) [L17DM53744207](#) [L17RRD1M11400](#) [030-1952-000](#) [1655496](#) [030-1953-000](#) [030-1953-030](#) [132C11039X](#) [132J15019X](#) [132C15019X](#) [132A10039X](#) [131A10029X](#) [8638PSC2006LF](#)
[8656453067LF](#) [86566520064LF](#)