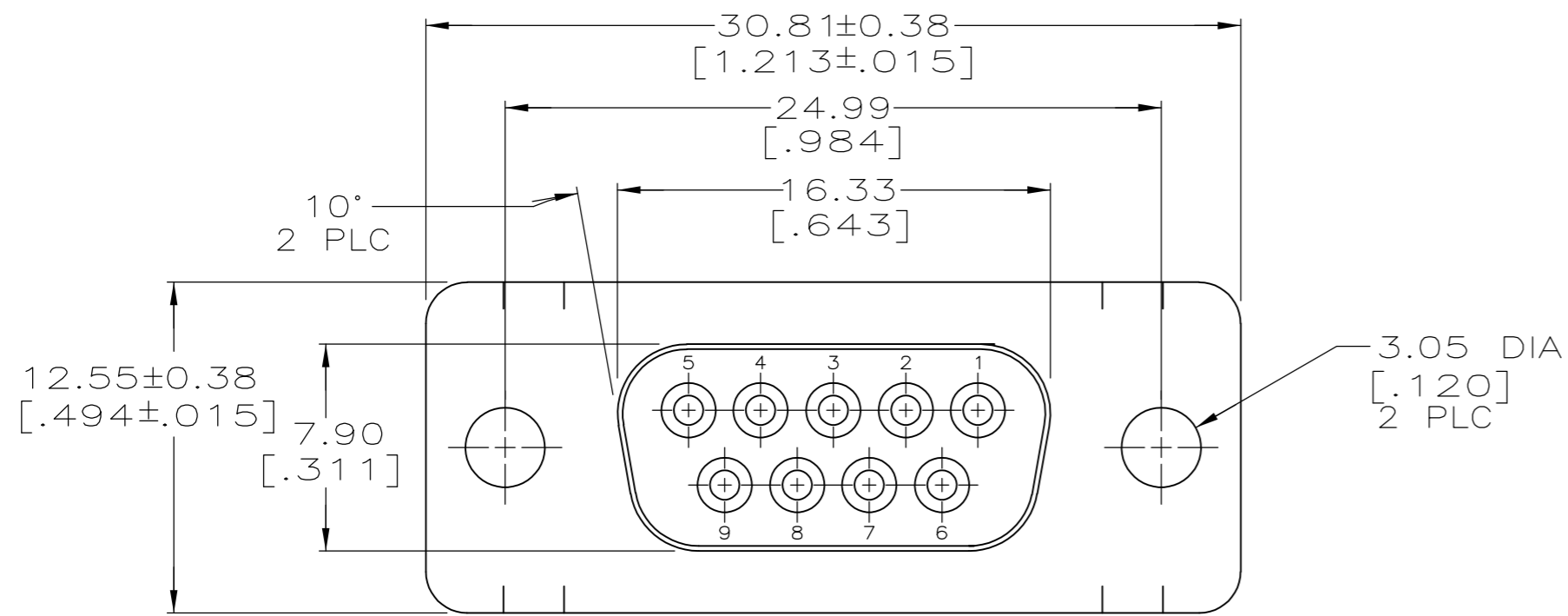
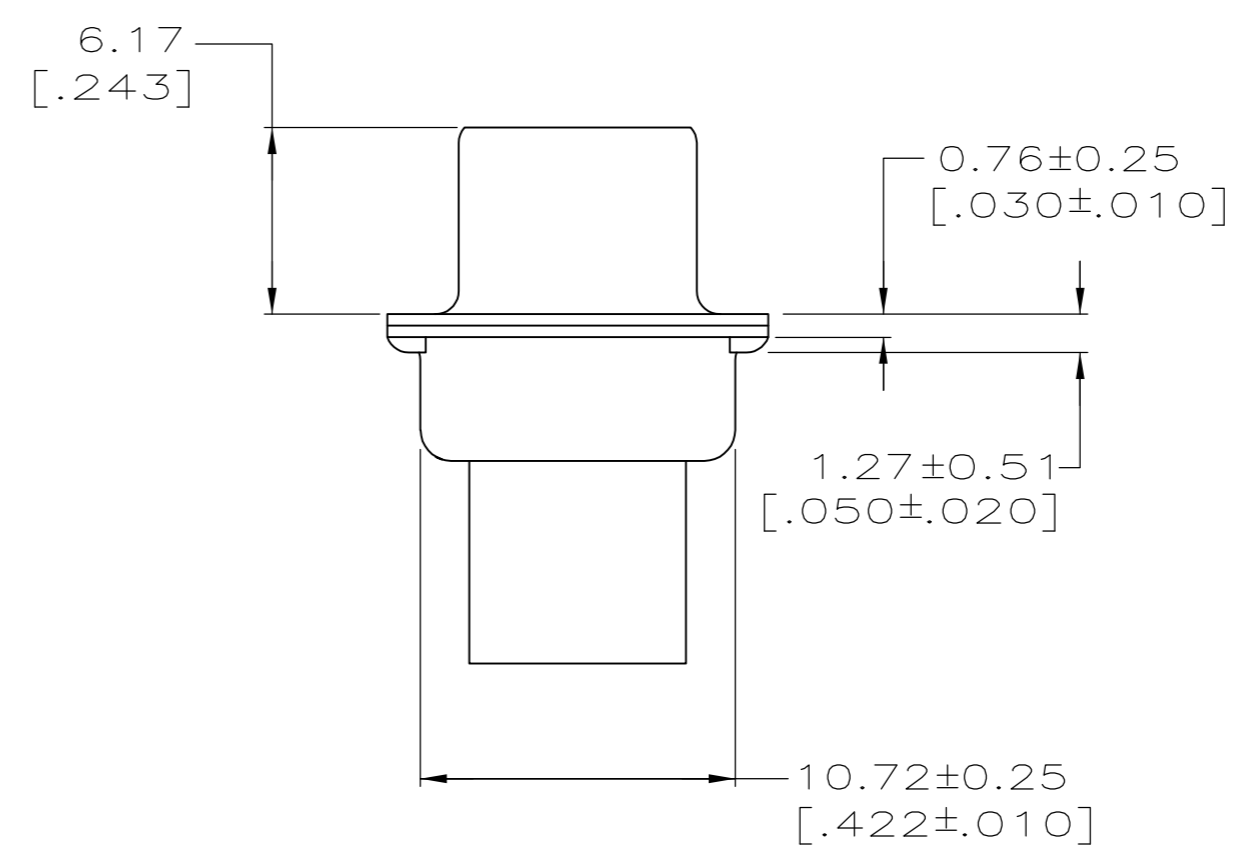
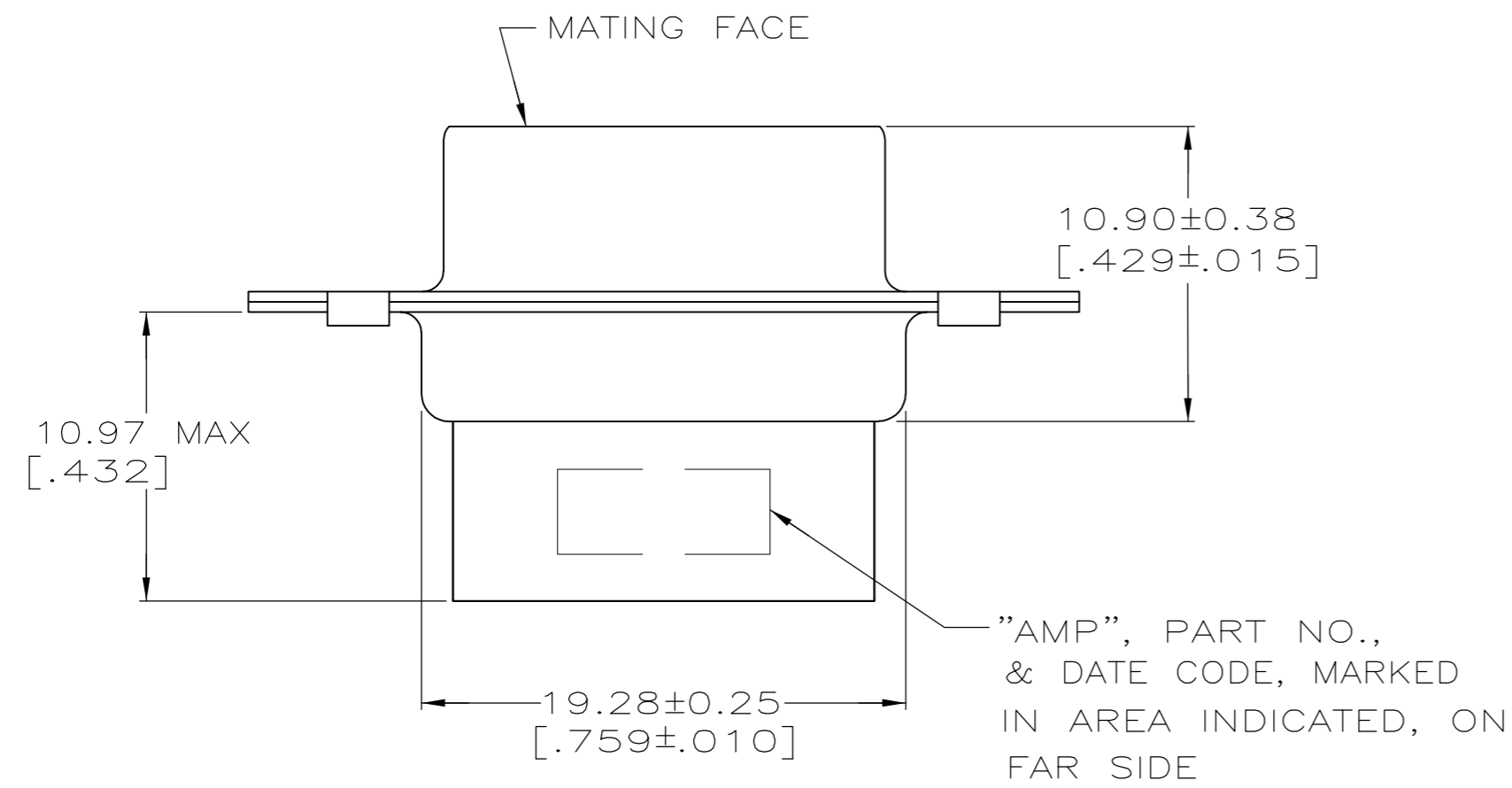


THIS DRAWING IS UNPUBLISHED. RELEASED FOR PUBLICATION
 © COPYRIGHT - By - ALL RIGHTS RESERVED.

LOC		DIST		REVISIONS			
P	LTR	DESCRIPTION	DATE	DWN	APVD		
GP	00	M	REVISED PER ECO-14-011808	09AUG2014	AP	SB	



- 1 CONNECTOR ACCEPTS SIZE 20 DF SOCKET CONTACTS, RETENTION TINES ARE AN INTEGRAL PART OF INSERT.
- 2 CONNECTOR COMPLIES WITH 108-40005 WHERE APPLICABLE.
- 3 MOLDED PARTS: GLASS-FILLED PBT OR GLASS-FILLED NYLON, UL94V-0 RATED. COLOR: BLACK
- 4 SHELLS: STEEL PER ASTM A109.
- 5 ZINC PLATED PER ASTM B633; TYPE II; CLASS SC1; YELLOW CHROMATE.
- 6 TIN PLATED PER MIL-T-10727 OVER COPPER PER MIL-C-14550.
- 7 CHROME PLATED.
- 8 ZINC PLATED .000200-.000400 THICK, YELLOW TRIVALENT CHROMIUM CHROMATE COATING.



PACKAGING TYPE	SHELL FINISH	PART NO
STANDARD	8	205203-8
OBSOLETE SMALL PACK	5	205203-6
OBSOLETE STANDARD	6	205203-3
OBSOLETE STANDARD	5	205203-1

THIS DRAWING IS A CONTROLLED DOCUMENT.		DWN S. WELDON 7-19-85	TE TE Connectivity	
DIMENSIONS: INCHES		CHK J. GERACE 7-29-85		
TOLERANCES UNLESS OTHERWISE SPECIFIED:		APVD V. KUMAR 7-31-85	NAME	
0 PLC ± -		PRODUCT SPEC	RCPT CONNECTOR, SIZE 1, 9 POSN, AMPLIMITE, HDP	
1 PLC ± -		APPLICATION SPEC	SIZE	CAGE CODE
2 PLC ± 0.13 [.005]			A2	00779
3 PLC ± -			SCALE	DRAWING NO
4 PLC ± -			4:1	C=205203
ANGLES ± -		WEIGHT	SHEET	REV
FINISH			1 of 1	M
SHELLS: SEE TABLE		CUSTOMER DRAWING		

205203

X-ON Electronics

Largest Supplier of Electrical and Electronic Components

Click to view similar products for [D-Sub Standard Connectors](#) category:

Click to view products by [TE Connectivity](#) manufacturer:

Other Similar products are found below :

[56F711-015](#) [012-9507-004](#) [LV242999-142T12](#) [015-0341-000](#) [015-0372-005](#) [015-0372-008](#) [015-8755-001](#) [020419-0104](#) [012-0467-000](#) [012-0515-000](#) [012-9507-034](#) [012-9507-114](#) [020745-0008](#) [609-25P](#) [M24308/2-23Z](#) [CT2-14S-2PCA34](#) [CT2-18-11PCAU](#) [CT6-10SL-3SC](#) [CT6-10SL-4SC](#) [CT6-14S-2SC](#) [CT6E14SA7SC](#) [M83513/01-FC](#) [M83723/76W24619 L/C](#) [M85049/48-3-2F](#) [6STD09PCM99B70X](#) [6STD09SCM99B30X](#) [6STD09SCT99S40X](#) [6STD15PCT99S40X](#) [6STD15SCM99B30X](#) [6STD15SCT99S40X](#) [6STF09PCM05B70X](#) [7-135760-9](#) [MC11E-10-6SN](#) [747552-3](#) [MD1-21PS](#) [MDM-15SCBRM7-F222](#) [MDM96517-699](#) [MDM96521-744](#) [MDVB1-21SL1](#) [MIK0-1-7SH003](#) [MIKQ6-7SH076](#) [MIKQ7-7PH077](#) [MIKQ7-7PH11](#) [MIKQ7-7PH32](#) [MJSV-28SL61](#) [MKJ4A1F14-55S](#) [8-135760-3](#) [8STD09PCM99B30X](#) [PG-KV/PV-16-GROM-SEALING](#) [GDA15P](#)