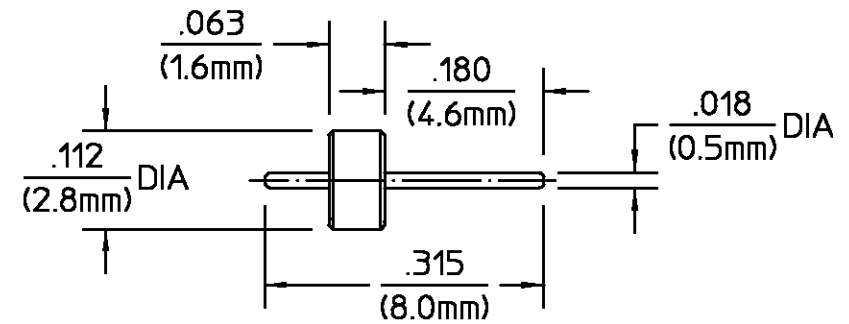


REVISIONS			
REV	DESCRIPTION	DATE	APPROVED
01 <sub>1</sub>	REVISED	02/23/95	<i>AD</i>



HOUSING	STAINLESS STEEL PER ASTM-A484 AND ASTM-A582, TYPE 303	PASSIVATED PER ASTM-A380
DIELECTRIC	TFE FLUOROCARBON PER ASTM-D-1457	N/A
CENTER CONTACT	BERYLLIUM COPPER PER ASTM B 196, ALLOY C17300, CONDITION H	GOLD PLATE PER MIL-G-45204
CONTACT EXT BUSHING	IRON-NICKEL-COBALT ALLOY PER MIL-I-23011 (KOVAR)	GOLD PLATE PER MIL-G-45204
HERMETIC SEAL	GLASS BEAD	N/A
GASKET	CONDUCTIVE SILVER/SILICONE ELASTOMERS	N/A

ELECTRICAL	MECHANICAL	ENVIRONMENTAL
Nominal Impedance (Ohms) <u>50</u>	Interface Dimensions <u>MIL-STD-348</u>	Temperature Rating <u>-65°C To +165°C</u>
Frequency Range (GHz) <u>DC - 18</u>	<u>FIG 310.2</u>	Vibration - MIL-STD-202, Method 204, Condition D, 20G's
VSWR <u>1.06 + (.010 F(GHz))</u>	Recommended Mating Torque <u>N/A</u>	Shock - MIL-STD-202, Method 107, Condition B
Insertion Loss (dB MAX) <u>.04 √F(GHz)</u>	Mating Characteristics:	Thermal shock MIL-STD-202, Method 107, Condition B
RF Leakage (dB MIN) <u>-(100 - F(GHz))</u>	Insertion (MAX Lbs) <u>3.0</u>	Except High Temp <u>115°C</u>
Corona, 70,000 Ft (VRMS MIN) <u>333</u>	Withdrawal (MIN Oz) <u>1.0</u>	Moisture Resistance - MIL-STD-202, Method 106
Dielectric Withstanding Voltage (VRMS MIN) <u>1000 @ sea level</u>	Force To Engage (In/Lbs MAX) <u>2.0</u>	Corrosion - MIL-STD-202, Method 101, Condition B, 5% salt spray
Contact Resistance (Milliohms MAX)	Force To Disengage (In/Lbs MAX) <u>2.0</u>	Leak Test - MIL-STD-202, Method 112, Condition C, Procedure 1, <u>1 X 10<sup>-8</sup> CC/SEC</u>
Center Contact <u>10.0</u>	Center Contact Captivation	
Outer Contact <u>2.0</u>	Axial <u>6.0 Lbs</u>	
RF High Potential (VRMS MIN @ 5 MHz) <u>667 @ sea level</u>	Radial <u>N/A</u>	
I.R.(Megohms) <u>5000</u>	Weight (Grams) <u>T.B.D.</u>	

COMPONENT	MATERIAL	FINISH
UNLESS OTHERWISE SPECIFIED DIMENSIONS ARE IN INCHES TOLERANCE ON	DRAWN BY <u>BB</u> DATE <u>7/1/94</u>	<b>AMP Incorporated</b> 140 Fourth Avenue Waltham, MA 02451-7599
FRAC. DEC. ANGLES	CHECKED BY	
<u>± 1/64 ± .005 ± °</u>	APPD BY	
These drawings and specifications are the property of Omni Spectra Incorporated and shall not be reproduced or copied or used in whole or in part as the basis for the manufacture or sale of item(s) without written permission.	USE ASS'Y PROCEDURE	<b>AMP</b> TITLE OSM TWO-HOLE FLANGE MOUNT JACK RECEPTACLE WITH EMI/RFI GASKET
	408-04866 NO. AP. (20-741)	SIZE <u>B</u> CODE IDENT NO. <u>26805</u> 2052-3357-02 REV <u>01<sub>1</sub></u> SCALE <u>5:1</u> SHEET 1 OF 1

CUSTOMER DRAWING

AMP PART # 1052639-1  
SHEET 1 OF 1 REV A

## X-ON Electronics

Largest Supplier of Electrical and Electronic Components

*Click to view similar products for [RF Connectors / Coaxial Connectors](#) category:*

*Click to view products by [TE Connectivity](#) manufacturer:*

Other Similar products are found below :

[R125315120](#) [8915-1511-000](#) [89674-0827](#) [5916-1103-603](#) [6-0001-3](#) [6001-7071-019](#) [6002-7051-003](#) [6002-7551-202](#) [6059674-1](#) [619550-1](#)  
[630059-000](#) [M39012/25-0021](#) [M39012/79-3008](#) [M39030/3-01N](#) [M39030/3-03N](#) [M3933/25-36N](#) [6500-7071-046](#) [M83723/72W24576](#)  
[M83723/72W2457N](#) [6769](#) [CX050L2AQ](#) [7002-1541-010](#) [7002-1572-002](#) [7003-1572-002](#) [7010-1511-000](#) [7029-1511-060](#) [7101-1541-010](#)  
[7101-1571-002](#) [7105-1521-002](#) [7145-1521-002](#) [7209-1511-011](#) [7210-1511-015](#) [7210-1511-019](#) [7225-1512-050](#) [7242-1511-000](#) [73137-5015](#)  
[73251-0111](#) [73251-0672](#) [7325-1512-000](#) [73276-1501](#) [73366-0013](#) [73404-2300](#) [73413-6080](#) [73415-5721](#) [7405-1521-005](#) [7405-1521-802](#)  
[7406-1521-005](#) [804S01D04M040](#) [8145-1521-002](#) [81590](#)