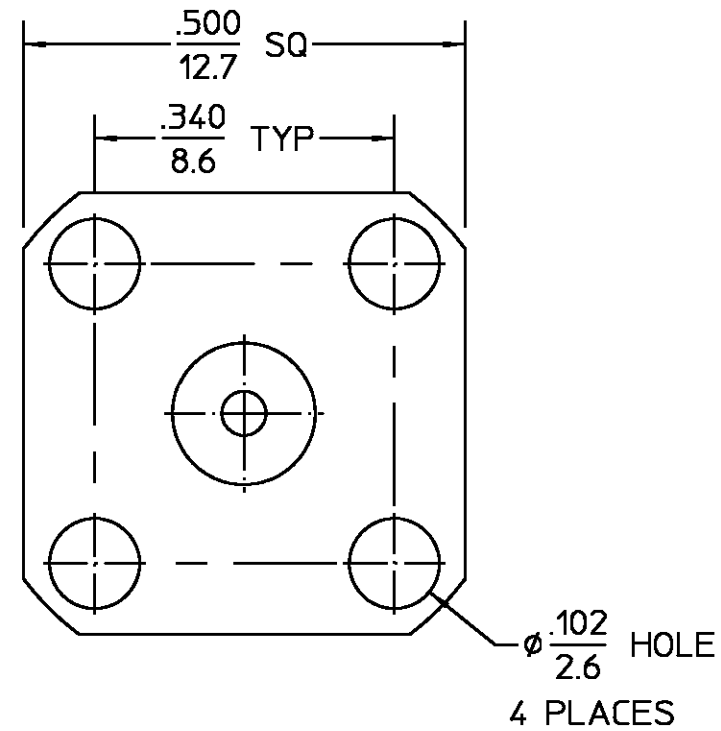


REVISIONS			
REV	DESCRIPTION	DATE	APPROVED
01 0	RELEASED	6/11/98	TWag



ELECTRICAL	MECHANICAL	ENVIRONMENTAL	COMPONENT	MATERIAL	FINISH
Nominal Impedance (Ohms) <u>50</u> Frequency Range (GHz) DC to <u>18</u> Volt Rating (VRMS MAX) @ Sea Level <u>335</u> VSWR <u>1.02 + .005f GHz</u> Insertion Loss (dB MAX) <u>.06 √f GHz</u> RF Leakage (dB MIN) <u>-90 @ 2-3 GHz</u> Corona, 70,000 Ft (VRMS MIN) <u>250</u> Dielectric Withstanding Voltage (VRMS MIN) @ Sea Level <u>1000</u> Contact Resistance (Milliohms MAX) Center Contact <u>2.0</u> Outer Contact <u>2.0</u> Cable to Housing <u>N/A</u> RF High Potential @ Sea Level (VRMS MIN @ 5 MHz) <u>670</u> I.R.(Megohms MIN) <u>5,000</u>	Interface Dimensions MIL-STD-348A, Fig. <u>310-2</u> Recommended Mating Torque <u>7-10 In-Lbs</u> Mating Characteristics: Insertion (MAX Lbs) <u>3.0</u> Withdrawal (MIN Oz) <u>1.0</u> Force to Engage and Disengage (In/Lbs MAX) <u>2</u> Center Contact Captivation Axial (Lbs) <u>6.0</u> Radial (In/Oz) <u>4.0</u> Weight (Grams) <u>TBD</u>	Temperature Rating <u>-65°C To +125°C</u> Vibration MIL-STD-202, Method 204 204, Condition D Shock MIL-STD-202, Method 213, Condition I Thermal Shock MIL-STD-202, Method 107, Condition B, Moisture Resistance MIL-STD-202, Method 106, Except Vibration Shall Be Omitted Corrosion - MIL-STD-202, Method 101, Condition B, 5% salt spray  .XXX = in XX.X = mm (REF)	HOUSING  DIELECTRIC  CENTER CONTACT	STAINLESS STEEL PER ASTM-A484 AND ASTM- A582, TYPE 303  PTFE FLUOROCARBON PER ASTM-D-1457  BERYLLIUM COPPER PER ASTM-B-196 OR ASTM-B-197, ALLOY C17300, CONDITION H	PASSIVATE PER QQ-P-35  N/A  GOLD PLATE PER MIL-G-45204
UNLESS OTHERWISE SPECIFIED DIMENSIONS ARE IN INCHES TOLERANCE ON FRAC. DEC. ANGLES ± 1/64 ±.005 ± °			DRAWN BY TIM WAGNER CHECKED BY  APP'D BY TWag 6/11/1998	DATE 6/11/98  <b>AMP</b> AMP Incorporated 140 Fourth Avenue Waltham, MA 02451-7599	TITLE OSM FLANGE MOUNT JACK RECEPTACLE STRAIGHT TERMINAL  SIZE B CODE IDENT NO. 26805 SCALE 5:1
			USE ASS'Y PROCEDURE  NO. AP. <u>N/A</u>	2052-3607-02 REV 01 0 SHEET 1 OF 1	

CUSTOMER DRAWING

AMP PART # 1255031-1  
 SHEET 1 OF 1 REV A

## X-ON Electronics

Largest Supplier of Electrical and Electronic Components

*Click to view similar products for [RF Connectors / Coaxial Connectors](#) category:*

*Click to view products by [TE Connectivity](#) manufacturer:*

Other Similar products are found below :

[8915-1511-000](#) [89674-0827](#) [6001-7071-019](#) [6002-7051-003](#) [6002-7551-202](#) [6059674-1](#) [619550-1](#) [630059-000](#) [M39030/3-01N](#) [6500-7071-046](#) [6769](#) [CX050L2AQ](#) [7002-1541-010](#) [7002-1542-011](#) [7004-1512-000](#) [7009-1511-004](#) [7010-1511-000](#) [7029-1511-060](#) [7101-1541-010](#) [7101-1571-002](#) [7145-1521-002](#) [7203-1571-003](#) [7209-1511-011](#) [7210-1511-015](#) [7210-1511-019](#) [73137-5015](#) [73216-2241](#) [73404-2300](#) [7405-1521-005](#) [7405-1521-802](#) [8527](#) [8547](#) [FS11V](#) [877931](#) [8808-1511-001](#) [9074-9513-000](#) [9101-9573-002](#) [910A205F](#) [9130-9573-002](#) [PL11SC-026](#) [PL375-33](#) [PL40-5](#) [PL74C-221](#) [PL75MC-217](#) [PL803-7](#) [1200690078](#) [1-201144-1](#) [R107003010W](#) [R110A172100](#) [R112186000](#)