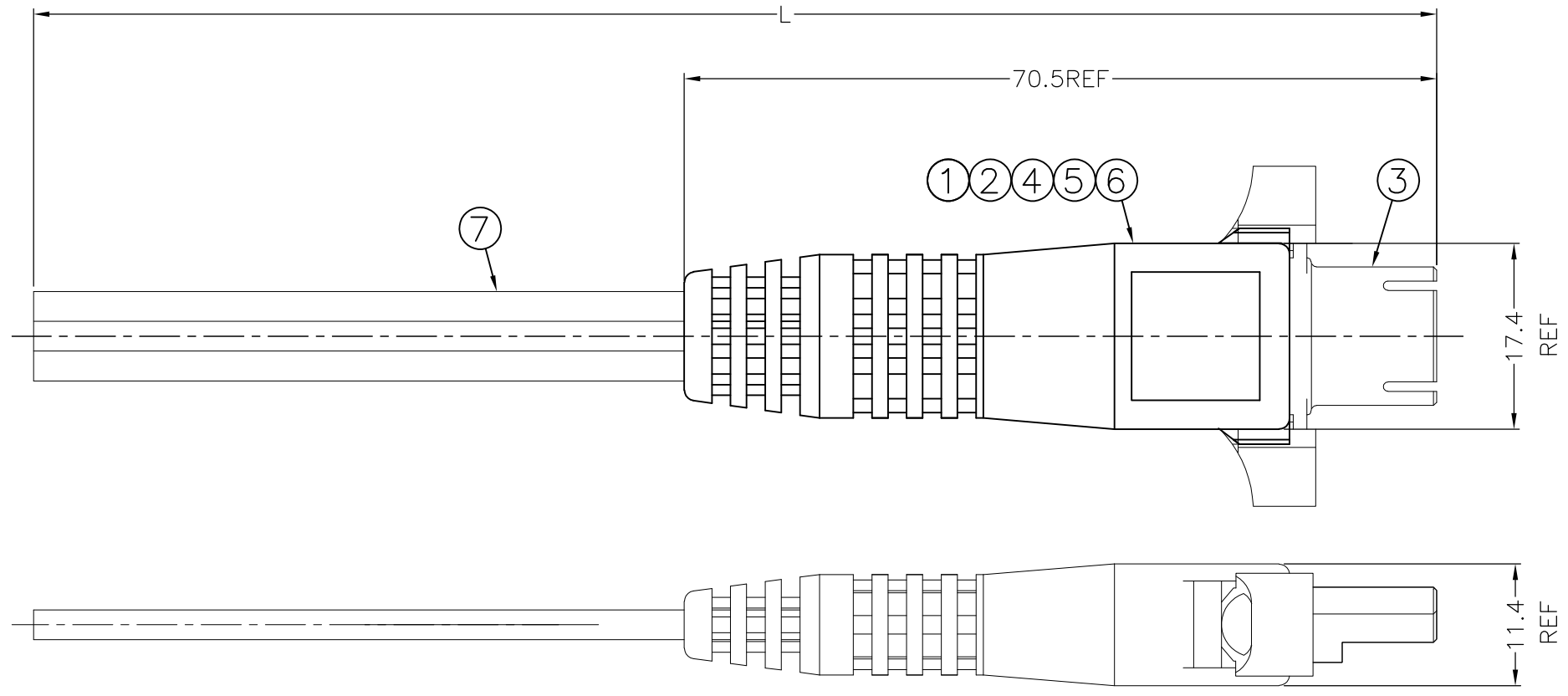


THIS DRAWING IS UNPUBLISHED. RELEASED FOR PUBLICATION
 © COPYRIGHT BY TYCO ELECTRONICS CORPORATION. ALL RIGHTS RESERVED.

LOC	DIST	REVISIONS					
GP	00	P	LTR	DESCRIPTION	DATE	DWN	APVD
			A	NEW RELEASE/RTS 106102	08/APR/08	ECC	JDM



222.0±20.0	2053075-3
1500.0±20.0	2053075-2
800.0±20.0	2053075-1
"L"	TYCO ELECTRONICS P/N

- CABLE: 3XRG174 FLAT, GROOVED
- MATERIAL/PARTS WHICH CONTAIN THE PROHIBITED SUBSTANCE [CLASSIFICATION OF ENVIRONMENT RELATED SUBSTANCE,(1) CLASS I SUBSTANCE FOR 4.2 (PROHIBITED TO USE),ANNEXED TABLE 1] OF ENVIRONMENT RELATED SUBSTANCE CONTROL STANDARD (14-2.5.06) MUST NOT USE IN PRODUCT AND MANUFACTURING PROCESS.
- CADMIUM CONTENT: 5PPM UNDER(ONLY PLASTIC/RUBBER)
- ASSEMBLE PER 114-13098
- PRODUCT AND PROCESSING MUST MEET REQUIREMENTS OF TYCO ELECTRONICS ELECTRICAL STANDARD 230-702 ("ROHS")

A/R	A/R	A/R	FT	DESCRIPTION	ITEM
3	3	3	PC	3C-RG174 COAXIAL CABLE	7
3	3	3	PC	SHIELD CONTACT	6
3	3	3	PC	CENTER CONTACT	5
3	3	3	PC	INSULATOR	4
1	1	1	PC	HOUSING, OUTER W/ FLANGES, KEYED	3
1	1	1	PC	INTERMOLD	2
1	1	1	PC	BOOT, OUTER W/ FLANGES	1
-3	-2	-1	U/M	DESCRIPTION	ITEM

THIS DRAWING IS A CONTROLLED DOCUMENT.		DWN E.C. CLAYBAUGH 08/APR/08	Tyco Electronics Corporation Harrisburg, PA 17105-3608												
DIMENSIONS: mm [INCHES]		CHK J.D. MONTGOMERY 08/APR/08	NAME CABLE ASSY, QSL, 3 PORT W/FLANGE, PIGTAIL												
TOLERANCES UNLESS OTHERWISE SPECIFIED:		APVD J.D. MONTGOMERY 08/APR/08	PRODUCT SPEC												
<table border="0"> <tr><td>0 PLC</td><td>± -</td></tr> <tr><td>1 PLC</td><td>± 0.2</td></tr> <tr><td>2 PLC</td><td>± -</td></tr> <tr><td>3 PLC</td><td>± -</td></tr> <tr><td>4 PLC</td><td>± -</td></tr> <tr><td>ANGLES</td><td>± -</td></tr> </table>		0 PLC	± -	1 PLC	± 0.2	2 PLC	± -	3 PLC	± -	4 PLC	± -	ANGLES	± -	APPLICATION SPEC	
0 PLC	± -														
1 PLC	± 0.2														
2 PLC	± -														
3 PLC	± -														
4 PLC	± -														
ANGLES	± -														
MATERIAL		WEIGHT	SIZE A3	CAGE CODE 00779											
			DRAWING NO C-2053075	RESTRICTED TO											
		CUSTOMER DRAWING		SCALE N.T.S.											
		SHEET 1 OF 1		REV A											

X-ON Electronics

Largest Supplier of Electrical and Electronic Components

Click to view similar products for [RF Cable Assemblies](#) category:

Click to view products by [TE Connectivity](#) manufacturer:

Other Similar products are found below :

[573/2](#) [73-6311-6](#) [73-6353-3](#) [73-6364-6](#) [MDB1-9SH001](#) [MDM-15PH003L-K139](#) [MDM-21PH003L-K139](#) [MIKQ6-7SH076](#) [R288940005](#)
[RMTB1-6PHY0102](#) [145111-05-12.00](#) [2192](#) [CA-628485-A43](#) [24P104C24J1-012](#) [24P104C24P1-006](#) [24P104C24P1-018](#) [24P203C24P2-006](#)
[24P204C24J1-003](#) [172-2150-EX](#) [1800920920914PJ](#) [FCB-3030-ALT](#) [21117-046](#) [21117-050](#) [PCX-24-50](#) [24P103C24P2-003](#) [25P203C25P2-](#)
[003](#) [R284008001](#) [R285001021](#) [R285426000](#) [R288940003](#) [R288940008](#) [RF179-74BJ3-77RP1-0305](#) [RMTB1-15PHY0102](#) [RMTB1-](#)
[8PHY0102](#) [4814-BB-24](#) [500-181-R-ACC](#) [5260-72](#) [314-120](#) [JR4N1-CL1-6F](#) [JR4R3-CL1-4F](#) [JT2N1-CL1-1F](#) [JT2T1-CL1-6F](#) [4814-K-48](#)
[RN-UFL-SMA6](#) [100E151JW3600X](#) [CCNTN2-MM-LL335-26](#) [73-6310-50](#) [73-6351-25](#) [73-6353-25](#) [73-6361-25](#)