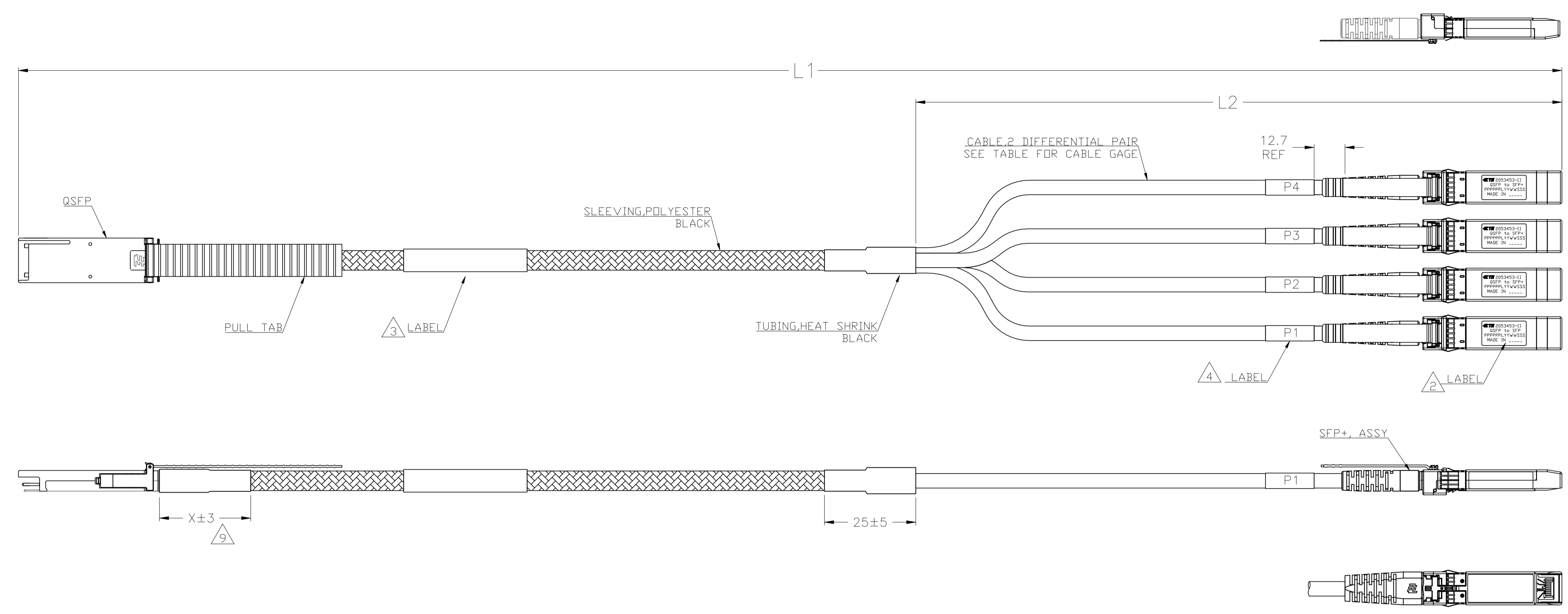
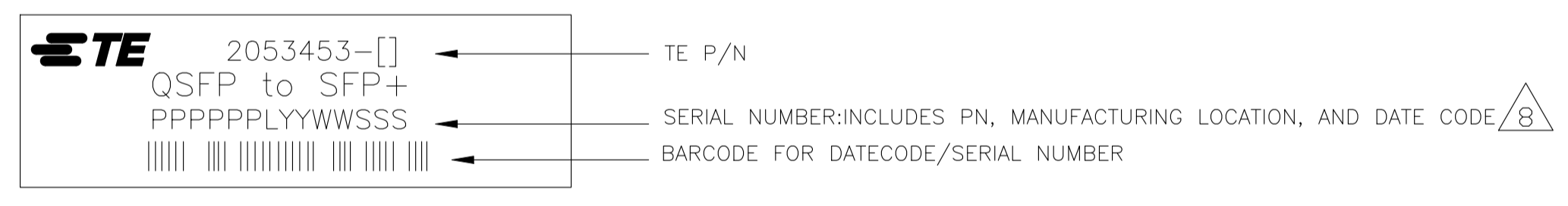


REVISIONS					
P	LTR	DESCRIPTION	DATE	DWN	APVD
L		REVISED PER ECO-20-017183	25FEB2021	SB	WY

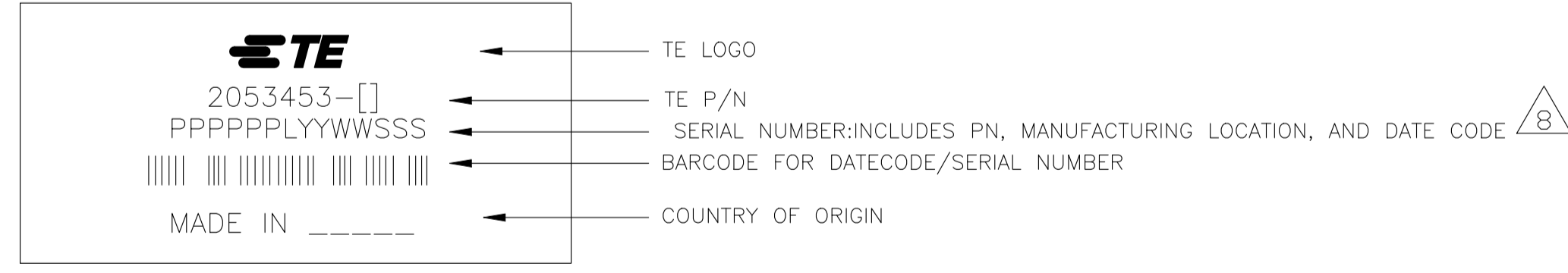


1. CHARACTERISTIC IMPEDANCE: 100±10 OHMS (MEASURED DIFFERENTIALLY)

2 LABEL INFORMATION:



3 LABEL INFORMATION:



4 LABEL INFORMATION:



- 5. CABLE ASSEMBLY TO BE TESTED FOR CONTINUITY, OPENS, SHORTS AND PROPER EEPROM PROGRAM.
- 6. SEE SHEET 2 FOR WIRING DIAGRAM.
- 7. PRODUCT AND PROCESSING MEETS THE REQUIREMENTS OF TE STANDARD TEC-138-702.
- 8 SERIAL NUMBER BEGINS WITH 001 AT THE BEGINNING OF EACH WEEK.
- 9 SEE TABLE FOR HEAT SHRINK TUBE LENGTH.

35	26 AWG	1000±25	4000 ⁺⁸⁰ ₀	1-2053453-3
35	26 AWG	1000±25	3500 ⁺⁸⁰ ₀	1-2053453-2
35	26 AWG	1000±25	3000 ⁺⁸⁰ ₀	1-2053453-1
35	26 AWG	1000±25	4500 ⁺⁸⁰ ₀	1-2053453-0
50	30 AWG	1000±25	1500 ⁺⁵⁰ ₀	2053453-8
50	30 AWG	1000±25	2500 ⁺⁸⁰ ₀	2053453-7
35	26 AWG	1000±25	5000 ⁺⁸⁰ ₀	2053453-6
50	28 AWG	1000±25	4000 ⁺⁸⁰ ₀	2053453-5
50	30 AWG	1000±25	3000 ⁺⁸⁰ ₀	2053453-4
50	30 AWG	1000±25	2000 ⁺⁸⁰ ₀	2053453-3
50	30 AWG	500±25	1000 ⁺⁵⁰ ₀	2053453-2
50	30 AWG	250±25	500 ⁺⁵⁰ ₀	2053453-1
9	"X"	CABLE GAGE	L2	L1
				PART NO

THIS DRAWING IS A CONTROLLED DOCUMENT.

DIMENSIONS: mm	TOLERANCES UNLESS OTHERWISE SPECIFIED:	DIN 310CT2008	310CT2008
0. PLC ±	1. PLC ±	0.0125	0.0125
1. PLC ±	2. PLC ±	0.025	0.025
2. PLC ±	3. PLC ±	0.05	0.05
3. PLC ±	4. PLC ±	0.1	0.1
4. PLC ±	ANGLES ±		
MATERIAL	FINISH	WEIGHT	0

APPROVED: J. ELLISON, 310CT2008

NAME: J. ELLISON, 310CT2008

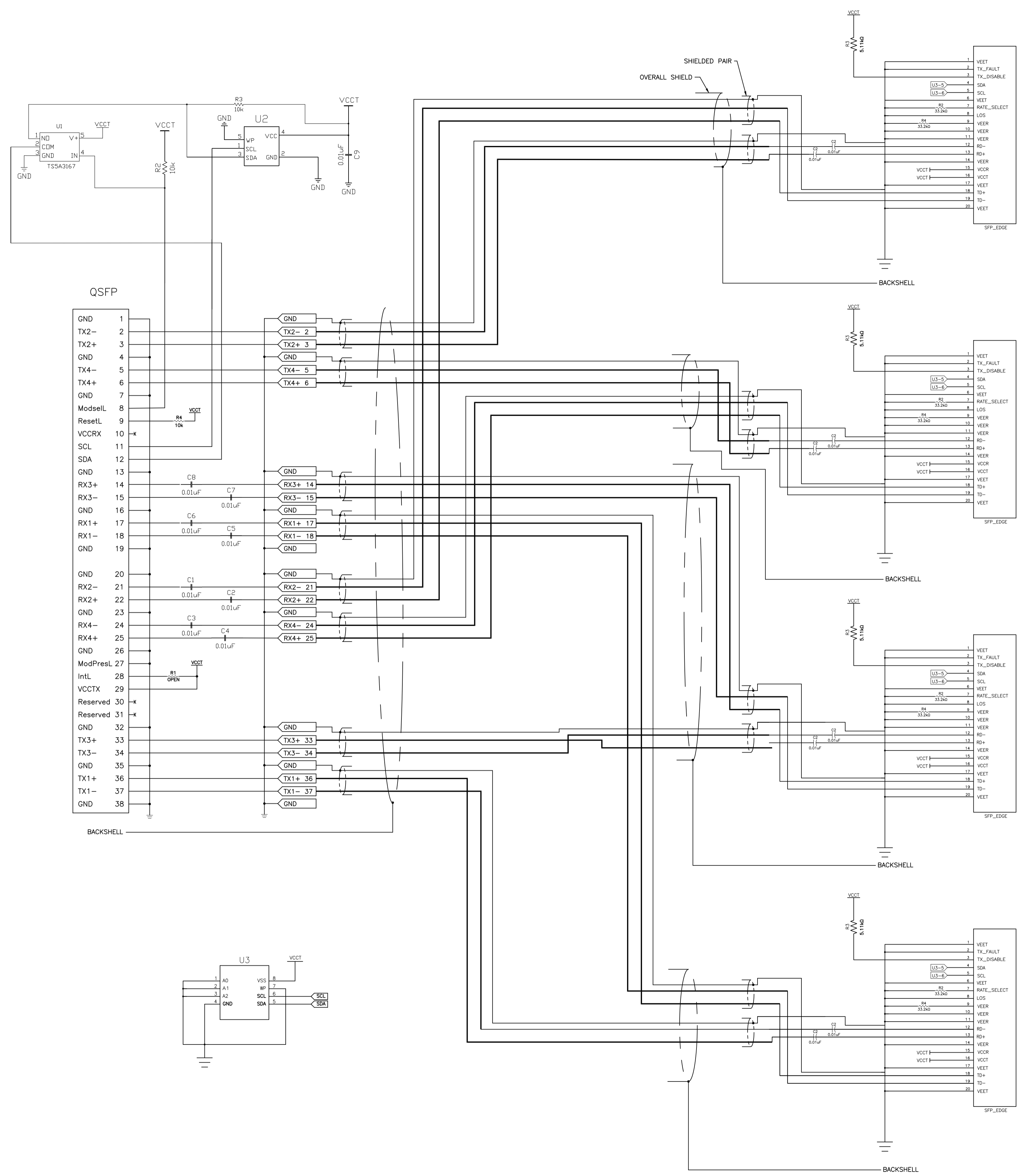
PRODUCT SPEC: CABLE ASSEMBLY, QSFP TO [4] SFP+

APPLICATION SPEC: -

SIZE: A1, CAGE CODE: 00779, DRAWING NO: 2053453, RESTRICTED TO: -

CUSTOMER DRAWING, SCALE: 1:1, SHEET: 1 of 2, REV: L

REVISIONS				
P	LTR	DESCRIPTION	DATE	APVD
-	-	SEE SHEET 1	-	-



SFP+ P2

SFP+ P4

SFP+ P3

SFP+ P1

THIS DRAWING IS A CONTROLLED DOCUMENT.		DWG: EJ DU 31OCT2008	TE Connectivity
DIMENSIONS: mm		CHK: J ELLISON 31OCT2008	
		TOLERANCES UNLESS OTHERWISE SPECIFIED: 0. PLC ± - 1. PLC ± - 2. PLC ± - 3. PLC ± - 4. PLC ± - ANGLES ± -	
MATERIAL: -		APVD: J ELLISON 31OCT2008 NAME: J ELLISON PRODUCT SPEC: - APPLICATION SPEC: - WEIGHT: - CUSTOMER DRAWING: -	
FINISH: -		SIZE: A1 CAGE CODE: 00779 DRAWING NO: C=2053453 RESTRICTED TO: - SCALE: 1:1 SHEET: 2 of 2 REV: L	

X-ON Electronics

Largest Supplier of Electrical and Electronic Components

Click to view similar products for [Ethernet Cables / Networking Cables](#) category:

Click to view products by [TE Connectivity](#) manufacturer:

Other Similar products are found below :

[73-6670-7](#) [73-6680-15](#) [73-7797-25](#) [MCJB2-10P6Q7-120](#) [84909-0204](#) [1200700174](#) [1200860368](#) [E16A06002M030](#) [E200102-009-S1](#)
[AX105346-EW](#) [MT14-187L](#) [17-103530](#) [ERWPAB3002M005](#) [190-038045-01](#) [NK5EPC18RDY](#) [NK5EPC18VLY](#) [NK5EPC18YLY](#)
[NK5EPC1GRY](#) [NK5EPC4Y](#) [NK5EPC6YLY](#) [NK5EPC8BLY](#) [NK5EPC9YLY](#) [1969343-6](#) [C501100010](#) [C501106002](#) [C501106007](#)
[C501106015](#) [C501106025](#) [C601102010](#) [C601104010](#) [C601106007](#) [C601106015](#) [2142758-2](#) [2168427-2](#) [CAT1106007](#) [21949-1](#) [2J1866A](#)
[RJF SFTP 5E 0500](#) [AX100351](#) [MN14CEC/ST](#) [C501100015](#) [C501106004](#) [C501106010](#) [C5F1108007](#) [C601104004](#) [C601106004](#)
[CA21106004](#) [CA21106010](#) [CA21106015](#) [CA21109007](#)