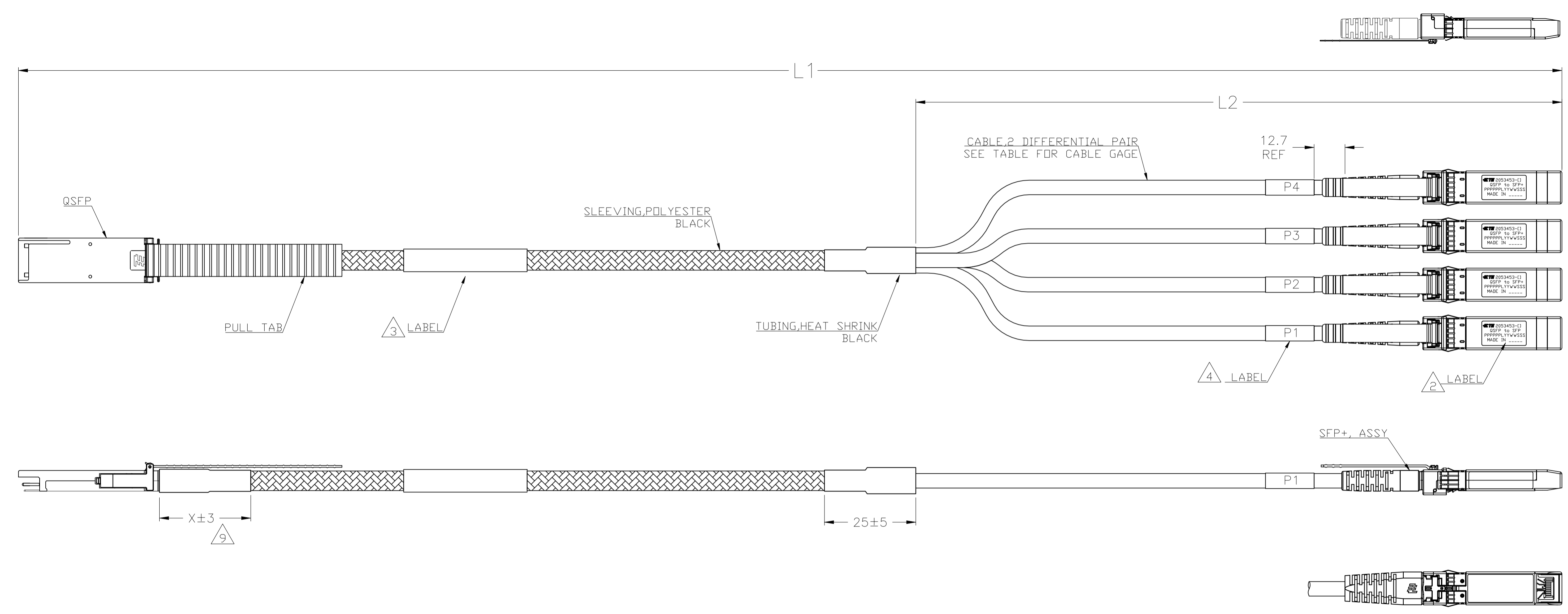
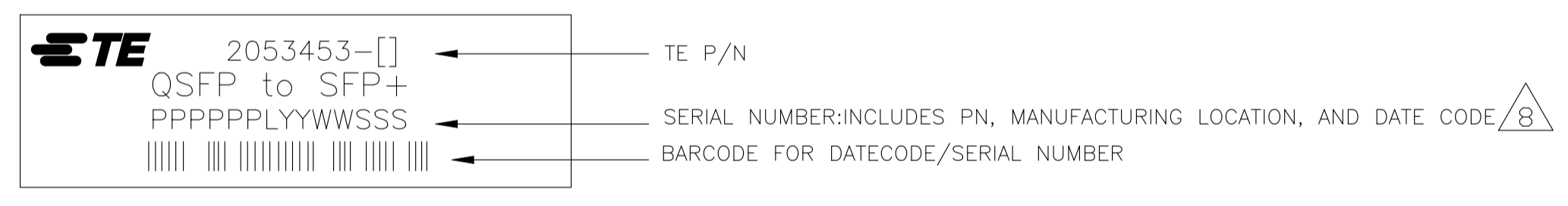


| REVISIONS |     |                           |           |     |      |
|-----------|-----|---------------------------|-----------|-----|------|
| P         | LTR | DESCRIPTION               | DATE      | DWN | APVD |
| L         |     | REVISED PER ECO-20-017183 | 25FEB2021 | SB  | WY   |

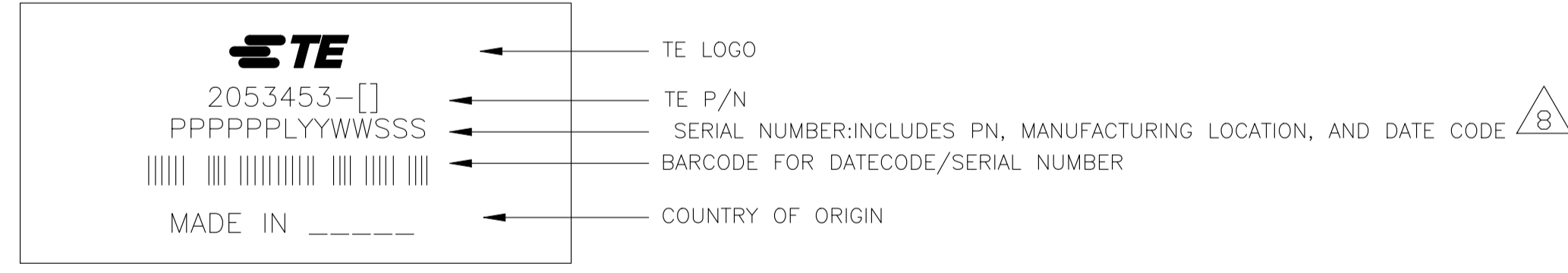


1. CHARACTERISTIC IMPEDANCE: 100±10 OHMS (MEASURED DIFFERENTIALLY)

2 LABEL INFORMATION:



3 LABEL INFORMATION:



4 LABEL INFORMATION:



- 5. CABLE ASSEMBLY TO BE TESTED FOR CONTINUITY, OPENS, SHORTS AND PROPER EEPROM PROGRAM.
- 6. SEE SHEET 2 FOR WIRING DIAGRAM.
- 7. PRODUCT AND PROCESSING MEETS THE REQUIREMENTS OF TE STANDARD TEC-138-702.

- 8 SERIAL NUMBER BEGINS WITH 001 AT THE BEGINNING OF EACH WEEK.
- 9 SEE TABLE FOR HEAT SHRINK TUBE LENGTH.

| AWG | Length     | Impedance | Resistance                       | Part No     |
|-----|------------|-----------|----------------------------------|-------------|
| 35  | 26 AWG     | 1000±25   | 4000 <sup>+80</sup> <sub>0</sub> | 1-2053453-3 |
| 35  | 26 AWG     | 1000±25   | 3500 <sup>+80</sup> <sub>0</sub> | 1-2053453-2 |
| 35  | 26 AWG     | 1000±25   | 3000 <sup>+80</sup> <sub>0</sub> | 1-2053453-1 |
| 35  | 26 AWG     | 1000±25   | 4500 <sup>+80</sup> <sub>0</sub> | 1-2053453-0 |
| 50  | 30 AWG     | 1000±25   | 1500 <sup>+50</sup> <sub>0</sub> | 2053453-8   |
| 50  | 30 AWG     | 1000±25   | 2500 <sup>+80</sup> <sub>0</sub> | 2053453-7   |
| 35  | 26 AWG     | 1000±25   | 5000 <sup>+80</sup> <sub>0</sub> | 2053453-6   |
| 50  | 28 AWG     | 1000±25   | 4000 <sup>+80</sup> <sub>0</sub> | 2053453-5   |
| 50  | 30 AWG     | 1000±25   | 3000 <sup>+80</sup> <sub>0</sub> | 2053453-4   |
| 50  | 30 AWG     | 1000±25   | 2000 <sup>+80</sup> <sub>0</sub> | 2053453-3   |
| 50  | 30 AWG     | 500±25    | 1000 <sup>+50</sup> <sub>0</sub> | 2053453-2   |
| 50  | 30 AWG     | 250±25    | 500 <sup>+50</sup> <sub>0</sub>  | 2053453-1   |
| "X" | CABLE GAGE | L2        | L1                               | PART NO     |

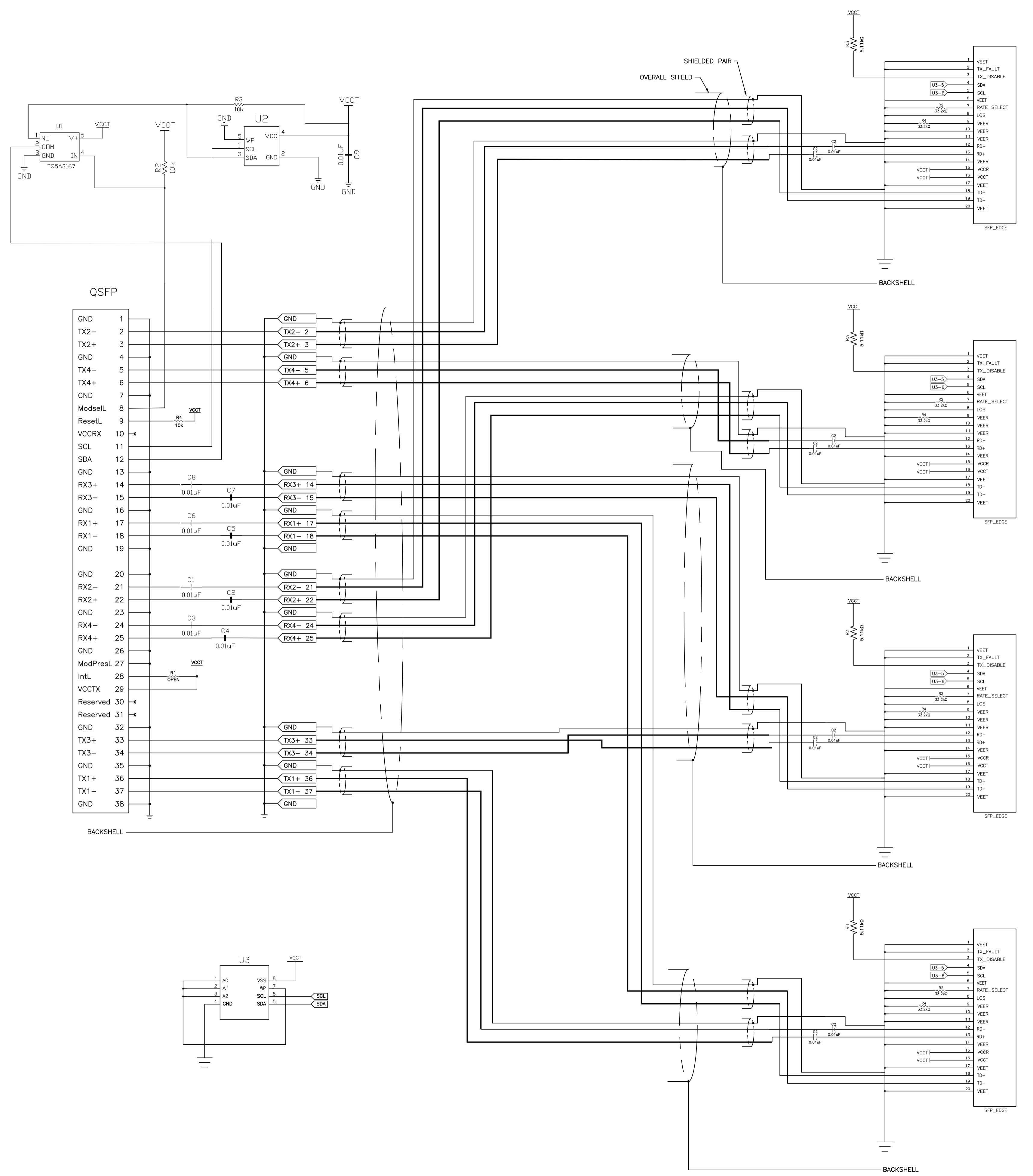
THIS DRAWING IS A CONTROLLED DOCUMENT.

|                |  |                      |                              |
|----------------|--|----------------------|------------------------------|
| DIMENSIONS: mm | TOLERANCES UNLESS OTHERWISE SPECIFIED: | DIN 310CT2008        | 310CT2008                    |
| 0. PLC ±       | 1. PLC ±                               | APVD J. ELLISON      | 310CT2008                    |
| 2. PLC ±       | 3. PLC ±                               | NAME J. ELLISON      | 310CT2008                    |
| 4. PLC ±       | ANGLES ±                               | PRODUCT SPEC         |                              |
| MATERIAL       | FINISH                                 | APPLICATION SPEC     |                              |
|                |  | WEIGHT 0             | RESTRICTED TO                |
|                |  | SIZE A1              | CAGE CODE 00779              |
|                |  | DRAWING NO C=2053453 | DRAWING NO                   |
|                |  | CUSTOMER DRAWING     | SCALE 1:1 SHEET 1 of 2 REV L |

STE TE Connectivity

CABLE ASSEMBLY, QSFP TO [4] SFP+

| REVISIONS |     |             |      |      |
|-----------|-----|-------------|------|------|
| P         | LTR | DESCRIPTION | DATE | APVD |
| -         | -   | SEE SHEET 1 | -    | -    |



SFP+ P2

SFP+ P4

SFP+ P3

SFP+ P1

|  |   |                               |                 |
|--|---|-------------------------------|-----------------|
| THIS DRAWING IS A CONTROLLED DOCUMENT. |   | DWG: EJ DU 31OCT2008          | TE Connectivity |
| DIMENSIONS: mm                         |   | CHK: J ELLISON 31OCT2008      |                 |
|  |   | NAME: J ELLISON 31OCT2008     |                 |
| TOLERANCES UNLESS OTHERWISE SPECIFIED: |   | PRODUCT SPEC                  |                 |
| 0. PLC                                 | ± | APPLICATION SPEC              |                 |
| 1. PLC                                 | ± | WEIGHT                        |                 |
| 2. PLC                                 | ± | SIZE: A1 00779 C=2053453      |                 |
| 3. PLC                                 | ± | CAGE CODE: 00779              |                 |
| 4. PLC                                 | ± | DRAWING NO: 2053453           |                 |
| ANGLES                                 | ± | RESTRICTED TO                 |                 |
| MATERIAL: -                            |   | CUSTOMER DRAWING              |                 |
| FINISH: -                              |   | SCALE: 1:1 SHEET 2 OF 2 REV L |                 |

## X-ON Electronics

Largest Supplier of Electrical and Electronic Components

*Click to view similar products for [Ethernet Cables / Networking Cables](#) category:*

*Click to view products by [TE Connectivity](#) manufacturer:*

Other Similar products are found below :

[73-6670-7](#) [73-6680-15](#) [73-7797-25](#) [84909-0204](#) [1200700174](#) [1200860368](#) [E16A06002M030](#) [E200102-009-S1](#) [AX105346-EW](#) [MT14-187L](#)  
[17-103530](#) [ERWPAB3002M005](#) [190-038045-01](#) [NK5EPC18RDY](#) [NK5EPC18VLY](#) [NK5EPC18YLY](#) [NK5EPC1GRY](#) [NK5EPC4Y](#)  
[NK5EPC6YLY](#) [NK5EPC8BLY](#) [NK5EPC9YLY](#) [1969343-6](#) [C501100010](#) [C501106002](#) [C501106007](#) [C501106015](#) [C501106025](#) [C601102010](#)  
[C601104010](#) [C601106007](#) [C601106015](#) [2142758-2](#) [2168427-2](#) [CAT1106007](#) [21949-1](#) [2J1866A](#) [RJF SFTP 5E 0500](#) [AX100351](#)  
[MN14CEC/ST](#) [C501100015](#) [C501106004](#) [C501106010](#) [C5F1108007](#) [C601104004](#) [C601106004](#) [CA21106004](#) [CA21106010](#) [CA21106015](#)  
[CA21109007](#) [CA21109010](#)