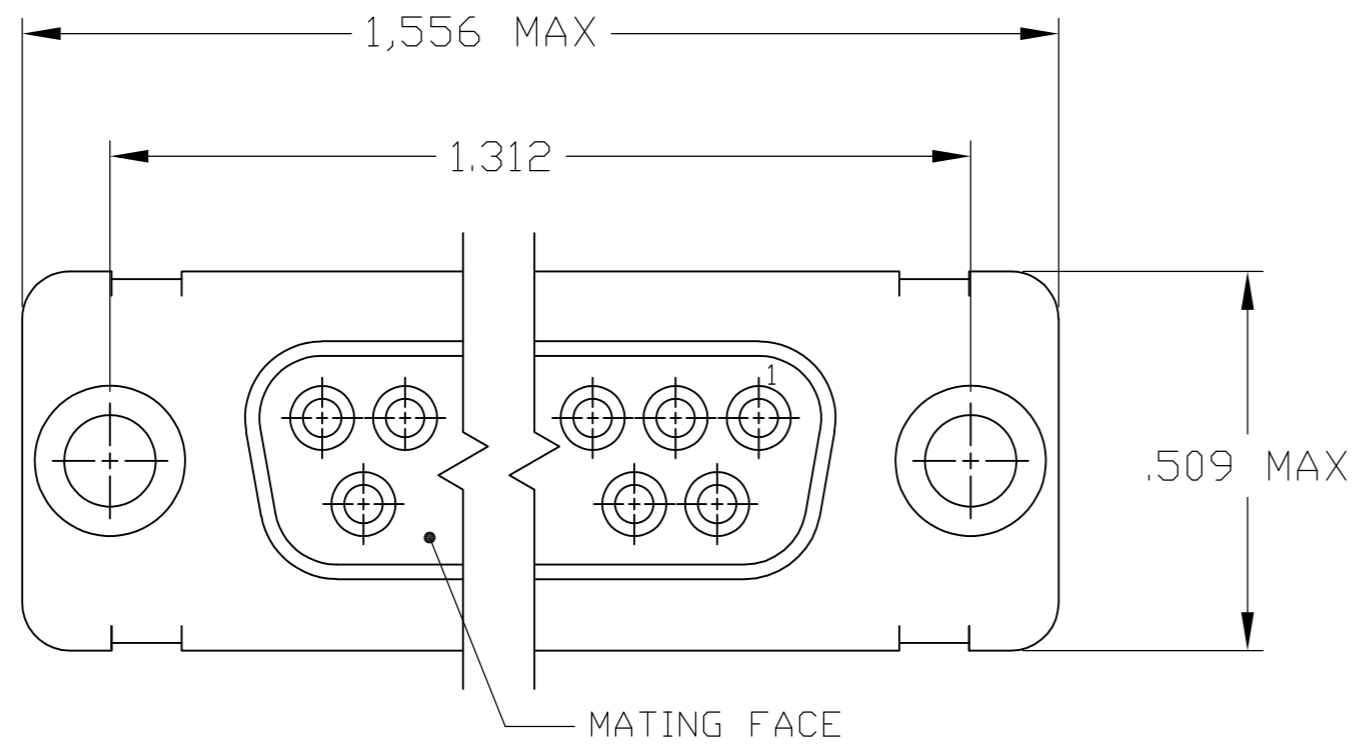


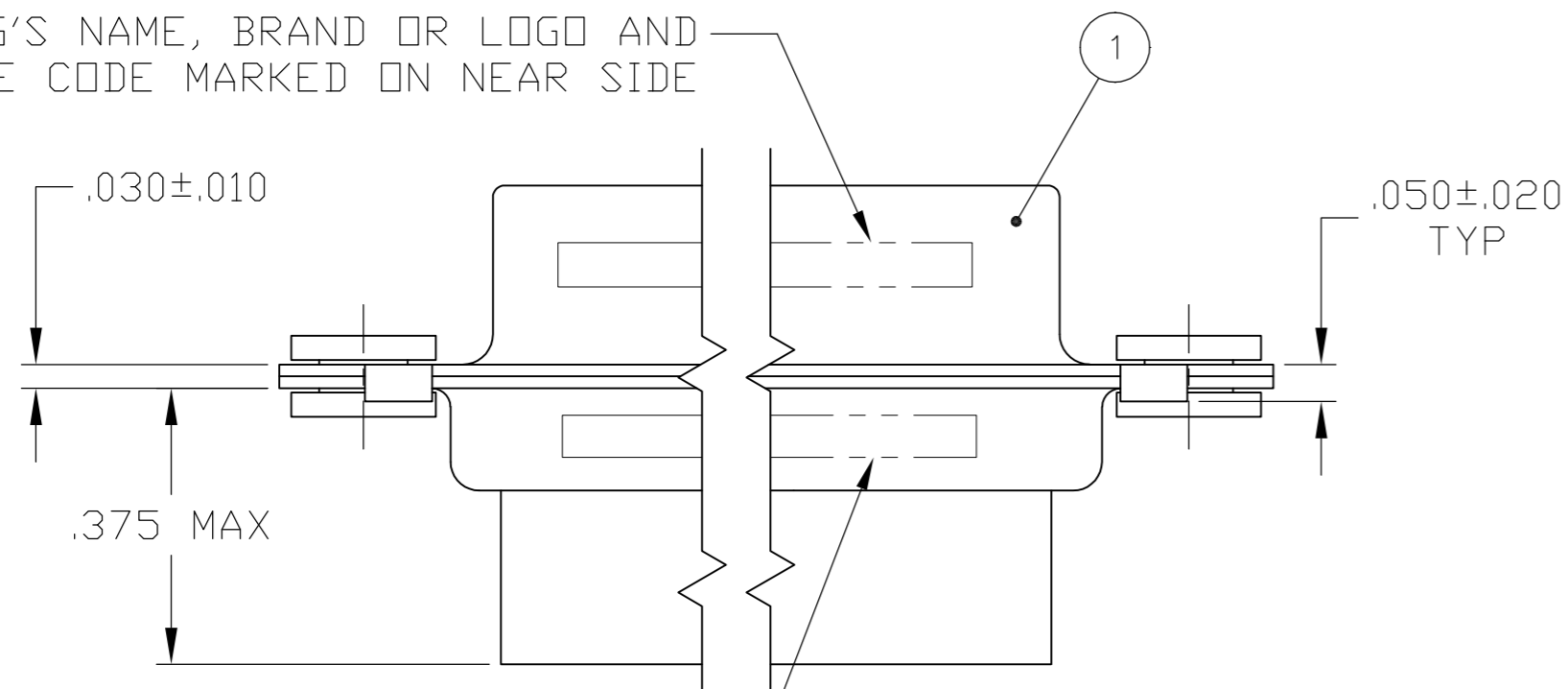
THIS DRAWING IS UNPUBLISHED. RELEASED FOR PUBLICATION
 © COPYRIGHT BY TYCO ELECTRONICS CORPORATION. ALL INTERNATIONAL RIGHTS RESERVED.

LOC		DIST		REVISIONS			
P	LTR	DESCRIPTION	DATE	DWN	APVD		
H		REV PER ECO 09-016309	9-1-09	CT	RL		

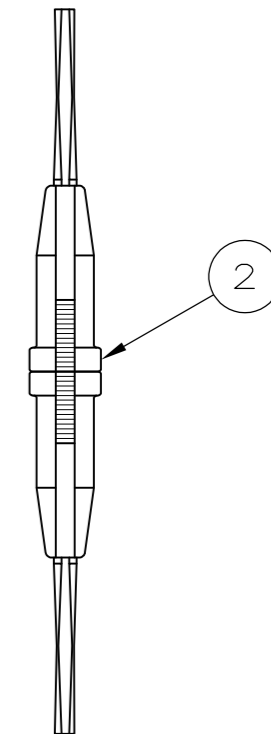
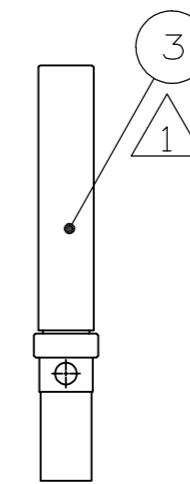
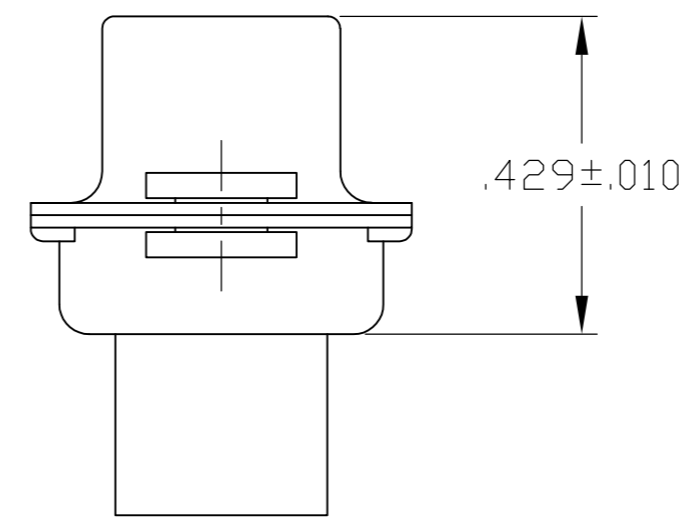


- 1. CONTACTS (ITEM #3) PACKAGED SEPARATELY AND SHIPPED WITH CONNECTOR.
- 2. FOR CONNECTOR ASSEMBLIES WITHOUT CONTACTS, TE CONTACT PART NO. 205090-1 MUST BE ORDERED SEPARATELY. CONNECTORS WITH CONTACTS ARE SUPPLIED WITH CONTACT 205090-1

MFG'S NAME, BRAND OR LOGO AND DATE CODE MARKED ON NEAR SIDE



MILITARY PART NO. (SEE TABLE) MARKED ON FAR SIDE



SUPERSEDED BY 205433-2 AND 91067-2	205433-3	M24308/2-35F	205090-1	91067-2	205417-1	205433-3		
	205433-2	M24308/2-24F	205090-1	--	205417-1	205433-2		
SUPERSEDED BY 205417-1 AND 91067-2	205433-1	-	-	91067-2	205417-1	205433-1		
TE P/N MARKED ON PACKAGE	MILITARY P/N MARKED ON PACKAGE	3	SOCKET CONTACT QTY. = 15	2	INSERTION/EXTRACTION TOOL QTY. = 1	1	RECEPTACLE ASSY QTY. = 1	PART NUMBER

THIS DRAWING IS A CONTROLLED DOCUMENT.		DWN P. YEAGER 10MAR09	Tyco Electronics Corporation Harrisburg, PA 17105-3608	
DIMENSIONS: INCHES		CHK R. LEASE 12MAR09	NAME	
TOLERANCES UNLESS OTHERWISE SPECIFIED:		APVD R. LEASE 12MAR09	KIT, HDM SERIES	
0 PLC ± -		PRODUCT SPEC	RECEPTACLE, SIZE 2	
1 PLC ± -		APPLICATION SPEC	WITH FLOAT BUSHINGS	
2 PLC ± -		WEIGHT	SIZE A2	CAGE CODE 00779
3 PLC ± .005		CUSTOMER DRAWING	DRAWING NO C=205433	RESTRICTED TO
4 PLC ± -		SCALE 4:1	SHEET 1 of 1	REV H
ANGLES ± -				
FINISH				

X-ON Electronics

Largest Supplier of Electrical and Electronic Components

Click to view similar products for [D-Sub MIL Spec Connectors](#) category:

Click to view products by [TE Connectivity](#) manufacturer:

Other Similar products are found below :

[M85049/50-5F](#) [D38999/24WG11PB-LC](#) [MDM-9SH006A](#) [1218697-4](#) [D38999/26WJ61PC L/C](#) [1484349-1](#) [17D25HV](#) [1996840-1](#) [243082-15](#)
[1757682-1](#) [17D-E51218-1](#) [17SDA15S](#) [1883533-1](#) [1883886-1](#) [1883889-1](#) [192900-0377](#) [M24308/8-347](#) [M83513/03-E09C](#) [443961-3](#) [5-](#)
[1218949-1](#) [550-031NF1R6K](#) [3-1236089-2](#) [550E001NF1R3J0L](#) [550T001NF1R6K0L](#) [557T283NF5B08](#) [DB121073-56](#) [DC121073157](#)
[443869-3](#) [443869-4](#) [443869-5](#) [550S004NF1R1B0F03](#) [557E283NF1A06](#) [527-019NF0303R2K1F](#) [5-446405-1](#) [550-031NF1R2E](#)
[550E003M2R9J0F04](#) [550E003M3R9J0F05](#) [550E024M104R9J0](#) [550E024NF102R3J0B](#) [550E039NF1R3J1-02](#) [550S003M3R9B0F05](#)
[550S004M4R7M0F04](#) [550S004NF1R1B1F02](#) [550S008M3F0K0F04](#) [550S086M5R3J0L](#) [550S100NF3F0E](#) [550T001M2R7E0L](#)
[550T001NF1F0B1L](#) [550T001NF1R1K0G](#) [550T001NF1R3K0G](#)