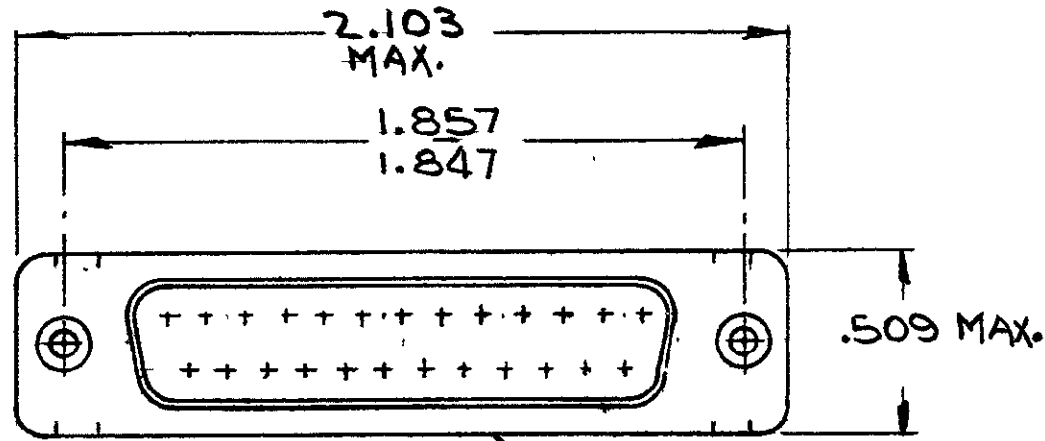


© 1971 BY AMP INCORPORATED. ALL RIGHTS RESERVED. AMP PRODUCTS COVERED BY PATENTS AND/OR PATENTS PENDING.

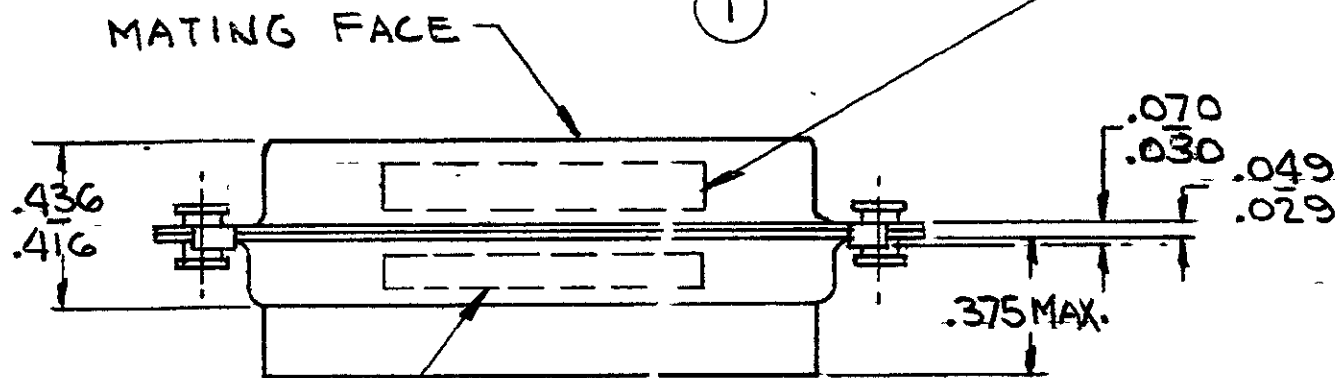
Unpublished copy not to be reproduced nor published without written permission of AMP Incorporated

⚠ APPROPRIATE MIL. P/N (KIT) IS MARKED ON PACKAGE

REVISIONS				
ZONE	LTR	DESCRIPTION	DATE	APPROVED
A		REV. PER ECN B-774	2/15/73	[Signature]
B		REV PER ECN C-878	3/19/74	[Signature]
C		REV. PER ECN D-019	5/15/74	[Signature]
D		REV. PER ECN D-105	7/2/74	[Signature]
E		REV PER ECN DF-0021, DF-0160 & R2676	1-13-88	EAM
F		ECO-08-023688	11-08	BW



MIL. P/N M24308/4-304F MARKED, FAR SIDE

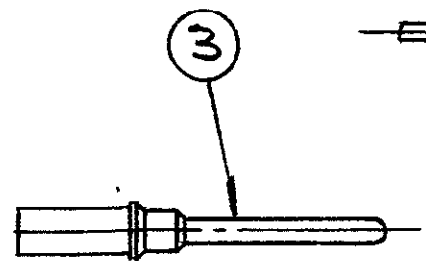
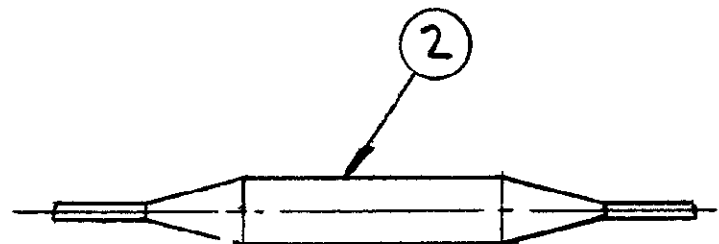


MATING FACE

MFG'S NAME, BRAND OR LOGO  
MFG'S PART NO AND DATE COD  
MARKED FAR SIDE

SUPSD BY 205487-2 & 91067-2  
SUPSD BY 205413-1 & 91067-2

<input checked="" type="checkbox"/>	-	-	MILITARY PIN M24308/4-315F MARKED ON PACKAGE		
-	<input checked="" type="checkbox"/>	-	MILITARY PIN M24308/4-304F MARKED ON PACKAGE		
2828	-	B	205089-1	CONTACT, PIN-SIZE 20	3
1	-	B	91067-2	INSERTION/EXTRACTION TOOL	2
1	-	B	205413-1	PLUG ASSY, SIZE #3	1
3	-	2	1	DWG NUMBER	NAME



UNLESS OTHERWISE SPECIFIED DIMENSIONS ARE IN INCHES TOLERANCES ON: DECIMALS ± # ANGLES ± #	CONTRACT NO.	AMP INCORPORATED HARRISBURG, PENNSYLVANIA	
	DR. [Signature] 5/10/71	AMP	
MATERIAL	CHK [Signature] 5/12/71	NAME KIT, "HDM" SERIES, PLUG, SIZE #3	
	APPD [Signature] 5-13-71	SIZE B	CODE IDENT NO. 00779
	REL [Signature] 5/13/71	NUMBER 205487	REV F
	DSGN APPD	SCALE	SHEET 1 OF 1
	OTHER APPD		

## X-ON Electronics

Largest Supplier of Electrical and Electronic Components

*Click to view similar products for [D-Sub Standard Connectors](#) category:*

*Click to view products by [TE Connectivity](#) manufacturer:*

Other Similar products are found below :

[DCM37S732N](#) [DAM15P500](#) [DEV09S364GTLF](#) [DEM09P032N](#) [DDM50P732N](#) [DAM15S332N](#) [173109-2218](#) [173109-2466](#) [173109-2469](#)  
[173109-2435](#) [56F706-005-LI](#) [56F711-015](#) [015-0341-000](#) [017041-0005](#) [012-9507-114](#) [012-9534-001](#) [609-25P](#) [M24308/2-23Z](#) [M243082310F](#)  
[M24308/2-36Z](#) [M243082411F](#) [M24308315F](#) [M24308/4-21](#) [M243084437F](#) [CT0M22-23SS](#) [CT1N36-5SC](#) [CT2-16S-17PS](#) [CT2-20-15PCAU](#)  
[CT2-24-12PS](#) [CT2-24-28PSF127A206](#) [CT6F9767-14-4-14S-5PC](#) [CT7-18-10SC](#) [CT7-18-10SCAU](#) [CT7-18-12SCAU](#) [CT7-18-1PC](#) [CT7-18-](#)  
[1PCAU](#) [CT7-18-1SC](#) [CT7-18-21SCAU](#) [CT9-16-12PS](#) [M83513/01-FC](#) [M83723/76W24619 L/C](#) [M85049/48-3-2F](#) [69001-865](#)  
[6STD09PCM99B70X](#) [6STD09SCM99B30X](#) [6STD09SCT99S40X](#) [6STD15PCT99S40X](#) [6STD15SCM99B30X](#) [6STD15SCT99S40X](#)  
[6STF09PCM05B70X](#)