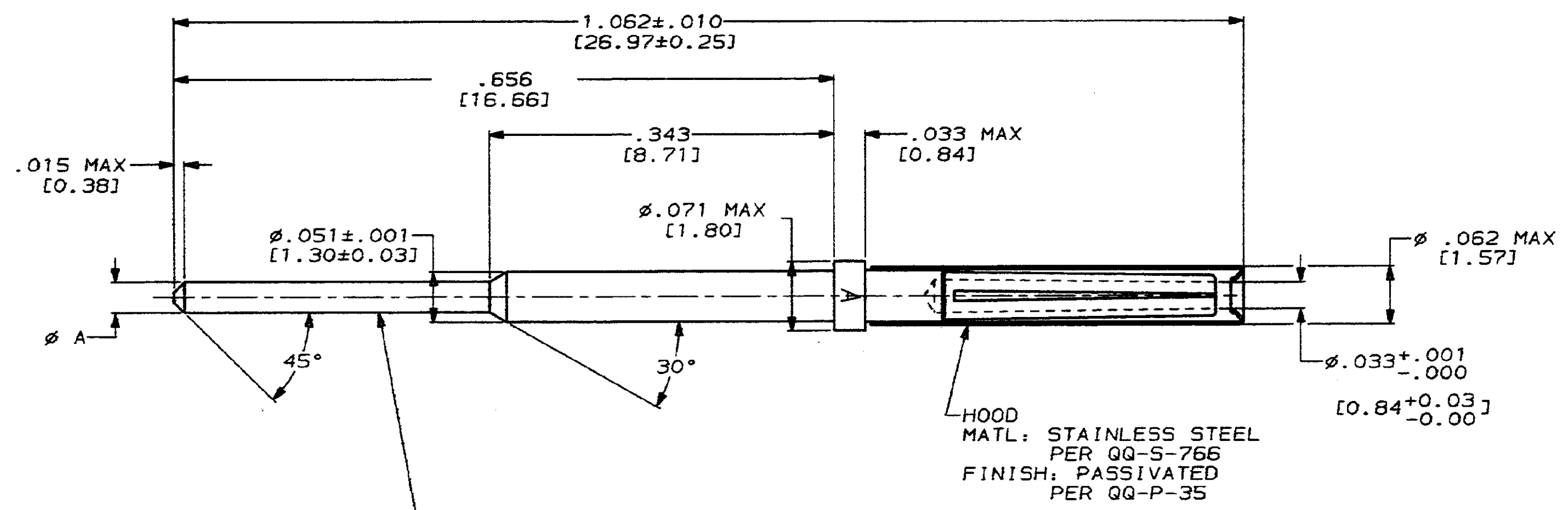


DRAWING MADE IN THIRD ANGLE PROJECTION

THIS DRAWING IS UNPUBLISHED. RELEASED FOR PUBLICATION . IS .
 © COPYRIGHT 19 BY AMP INCORPORATED. ALL INTERNATIONAL RIGHTS RESERVED.

PROJ	LOC	DIST	ZONE	LTR	REVISIONS	DATE	APPO
4971	DF	AO					
			J		REV 8 REDRAWN PER DF-4578	CT 7-91	AS



SOCKET BODY
 MAT'L: LEADED COPPER PER QQ-B-626
 FINISH: PLATED GOLD .000050 MIN
 THK PER MIL-G-45204 OVER NICKEL
 .000050 MIN THK PER QQ-N-290

HOOD
 MATL: STAINLESS STEEL
 PER QQ-S-766
 FINISH: PASSIVATED
 PER QQ-P-35

.023 ± .001 [0.58 ± 0.03]	205544-2
.031 ± .001 [0.79 ± 0.03]	205544-1
A DIM	PART NO.

DO NOT SCALE PRINT. UNLESS SPECIFIED DIMENSIONS IN INCHES [mm] TOLERANCES ON: 2 PLC DEC ± - 3 PLC DEC ± .005 [0.13] ANGLES ± 2°	DR 5-7-91 C.C. THOMAS	AMP AMP Incorporated Harrisburg, PA 17105-3608
SEE CALLOUTS	CHK 7-23-91 A. SHARPE	
FINISH SEE CALLOUTS	APPD 7-23-91 A. SHARPE	NAME ASSY, SOCKET CONTACT, SIZE 22 ARINC 404 (SPECIAL)
	APPD 7-23-91 C. THOMAS	SIZE C CAGE CODE 00779 DRAWING NO 205544
	PRODUCT SPEC -	SCALE 10:1 SHEET 1 OF 1
	APPLICATION SPEC -	
	WEIGHT -	

205544

CUSTOMER DRAWING

X-ON Electronics

Largest Supplier of Electrical and Electronic Components

Click to view similar products for [Rack & Panel Connectors](#) category:

Click to view products by [TE Connectivity](#) manufacturer:

Other Similar products are found below :

[00171410002](#) [00171420202](#) [00171440002](#) [02-014-013-5200-000](#) [613467-000](#) [CTJ112E01E-513](#) [CTJ116E03A-513](#) [66020-2](#) [CW8958-000](#)
[699886-000](#) [D250-50632](#) [70.400.3240.0](#) [70.955.2453.3](#) [733753-000](#) [F22831-000](#) [780-522-DPX34RG8-02](#) [8660-501](#) [87.060.0053.0](#)
[900709N001](#) [928358-1](#) [D-659-0061](#) [1-445717-6](#) [1484469-2](#) [1604997-2](#) [MTC100-BF1-P31CS015](#) [MTC100-KT2-0083](#) [MTC100-KT2-0123-](#)
[003](#) [MTC100-YA1-005](#) [MTCQKT1R2PGCA](#) [MTCR-103-04S](#) [MTCX1X-100-100CS025](#) [1738331-1](#) [1757667-1](#) [1811481-1](#) [1883433-1](#)
[201046-7](#) [202648-4](#) [213364-1](#) [226503-000](#) [937028-164](#) [1663130-2](#) [172305-4](#) [F36711-000](#) [202355-2](#) [202356-2](#) [G16S-A](#) [G20S-AB](#) [CHA-](#)
[0017-003](#) [CHA-0296](#) [354654-000](#)