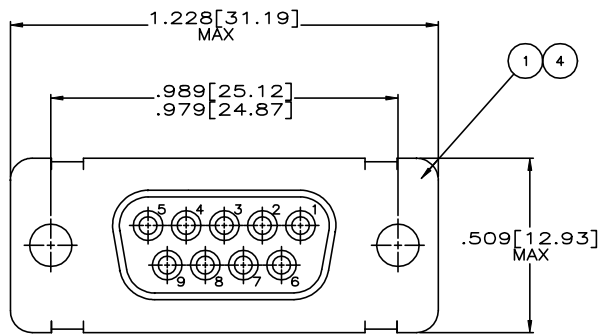
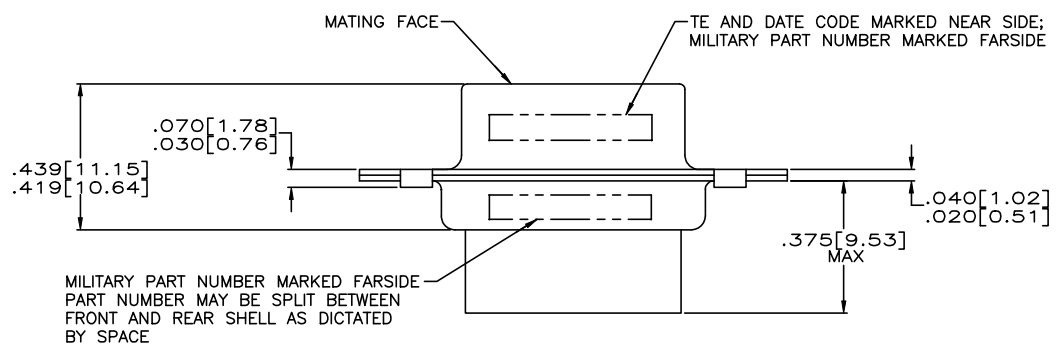


THIS DRAWING IS UNPUBLISHED. RELEASED FOR PUBLICATION. ALL RIGHTS RESERVED.

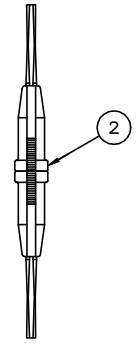
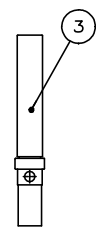
REVISIONS					
P	LYR	DESCRIPTION	DATE	DM	APVD
K		REVISED PER ECO-19-005772	5-28-19	CT	DM



- ⚠ SUPERSEDED BY 205161-1 AND 91067-2.
- ⚠ SUPERSEDED BY 207253-2 AND (9) 206793-1.
- ⚠ OBSOLETE.
- ⚠ FOR CONNECTOR ASSEMBLIES WITHOUT CONTACTS, TE PART NO 205090-1 MUST BE ORDERED SEPARATELY. CONNECTORS WITH CONTACTS ARE SUPPLIED WITH CONTACTS 205090-1



MILITARY PART NUMBER MARKED FAR SIDE
PART NUMBER MAY BE SPLIT BETWEEN
FRONT AND REAR SHELL AS DICTATED
BY SPACE



⚠ 2	⚠ 3	91067-2	205090-1	M24308/6-6F	M24308/6-1F	205555-4	205555-5
		-	205090-1	M24308/6-1F	M24308/6-1F	205555-4	205555-4
		91067-2	205090-1	M24308/2-6F	M24308/2-1F	205555-2	205555-3
		-	205090-1	M24308/2-1F	M24308/2-1F	205555-2	205555-2
⚠ 1		91067-2	-	-	M24308/2-1F	205555-2	205555-1
REMARKS	INSERTION/EXTRACTION TOOL	⚠ CONTACT (QTY=9)	MILITARY P/N ON PACKAGE	MILITARY P/N ON CONNECTOR	PART NUMBER ON CONNECTOR	PART NO	

THIS DRAWING IS A CONTROLLED DOCUMENT. DM T. THOMPSON 11-03-94
DWK D. MANTIONE 01-16-95

TE TE Connectivity

NAME: KIT, HDM-20 SERIES, RECT, SIZE 1, 9 POSITION

APVD: D. MANTIONE 01-16-95

PRODUCT SPEC: -

APPLICATION SPEC: -

WEIGHT: 0.000000

SIZE: A2 CAGE CODE: 00779 DRAWING NO: 205555

MATERIAL: - FINISH: -

CUSTOMER DRAWING SCALE: 4:1 SHEET: 1 of 1 REV: K

X-ON Electronics

Largest Supplier of Electrical and Electronic Components

Click to view similar products for [D-Sub MIL Spec Connectors](#) category:

Click to view products by [TE Connectivity](#) manufacturer:

Other Similar products are found below :

[M85049/50-5F](#) [D38999/24WG11PB-LC](#) [MDM-9SH006A](#) [1218697-4](#) [D38999/26WJ61PC L/C](#) [1484349-1](#) [17D25HV](#) [1996840-1](#) [243082-15](#)
[1757682-1](#) [17D-E51218-1](#) [17SDA15S](#) [1883533-1](#) [1883886-1](#) [1883889-1](#) [192900-0377](#) [M24308/8-347](#) [M83513/03-E09C](#) [443961-3](#) [5-](#)
[1218949-1](#) [550-031NF1R6K](#) [3-1236089-2](#) [550E001NF1R3J0L](#) [550T001NF1R6K0L](#) [557T283NF5B08](#) [DB121073-56](#) [DC121073157](#)
[443869-3](#) [443869-4](#) [443869-5](#) [550S004NF1R1B0F03](#) [557E283NF1A06](#) [527-019NF0303R2K1F](#) [5-446405-1](#) [550-031NF1R2E](#)
[550E003M2R9J0F04](#) [550E003M3R9J0F05](#) [550E024M104R9J0](#) [550E024NF102R3J0B](#) [550E039NF1R3J1-02](#) [550S003M3R9B0F05](#)
[550S004M4R7M0F04](#) [550S004NF1R1B1F02](#) [550S008M3F0K0F04](#) [550S086M5R3J0L](#) [550S100NF3F0E](#) [550T001M2R7E0L](#)
[550T001NF1F0B1L](#) [550T001NF1R1K0G](#) [550T001NF1R3K0G](#)