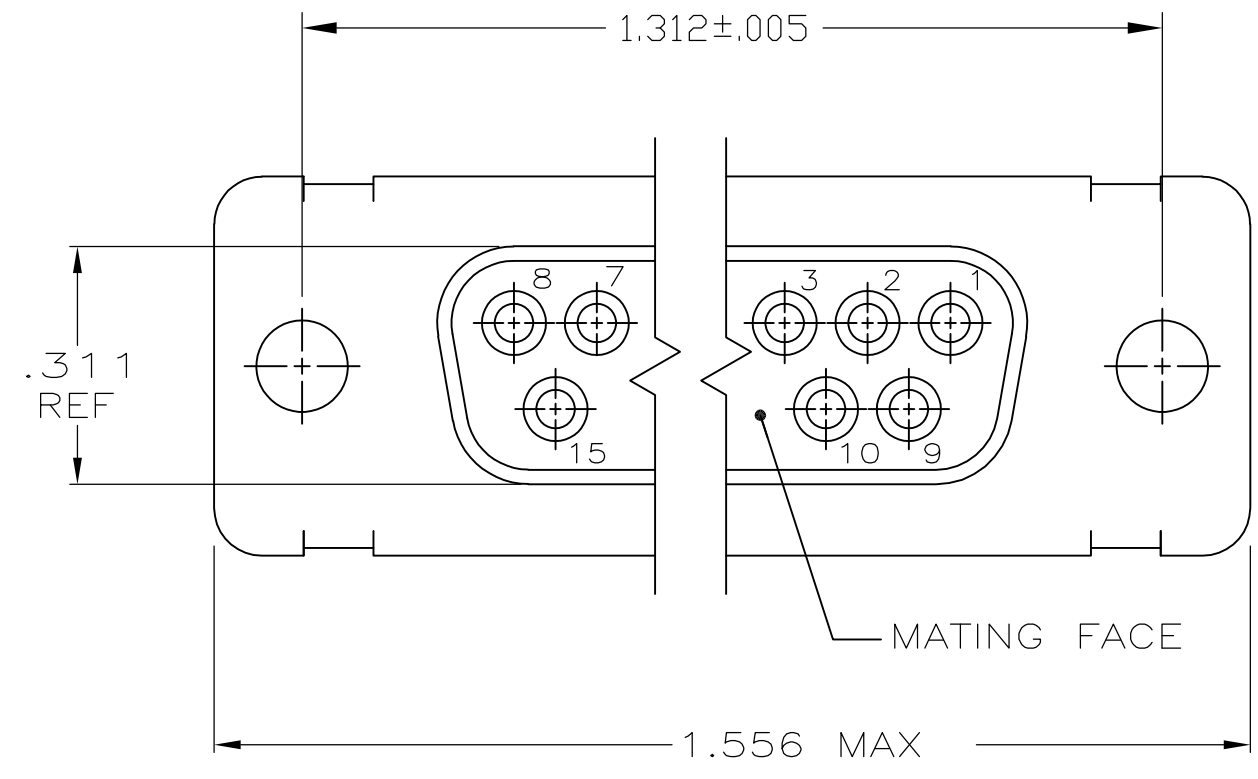


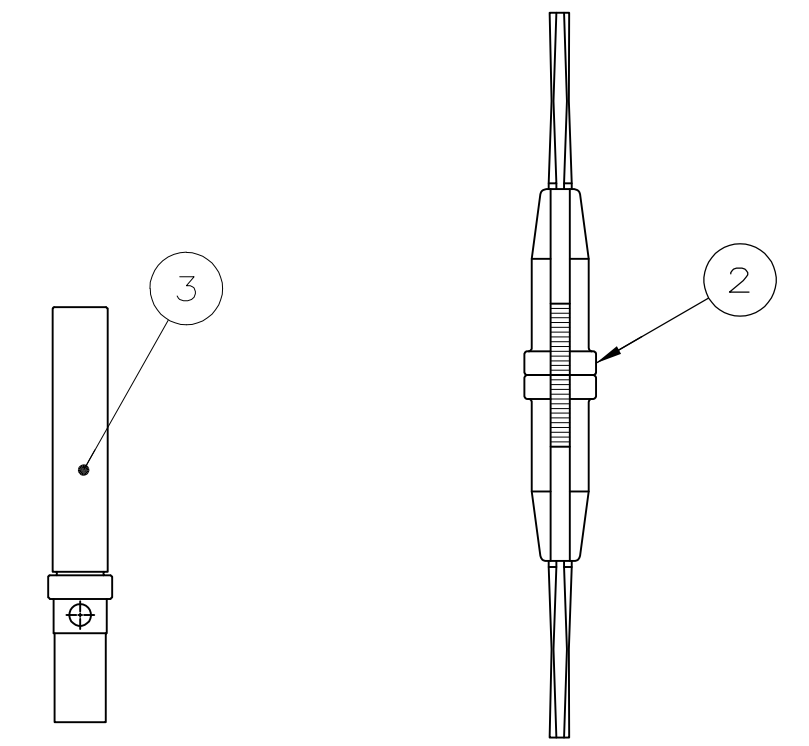
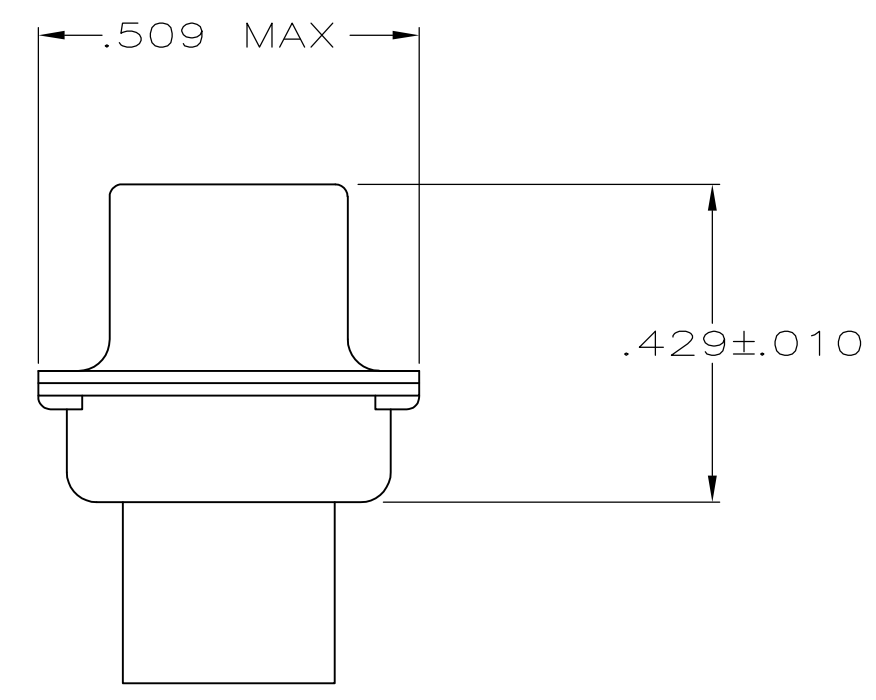
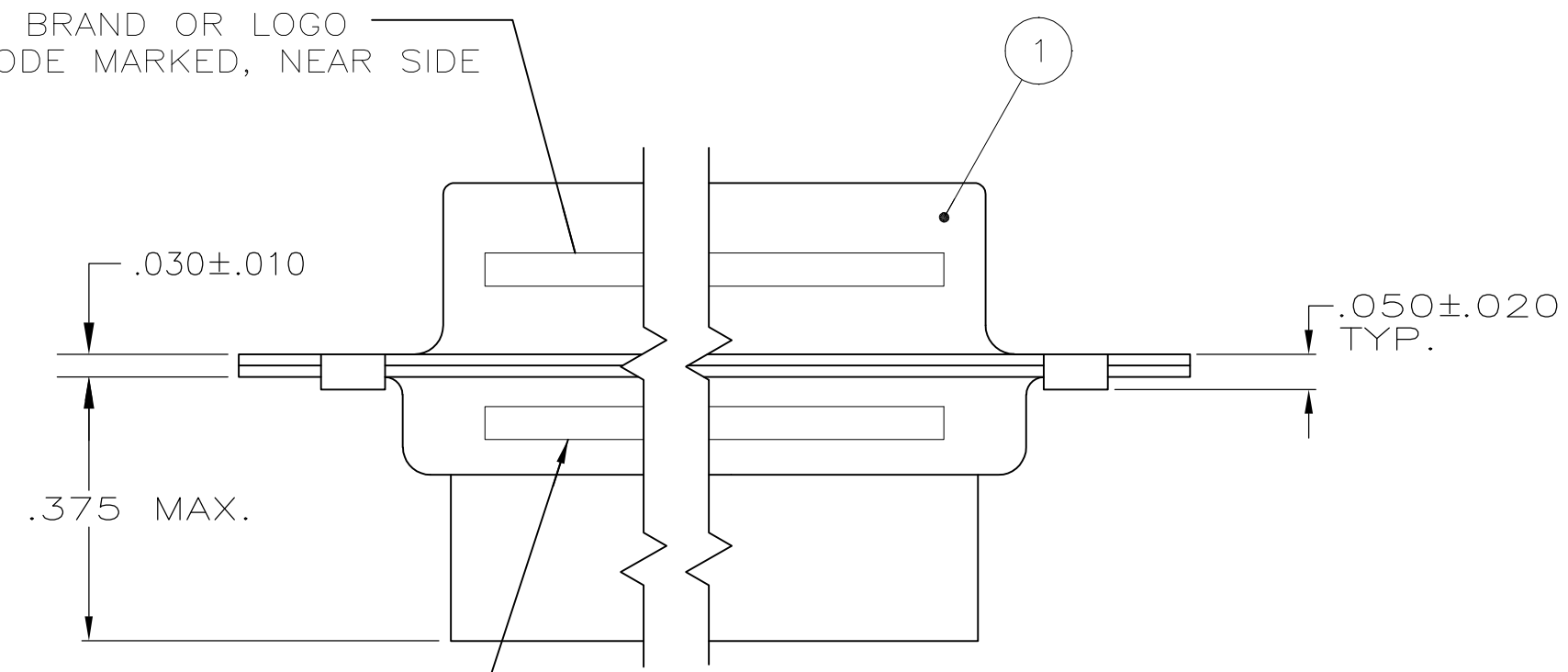
THIS DRAWING IS UNPUBLISHED. RELEASED FOR PUBLICATION
 © COPYRIGHT - By - ALL RIGHTS RESERVED.

| LOC | | DIST | | REVISIONS | | | |
|-----|-----|-------------|---------------------------|-----------|------|-----|--|
| P | LTR | DESCRIPTION | DATE | DWN | APVD | | |
| - | - | H1 | REVISED PER ECO-11-005030 | 11MAR11 | RK | HMR | |



1 FOR CONNECTOR ASSEMBLIES, TE CONNECTIVITY CONTACT PART NOS. 205090-1 MUST BE ORDERED SEPARATELY. CONNECTORS WITH CONTACTS ARE SUPPLIED WITH CONTACT 205090-1

MFG'S NAME, BRAND OR LOGO AND DATE CODE MARKED, NEAR SIDE



MILITARY P/N (SEE TABLE) MARKED, FAR SIDE

| | | | | | | | |
|------------------------------------|---------------------------------------|--------------------------------|--------------------------|------------------------------------|--------------------------|-------------|----------|
| | OBSOLETE | 205557-3 | M24308/6-7F | 205090-1 | 91067-2 | 205163-2 | 205557-5 |
| SUPERSEDED BY 205433-2 AND 91067-2 | | 205557-3 | M24308/6-2F | 205090-1 | - | 205163-2 | 205557-4 |
| | | 205557-3 | M24308/2-7F | 205090-1 | 91067-2 | 205163-1 | 205557-3 |
| | | 205557-2 | M24308/2-2F | 205090-1 | - | 205163-1 | 205557-2 |
| SUPERSEDED BY 205417-1 AND 91067-2 | | 205557-1 | - | - | 91067-2 | 205163-1 | 205557-1 |
| | TE CONNECTIVITY P/N MARKED ON PACKAGE | MILITARY P/N MARKED ON PACKAGE | SOCKET CONTACT QTY. = 15 | INSERTION/EXTRACTION TOOL QTY. = 1 | RECEPTACLE ASSY QTY. = 1 | PART NUMBER | |

THIS DRAWING IS A CONTROLLED DOCUMENT.

| | | | | | |
|------------------|-----------|---------------------------|-----------|------------|---------------|
| DWN P. YEAGER | 10MAR09 | TE TE Connectivity | | | |
| CHK R. LEASE | 12MAR09 | | | | |
| APVD R. LEASE | 12MAR09 | | | | |
| PRODUCT SPEC | | | | | |
| APPLICATION SPEC | | NAME | | | |
| WEIGHT | - | SIZE | CAGE CODE | DRAWING NO | RESTRICTED TO |
| CUSTOMER DRAWING | SCALE 4:1 | A2 | 00779 | C-205557 | - |
| | | SHEET | 1 | OF 1 | REV H1 |

X-ON Electronics

Largest Supplier of Electrical and Electronic Components

Click to view similar products for [D-Sub MIL Spec Connectors](#) category:

Click to view products by [TE Connectivity](#) manufacturer:

Other Similar products are found below :

[M24308/4-13Z](#) [M8351307-B](#) [D38999/24WE6SD](#) [D38999/24WG11PB-LC](#) [MDM-21SH003B-K139](#) [1218697-4](#) [MS27467T21F41S](#)
[MS27468T21F11P](#) [MS27468T21F11S](#) [17D25HV](#) [1996840-1](#) [243082-15](#) [1663962-1](#) [1757682-1](#) [17D-E51218-1](#) [17SDA15S](#) [1883533-1](#)
[1883886-1](#) [1883889-1](#) [192900-0377](#) [M24308/2-3Z](#) [M24308/4-3Z](#) [M24308/4-4F](#) [M24308/4-4Z](#) [M83513/03-E09C](#) [M83723/75W2212N L/C](#)
[D38999/24FJ29PN-LC](#) [D38999/24WG11SB-LC](#) [5-1218949-1](#) [550-031NF1R6K](#) [550E001NF1R3J0L](#) [550T001NF1R6K0L](#) [C115368-1612B](#)
[C115370-1717B](#) [DC121073157](#) [443869-3](#) [443869-4](#) [443869-5](#) [550S004NF1R1B0F03](#) [550-031NF1R2E](#) [550E003M2R9J0F04](#)
[550E003M3R9J0F05](#) [550E024M104R9J0](#) [550E024NF102R3J0B](#) [550E039NF1R3J1-02](#) [550S003M3R9B0F05](#) [550S004M4R7M0F04](#)
[550S004NF1R1B1F02](#) [550S086M5R3J0L](#) [550S100NF3F0E](#)