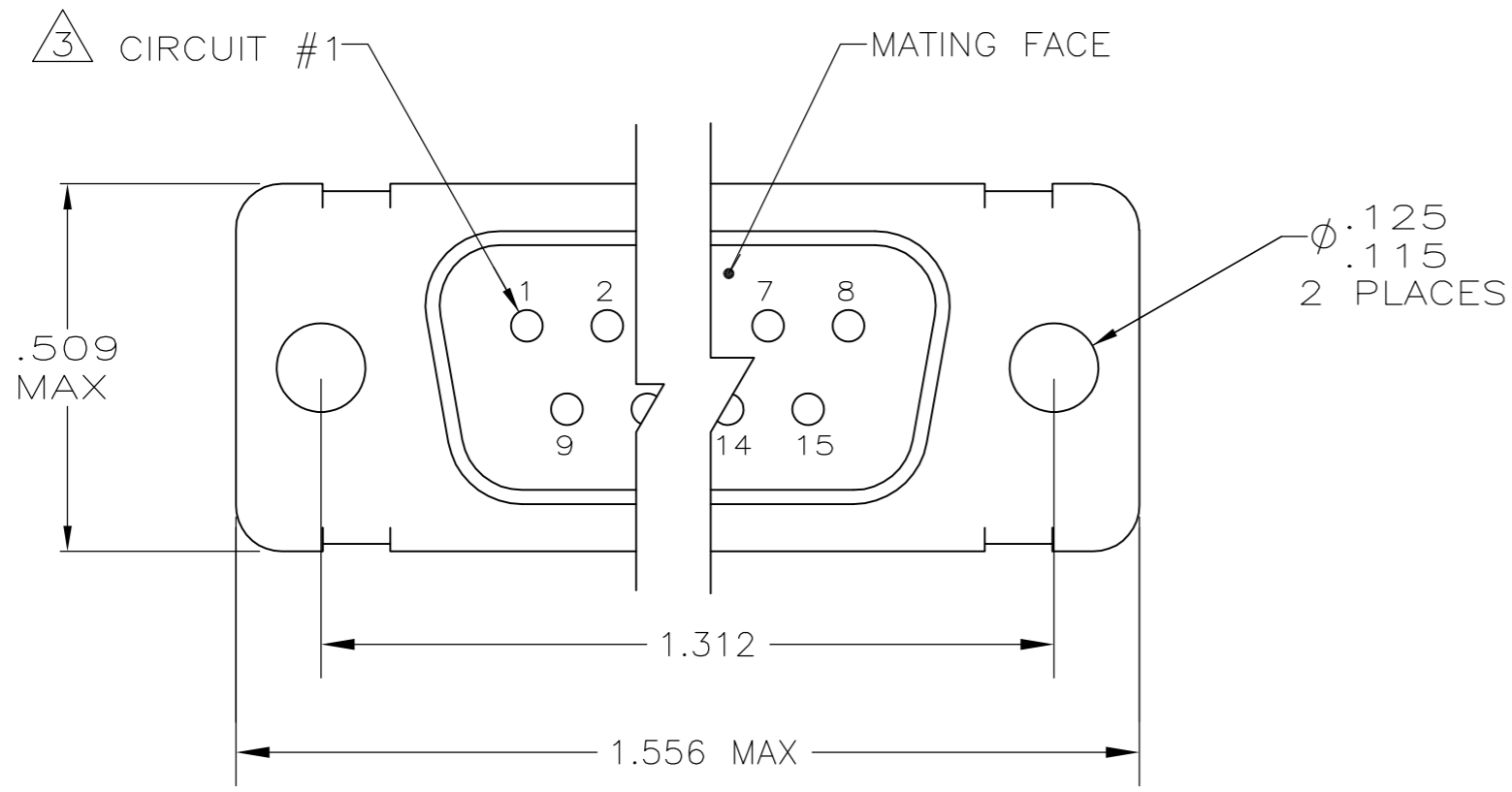
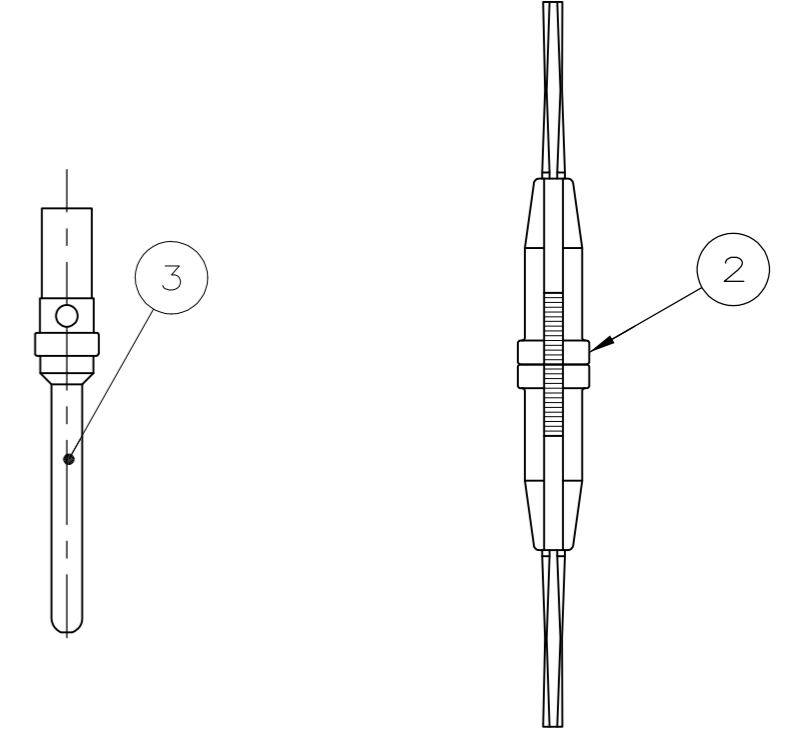
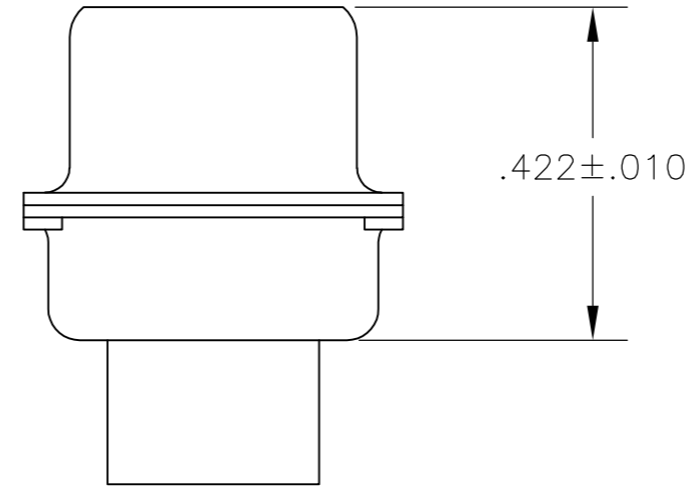
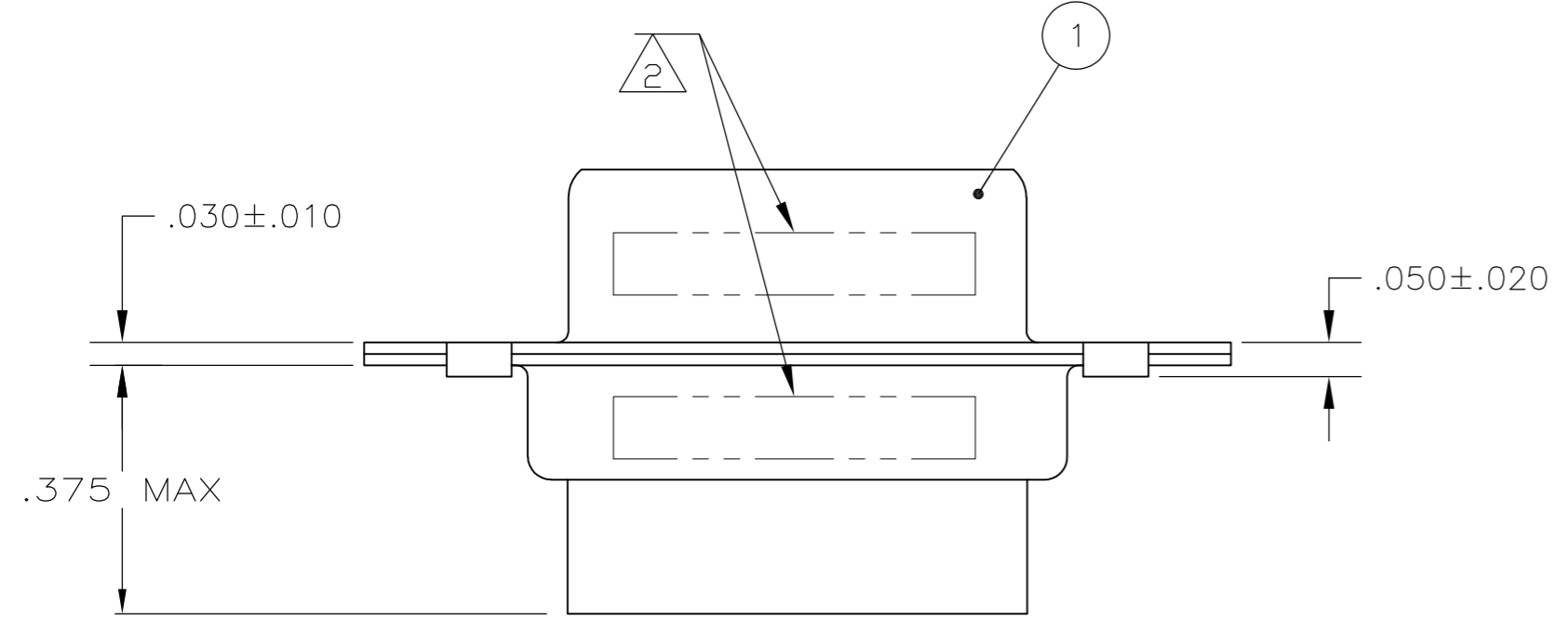


THIS DRAWING IS UNPUBLISHED. RELEASED FOR PUBLICATION
 © COPYRIGHT BY TYCO ELECTRONICS CORPORATION. ALL INTERNATIONAL RIGHTS RESERVED.

LOC		DIST		REVISIONS			
P	LTR	DESCRIPTION		DATE	DWN	APVD	
	H	REV PER ECO 09-016309		9-1-09	CT	RL	



- ① FOR CONNECTOR ASSEMBLIES, TE CONTACT PART NOS. 205089-1 MUST BE ORDERED SEPARATELY. CONNECTORS WITH CONTACTS ARE SUPPLIED WITH CONTACT 205089-1
- ② MARKING SHALL BE LOCATED ON PART AS FOLLOWS:
 - A. "M24308" ON FRONT SHELL, FAR SIDE.
 - B. SLASH SHEET AND DASH NUMBER ON REAR SHELL, FAR SIDE.
 - C. "MFG'S NAME, BRAND OR LOGO" AND DATE CODE ON FRONT SHELL, NEAR SIDE.
 - D. MFG'S PART NUMBER ON REAR SHELL, NEAR SIDE.



SUPERSEDED BY 206795-2 & 205089-1 & 91067-2	205558-5	M24308/8-7F	205089-1	91067-2	205164-2	205558-5
	OBSOLETE	205558-4	M24308/8-2F	205089-1	-	205558-4
		205558-3	M24308/4-7F	205089-1	91067-2	205558-3
		205558-2	M24308/4-2F	205089-1	-	205558-2
SUPERSEDED BY 205164-1 AND 91067-2	205558-1	-	-	91067-2	205164-1	205558-1

TE P/N MARKED ON PACKAGE	MILITARY P/N MARKED ON PACKAGE	③ PIN CONTACT QTY. = 15	①	② INSERTION/EXTRACTION TOOL QTY. = 1	① PLUG ASSY QTY. = 1	PART NUMBER
--------------------------	--------------------------------	-------------------------	---	--------------------------------------	----------------------	-------------

THIS DRAWING IS A CONTROLLED DOCUMENT.

DWN P. YEAGER 11MAR09	Tyco Electronics Corporation Harrisburg, PA 17105-3608
CHK R. LEASE 12MAR09	
APVD R. LEASE 12MAR09	
PRODUCT SPEC	
APPLICATION SPEC	NAME
WEIGHT	SIZE A2
CUSTOMER DRAWING	CAGE CODE 00779
	DRAWING NO C=205558
	RESTRICTED TO
	SCALE 4:1
	SHEET 1 of 1
	REV H

205558

X-ON Electronics

Largest Supplier of Electrical and Electronic Components

Click to view similar products for [D-Sub MIL Spec Connectors](#) category:

Click to view products by [TE Connectivity](#) manufacturer:

Other Similar products are found below :

[M85049/50-5F](#) [D38999/24WG11PB-LC](#) [MDM-9SH006A](#) [1218697-4](#) [D38999/26WJ61PC L/C](#) [1484349-1](#) [17D25HV](#) [1996840-1](#) [243082-15](#)
[1757682-1](#) [17D-E51218-1](#) [17SDA15S](#) [1883533-1](#) [1883886-1](#) [1883889-1](#) [192900-0377](#) [M24308/8-347](#) [M83513/03-E09C](#) [443961-3](#) [5-](#)
[1218949-1](#) [550-031NF1R6K](#) [3-1236089-2](#) [550E001NF1R3J0L](#) [550T001NF1R6K0L](#) [557T283NF5B08](#) [DB121073-56](#) [DC121073157](#)
[443869-3](#) [443869-4](#) [443869-5](#) [550S004NF1R1B0F03](#) [557E283NF1A06](#) [527-019NF0303R2K1F](#) [5-446405-1](#) [550-031NF1R2E](#)
[550E003M2R9J0F04](#) [550E003M3R9J0F05](#) [550E024M104R9J0](#) [550E024NF102R3J0B](#) [550E039NF1R3J1-02](#) [550S003M3R9B0F05](#)
[550S004M4R7M0F04](#) [550S004NF1R1B1F02](#) [550S008M3F0K0F04](#) [550S086M5R3J0L](#) [550S100NF3F0E](#) [550T001M2R7E0L](#)
[550T001NF1F0B1L](#) [550T001NF1R1K0G](#) [550T001NF1R3K0G](#)