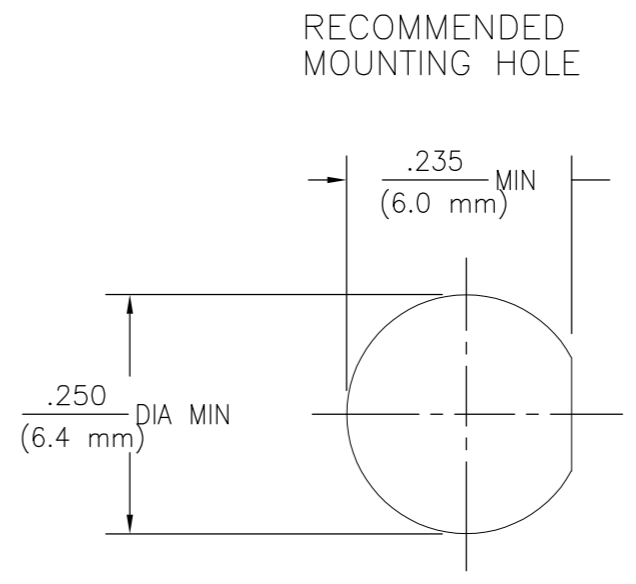
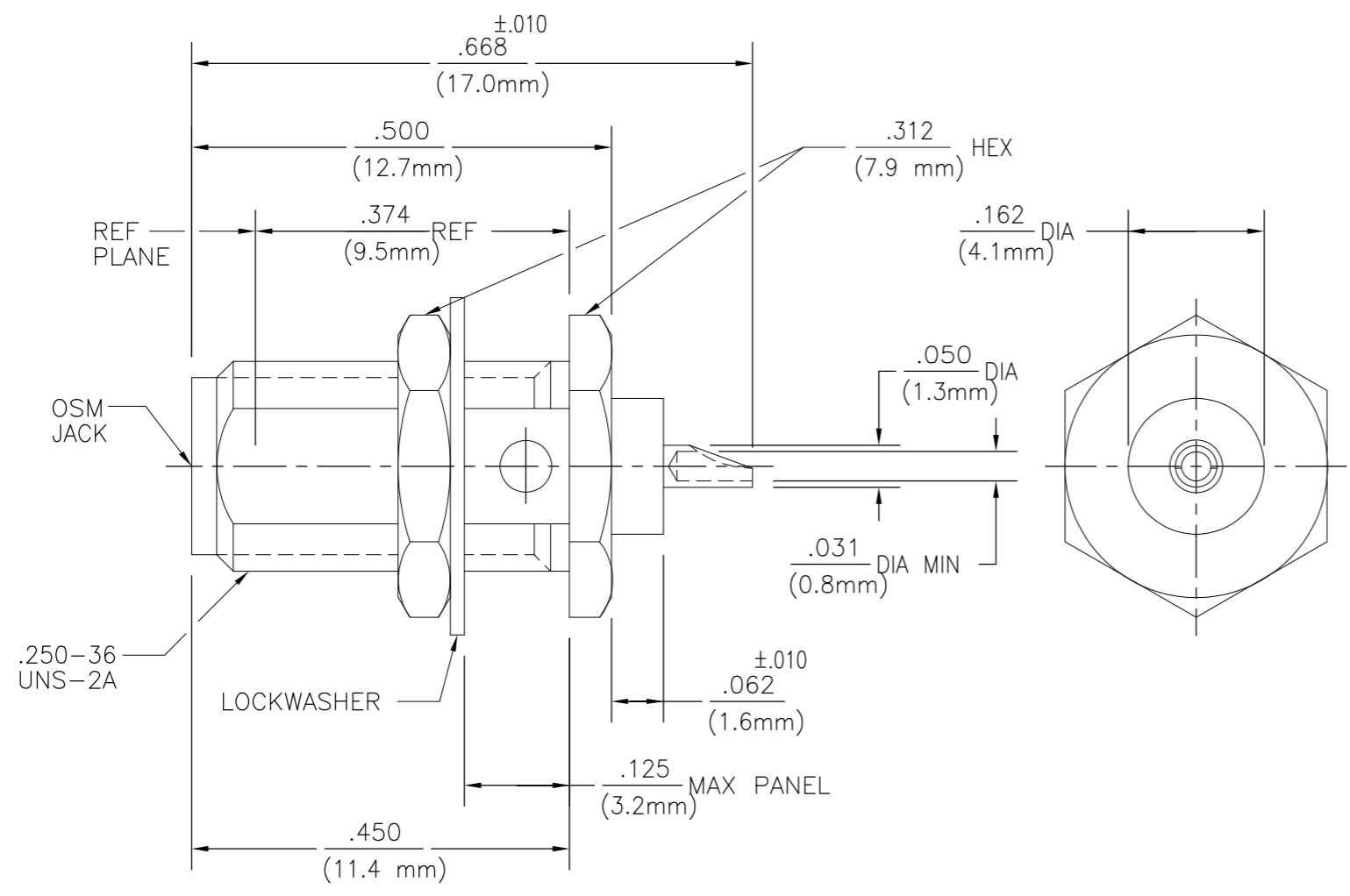


THIS DRAWING IS UNPUBLISHED. RELEASED FOR PUBLICATION
 © COPYRIGHT BY TYCO ELECTRONICS CORPORATION. ALL INTERNATIONAL RIGHTS RESERVED.

LOC	DIST	REVISIONS					
		P	LTR	DESCRIPTION	DATE	DWN	APVD
HC	00		A	ECN 93-0104	08-03-93	AD	BB
			B	REVISED PER ECO-08-030676	26-02-09	AEG	JKO



- ① BRASS
- ② STAINLESS STEEL
- ③ BERYLLIUM COPPER
- ④ PTFE
- ⑤ GOLD PLATE

ELECTRICAL	MECHANICAL	ENVIRONMENTAL
Nominal Impedance (Ohms) <u>50</u>	Interface Dimensions MIL-STD-348A, Fig. 310.2	TEMPERATURE RATING <u>-65°C TO 125°C</u>
Frequency Range (GHz) DC to <u>18.0</u>	Recommended Mating Torque <u>7 to 10</u>	Vibration MIL-STD-202, Method 204, Condition D
Volt Rating (VRMS MAX) @ Sea Level <u>335</u>	Mating Characteristics:	Shock MIL-STD-202, Method 213, Condition I
VSWR <u>N/A</u>	Insertion (MAX Lbs) <u>3.0</u>	Thermal Shock MIL-STD-202, Method 107, Condition B, EXCEPT HIGH TEMP +115°C
Insertion Loss (dB MAX) <u>N/A</u>	Withdrawal (MIN Oz) <u>1.0</u>	Moisture Resistance MIL-STD-202, Method 106, Except Vibration Shall Be Omitted
RF Leakage (dB MIN) <u>N/A</u>	Force to Engage and Disengage (In-Lbs MAX) <u>2.0</u>	Corrosion - MIL-STD-202, Method 101, Condition B, 5% salt spray
Dielectric Withstanding Voltage (VRMS MIN) @ Sea Level <u>1000</u>	Center Contact Captivation Axial (Lbs) <u>6.0</u>	
Contact Resistance (Milliohms MAX) Center Contact <u>2.0</u>	Radial (In-Oz) <u>4.0</u>	
Outer Contact <u>2.0</u>	Cable Retention Axial Force (Lbs) <u>N/A</u>	
Cable to Housing <u>N/A</u>	Torque (In-Oz) <u>N/A</u>	
RF High Potential @ Sea Level (VRMS MIN @ 5 MHz) <u>670</u>	Weight (Grams) <u>TBD</u>	
I.R.(Megohms MIN) <u>10,000</u>		

①⑤	①⑤	②⑤	④	③⑤	1053072-3
②⑤	②⑤	②⑤	④	③⑤	1053072-1
HOUSING	MOUNTING NUT	LOCKWASHER	DIELECTRIC	CONTACT	TE PN

THIS DRAWING IS A CONTROLLED DOCUMENT.

DIMENSIONS: INCHES	TOLERANCES UNLESS OTHERWISE SPECIFIED:	DWN B.W.C. 6/6/67	Tyco Electronics Corporation Harrisburg, PA 17105-3608
	0 PLC ± -	CHK P.R.B. 5/9/68	
	1 PLC ± -	APVD P.E.G. 6/5/68	
	2 PLC ± -	PRODUCT SPEC -	
	3 PLC ± .005	NAME	OSM BULKHEAD FEEDTHRU JACK RECEPTACLE SOLDER POT TERMINAL
	4 PLC ± -	SIZE	A3
	ANGLES ± 1°	CAGE CODE	00779
MATERIAL -	FINISH -	DRAWING NO	1053072
		RESTRICTED TO	-
		WEIGHT -	
		CUSTOMER DRAWING	SCALE 5:1
			SHEET 1 OF 1
			REV B

X-ON Electronics

Largest Supplier of Electrical and Electronic Components

Click to view similar products for [RF Connectors / Coaxial Connectors](#) category:

Click to view products by [TE Connectivity](#) manufacturer:

Other Similar products are found below :

[8915-1511-000](#) [89674-0827](#) [6001-7071-019](#) [6002-7051-003](#) [6002-7551-202](#) [6059674-1](#) [619550-1](#) [630059-000](#) [M39030/3-01N](#) [6500-7071-046](#) [6769](#) [CX050L2AQ](#) [7002-1541-010](#) [7002-1542-011](#) [7004-1512-000](#) [7009-1511-004](#) [7010-1511-000](#) [7029-1511-060](#) [7101-1541-010](#) [7101-1571-002](#) [7105-1521-002](#) [7145-1521-002](#) [7203-1571-003](#) [7209-1511-011](#) [7210-1511-015](#) [7210-1511-019](#) [73137-5015](#) [73216-2241](#) [73404-2300](#) [7405-1521-005](#) [7405-1521-802](#) [8527](#) [8547](#) [FS11V](#) [877931](#) [9049-9513-000](#) [9074-9513-000](#) [9101-9573-002](#) [910A205F](#) [9130-9573-002](#) [PL11SC-026](#) [PL375-33](#) [PL40-5](#) [PL74C-221](#) [PL75MC-217](#) [PL803-7](#) [1200690078](#) [1-201144-1](#) [R107003010W](#) [R110A172100](#)