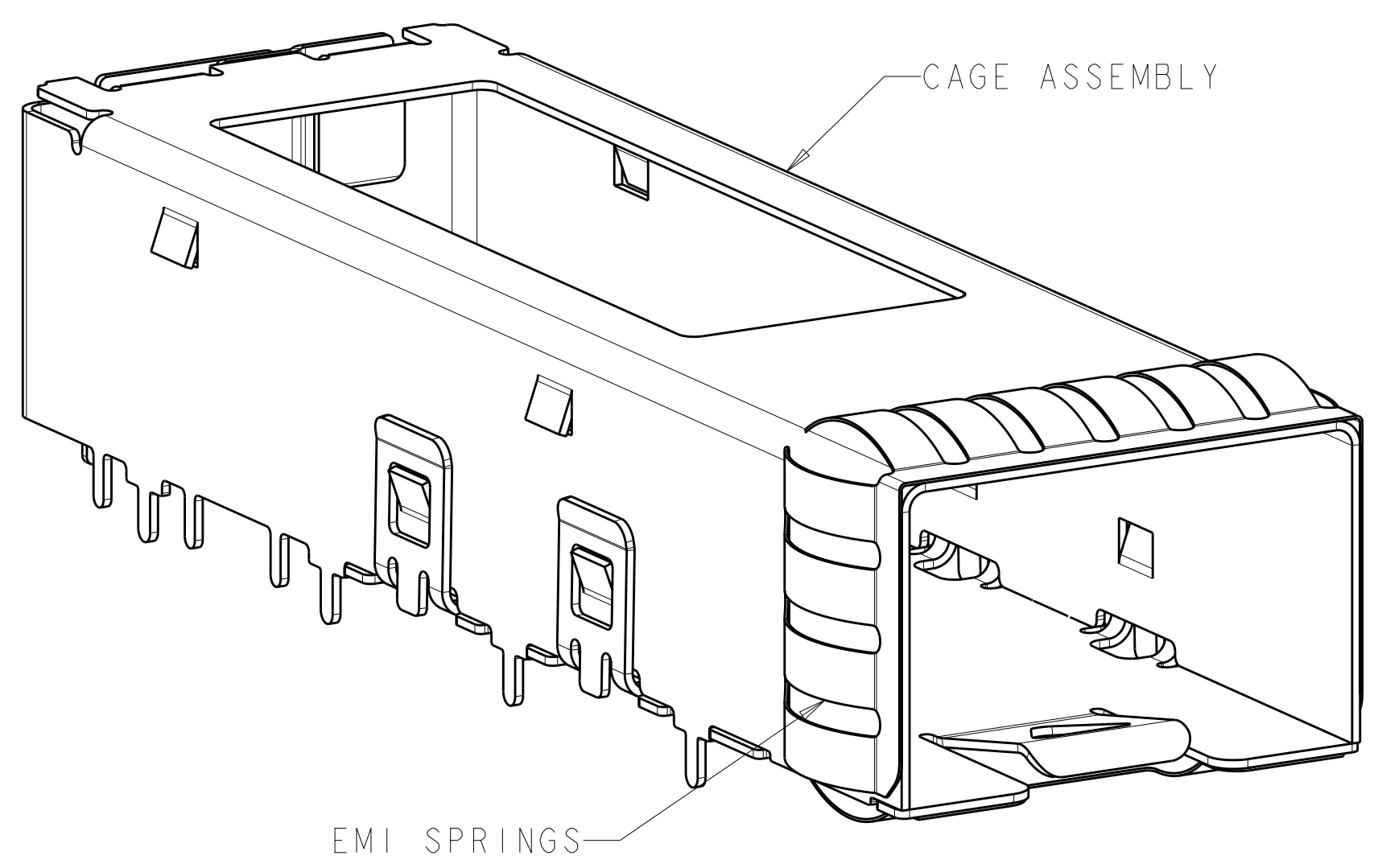
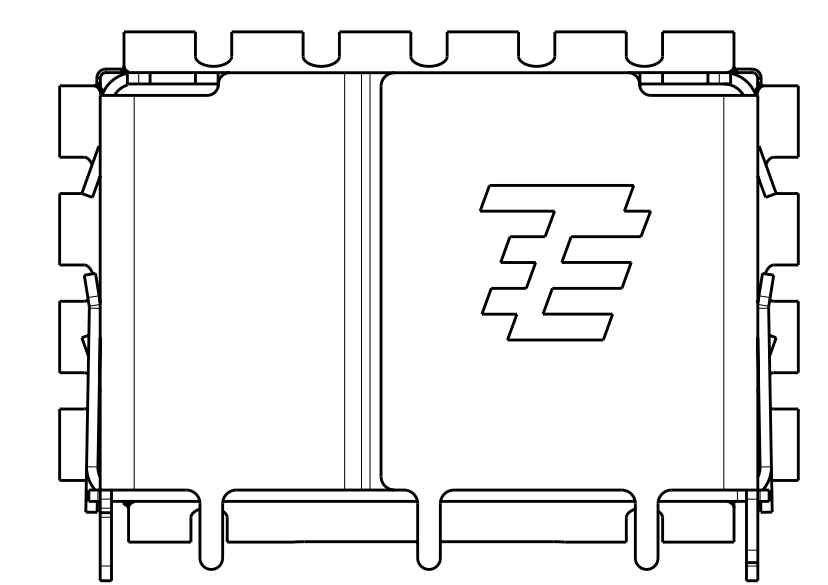
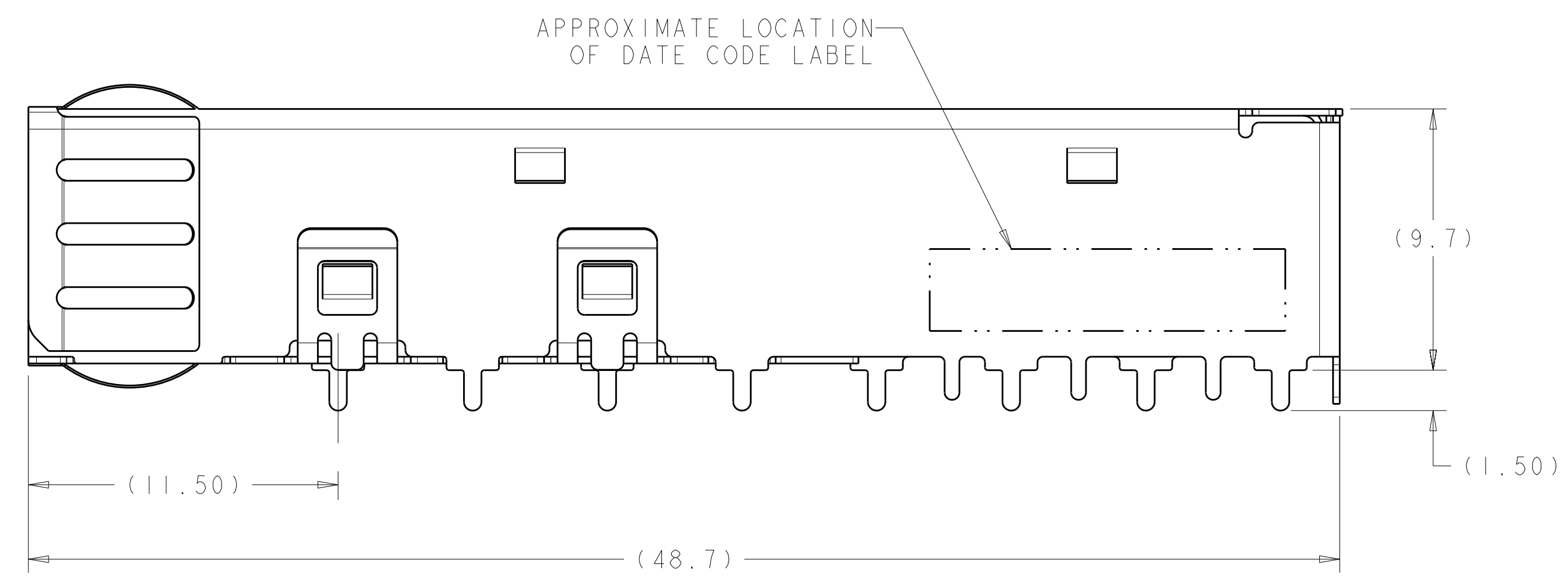
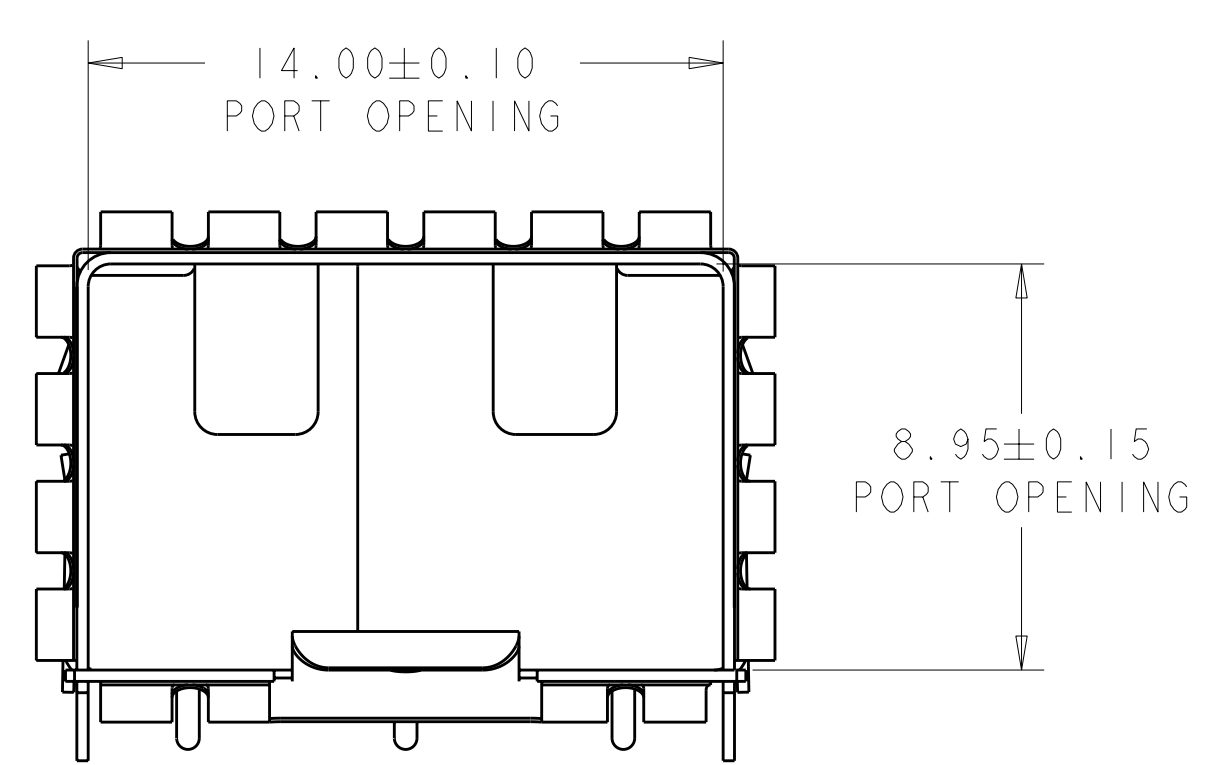
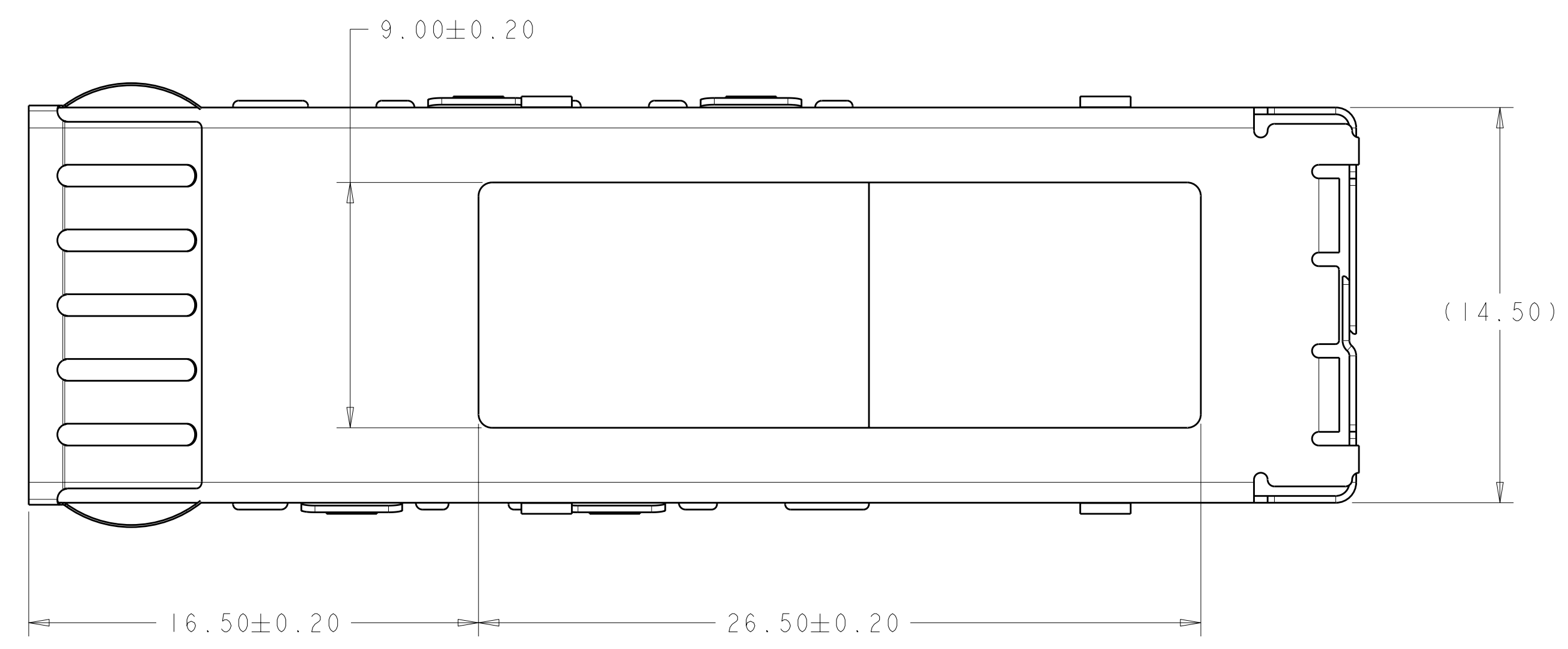


LOC	DIST	REVISIONS			
GP	00	REV	DATE	BY	APPV
		B	20OCT2009	CR	MS
		C	16JAN2012	TX	AC



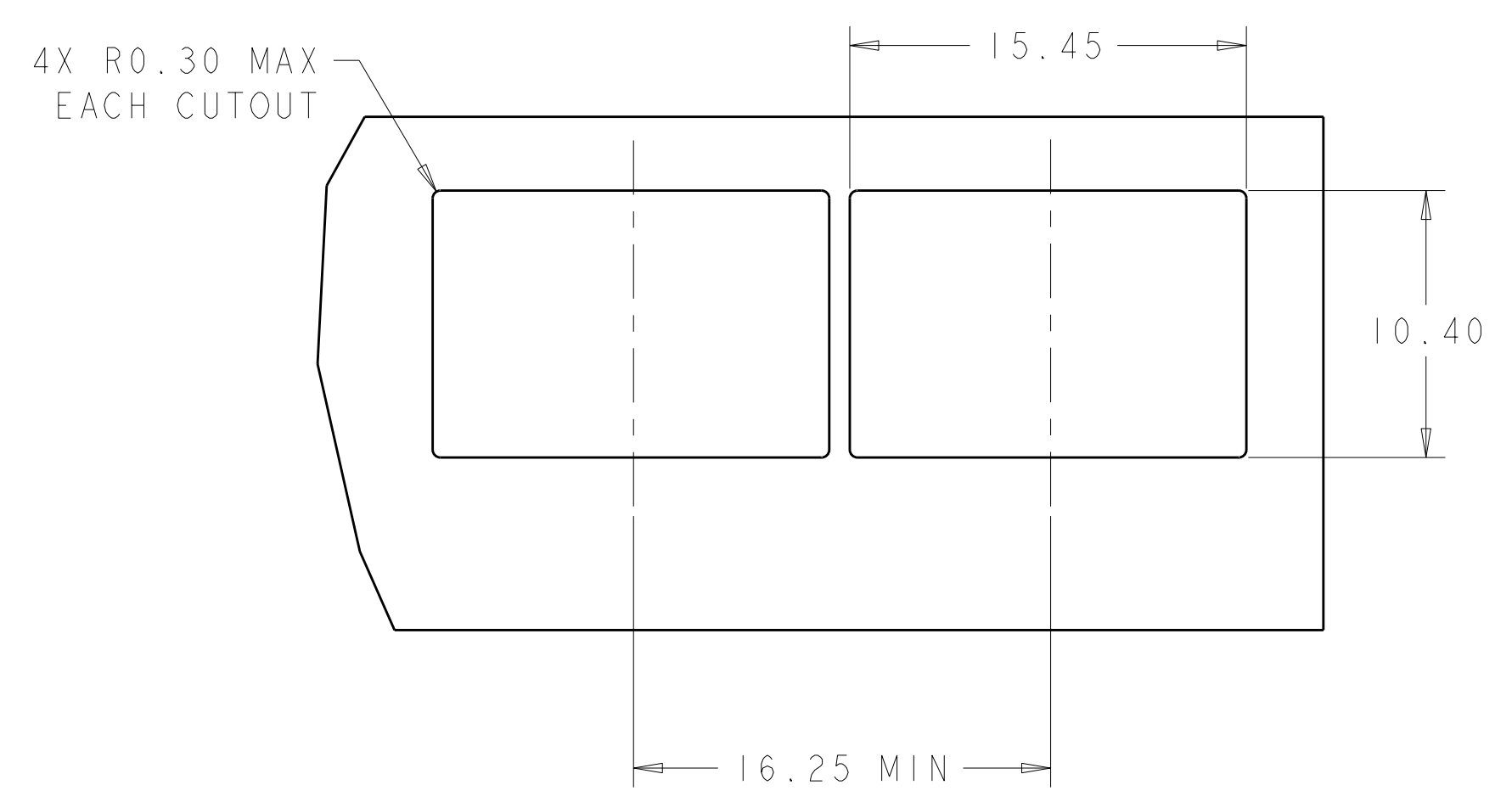
- 1 MATERIAL:
CAGE ASSEMBLY - NICKEL-SILVER ALLOY.
EMI SPRINGS - COPPER ALLOY.
- 2 FINISH:
EMI SPRINGS - 0.8um MIN MATTE TIN OVER 0.8um MIN NICKEL
NON PLATED EDGES PERMISSIBLE.
- 3. MATES WITH SFP MSA COMPLIANT TRANSCEIVERS.
- 4 PADS AND VIAS CHASSIS GROUND.
- 5 DATUMS AND BASIC DIMENSIONS ESTABLISHED BY CUSTOMER.
- 6. MINIMUM PC BOARD THICKNESS:
SINGLE SIDED = 1.50mm
- 7. REMOVED



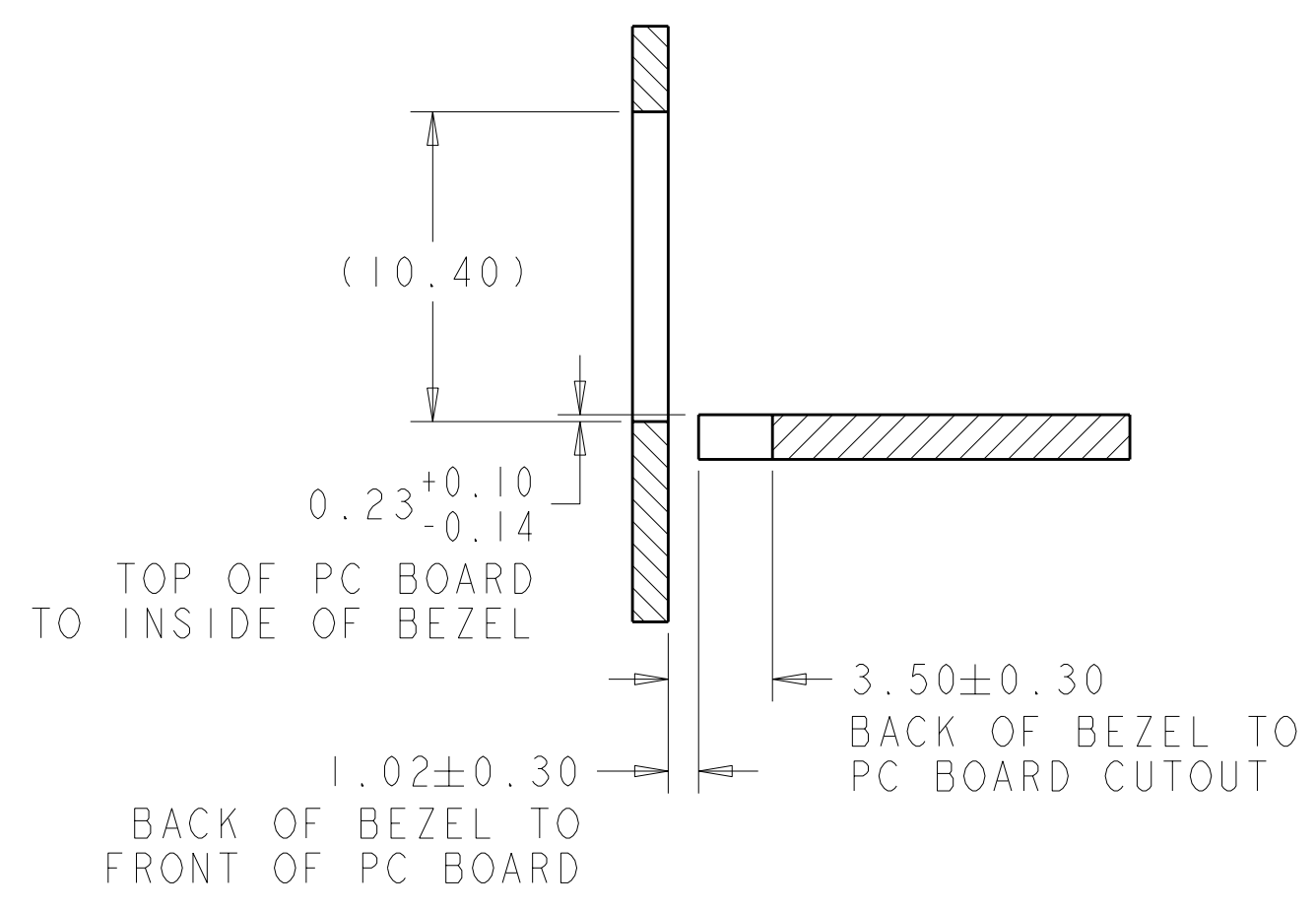
2057021-1
PART NUMBER

THIS DRAWING IS A CONTROLLED DOCUMENT.		DWN M. SCHMITT 2/FEB/2008	TE Connectivity NAME SFP+ 1X1 CAGE ASSEMBLY W/ HEATSINK OPENING, SHORT SOLDER TAILS, EXTERNAL EMI SPRINGS SIZE CAGE CODE DRAWING NO RESTRICTED TO A100779C=2057021 SCALE 6:1 SHEET 1 OF 2 REV C
DIMENSIONS: mm		CHK M. SCHMITT 2/FEB/2008	
TOLERANCES UNLESS OTHERWISE SPECIFIED:		APPV M. WALMSLEY 2/FEB/2008	
0 PLC ±0.1 1 PLC ±0.1 2 PLC ±0.1 3 PLC ±0.05 4 PLC ±0.05 ANGLES ±0.05		PRODUCT SPEC 108-2364 APPLICATION SPEC 114-13120 WEIGHT CUSTOMER DRAWING	

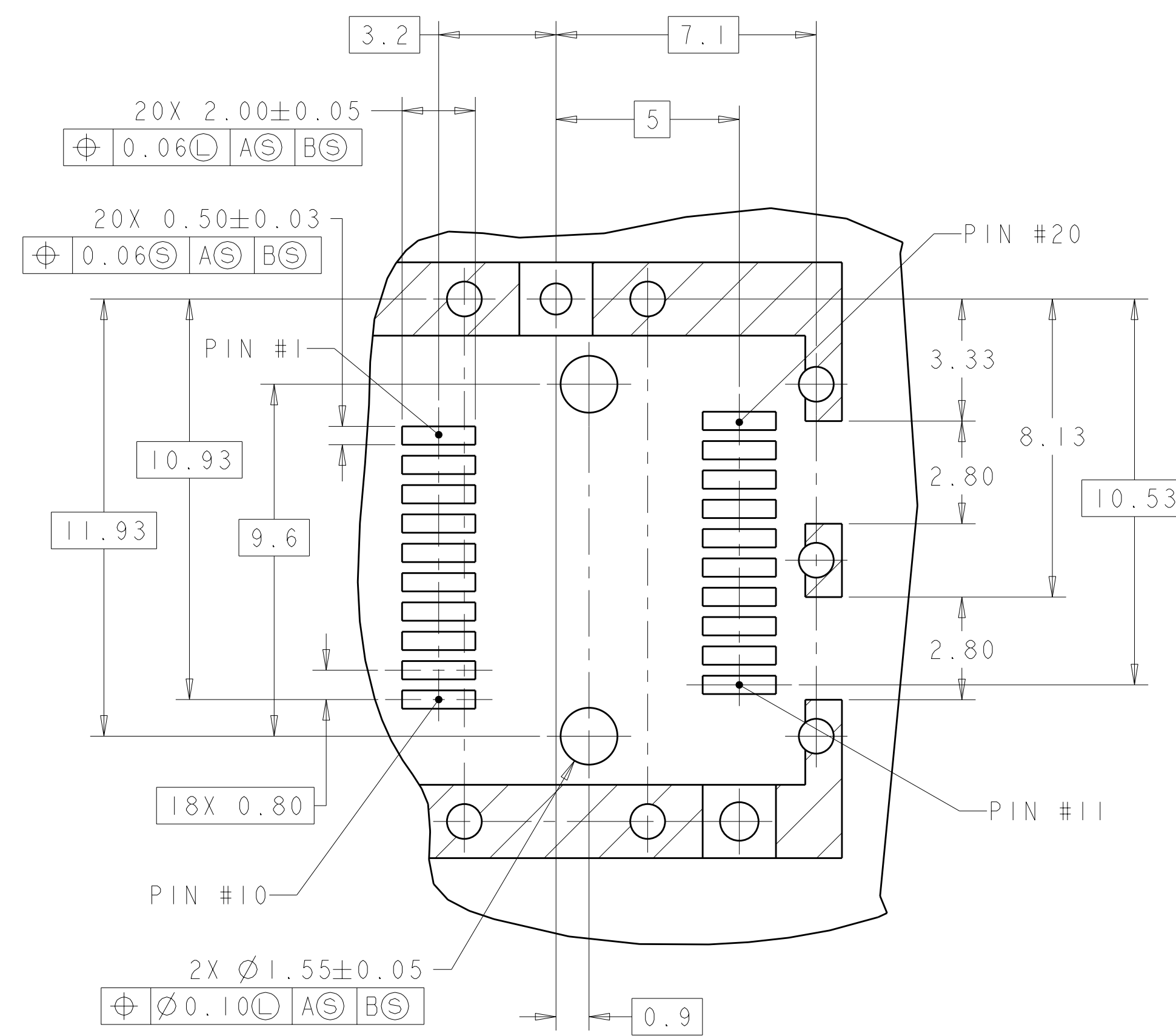
LOC	DIST	REV	DATE	BY	APPD
GP	00				



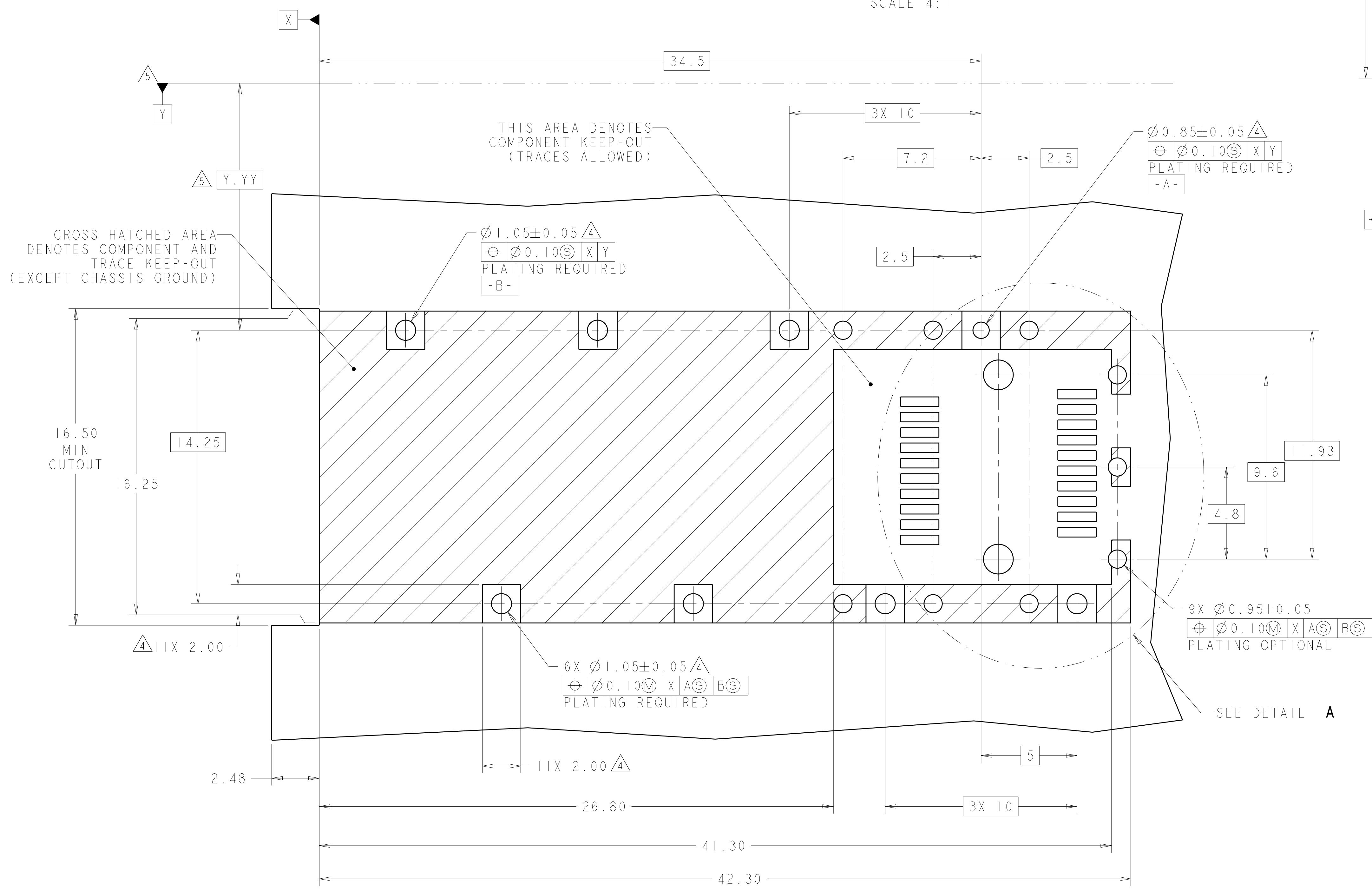
RECOMMENDED BEZEL CUTOUT
SCALE 4:1



RECOMMENDED BEZEL AND
PC BOARD ORIENTATION
SCALE 4:1



DETAIL A
SCALE 8:1



RECOMMENDED PCB LAYOUT
SCALE 8:1

THIS DRAWING IS A CONTROLLED DOCUMENT.		DWN M. SCHMITT 2/FEB/2008	TE Connectivity
DIMENSIONS: mm		CHK M. SCHMITT 2/FEB/2008	
TOLERANCES UNLESS OTHERWISE SPECIFIED:		APVD M. WALMSLEY 2/FEB/2008	
9 PLC ±0.1 3 PLC ±0.1 5 PLC ±0.05 4 PLC ±0.05 ANGLES ±0.05		NAME: SFP+ 1X1 CAGE ASSEMBLY W/ HEATSINK OPENING, SHORT SOLDER TAILS, EXTERNAL EMI SPRINGS PRODUCT SPEC: 108-2364 APPLICATION SPEC: 114-13120 WEIGHT: - CUSTOMER DRAWING: A100779C=2057021	
MATERIAL: - FINISH: -		SCALE: 6:1	SHEET: 2 OF 2 REV: C

X-ON Electronics

Largest Supplier of Electrical and Electronic Components

Click to view similar products for [I/O Connectors](#) category:

Click to view products by [TE Connectivity](#) manufacturer:

Other Similar products are found below :

[571763P](#) [58098-0628](#) [D20419-211](#) [D38999/20FJ24PA L/C](#) [D38999/20FJ29SB L/C](#) [D38999/24FG11SN L/C](#) [72.250.1628.2](#) [72.250.2428.2](#)
[74720-0505](#) [76.350.0729.0](#) [76871-1403](#) [FCN-244F080-G/1](#) [FCN-260A9920](#) [FCN-268D024-G/2F#10X-R10](#) [PCS-E50FA](#) [PCS-XE26LKA](#)
[PCS-XE26MA+](#) [PCS-XES68MS+](#) [G38A71314B](#) [DX40-50P\(55\)](#) [1571250010](#) [157-22500-3](#) [MS3471L14-19P L/C](#) [1888020-8](#) [91-569786-](#)
[35H](#) [91-569786-35M](#) [91-644626-35P](#) [SM3100F14S-58S](#) [172501-4002](#) [172501-6002](#) [FCN-260C008-A/L0](#) [FCN-260C024-AL0](#) [FCN-](#)
[261Z008](#) [FCN-268D008-G/1K](#) [2000314-1](#) [200331-1](#) [2007498-2](#) [PCR-E28LMDAG1+](#) [PCR-E36FC+](#) [PCS-E28FS+](#) [PCS-XE26SLFD+](#) [PCS-](#)
[XE26SLFDT+](#) [G38A71214B](#) [HDRA-E68W1LFDTC-SL+](#) [HDR-E14MSG1+](#) [R88A-CNK81S](#) [CRT1-ATT02](#) [54182-0605](#) [U90B2054081210](#)
[UE86K842720321](#)