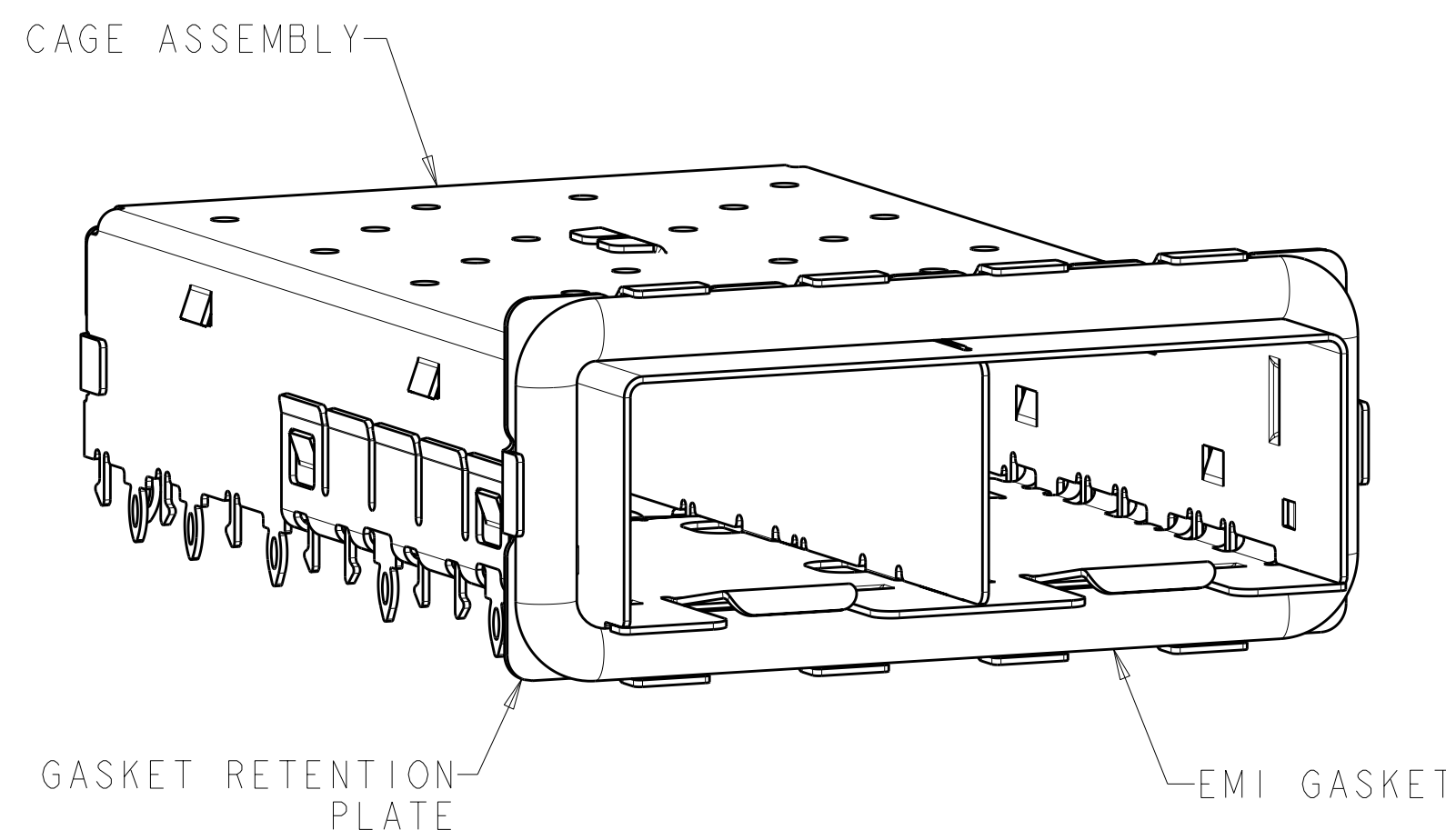
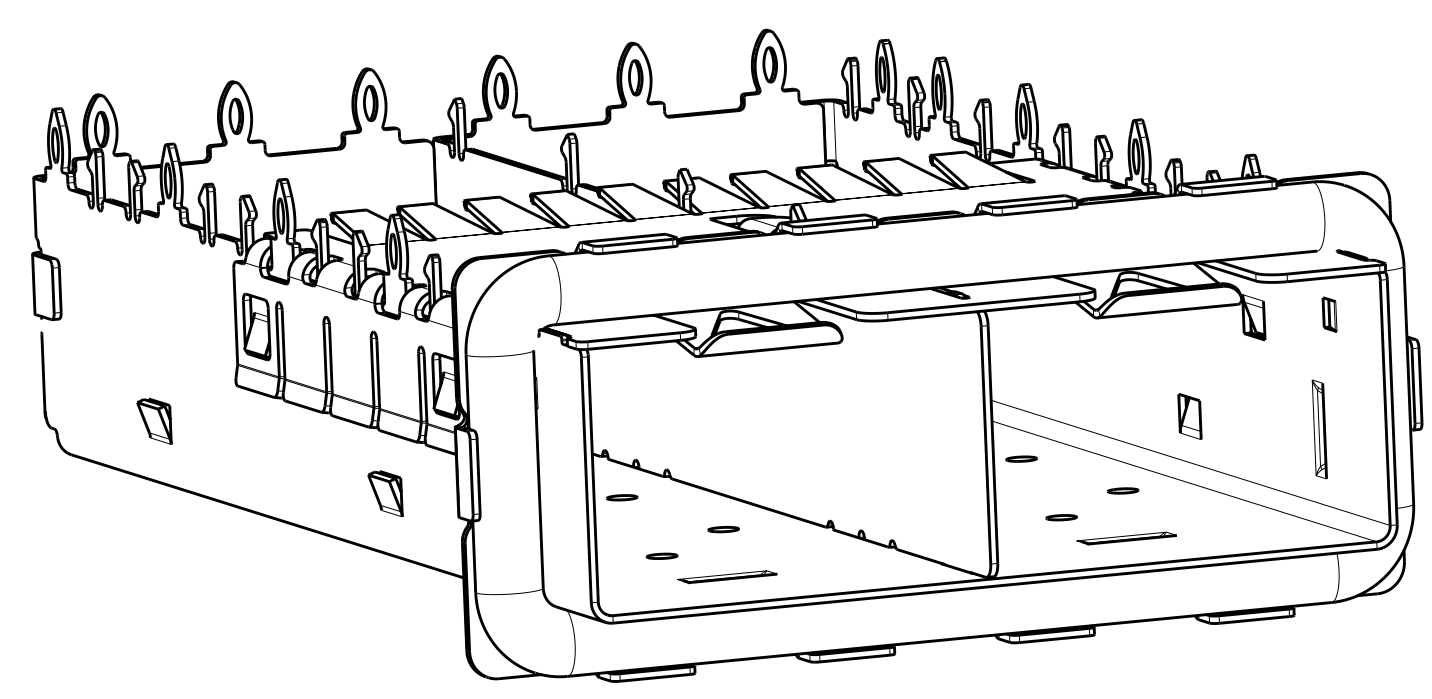


LOC	DIST	REV	DESCRIPTION	DATE	OWN	APPD
GP	00	A	RELEASED PER ECO-10-025263	17FEB2011	CJV	JTL

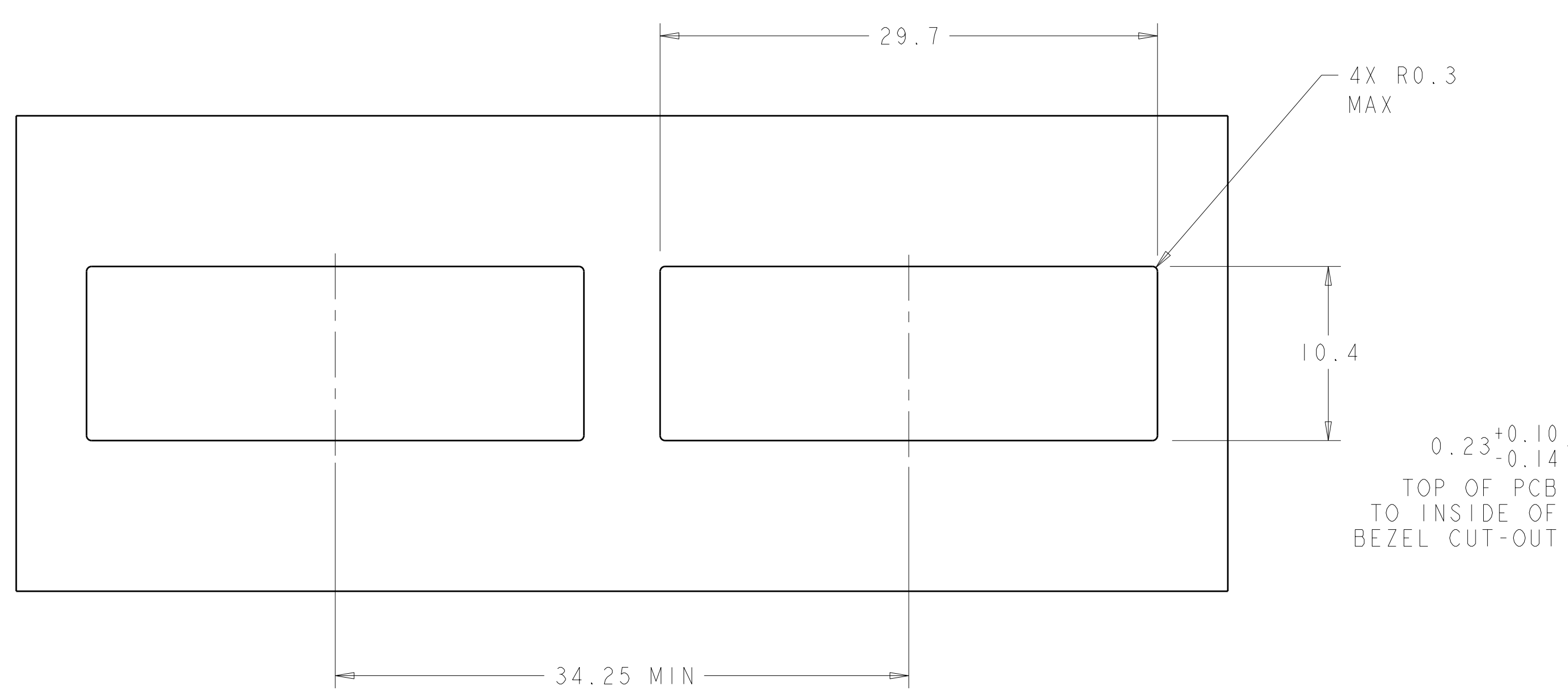
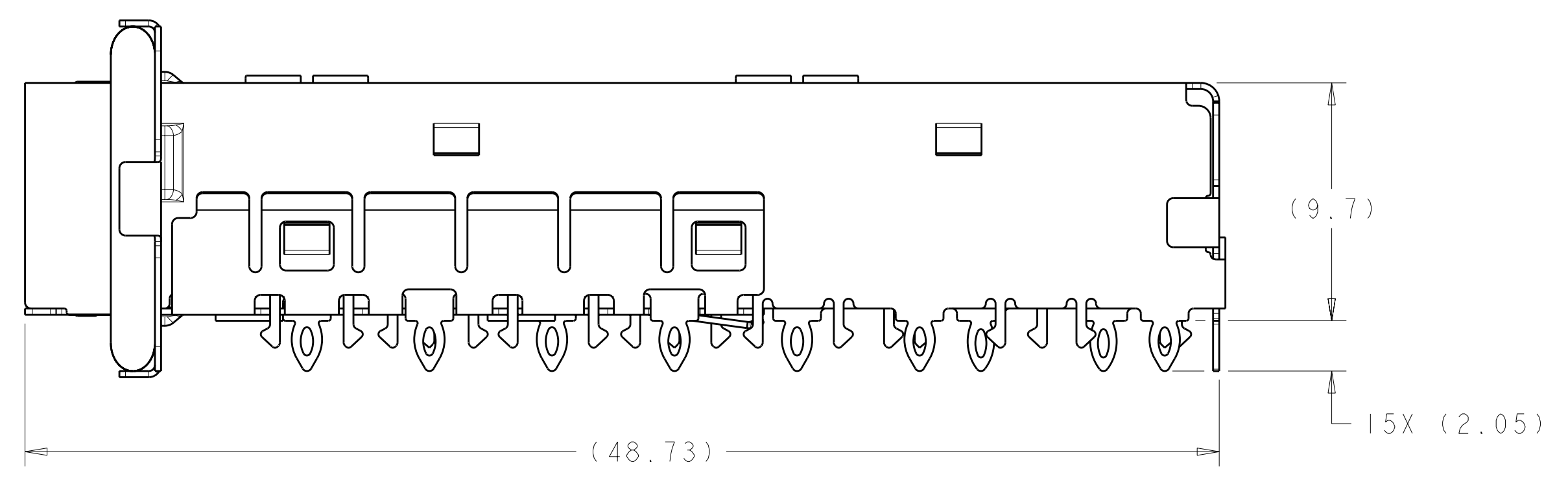
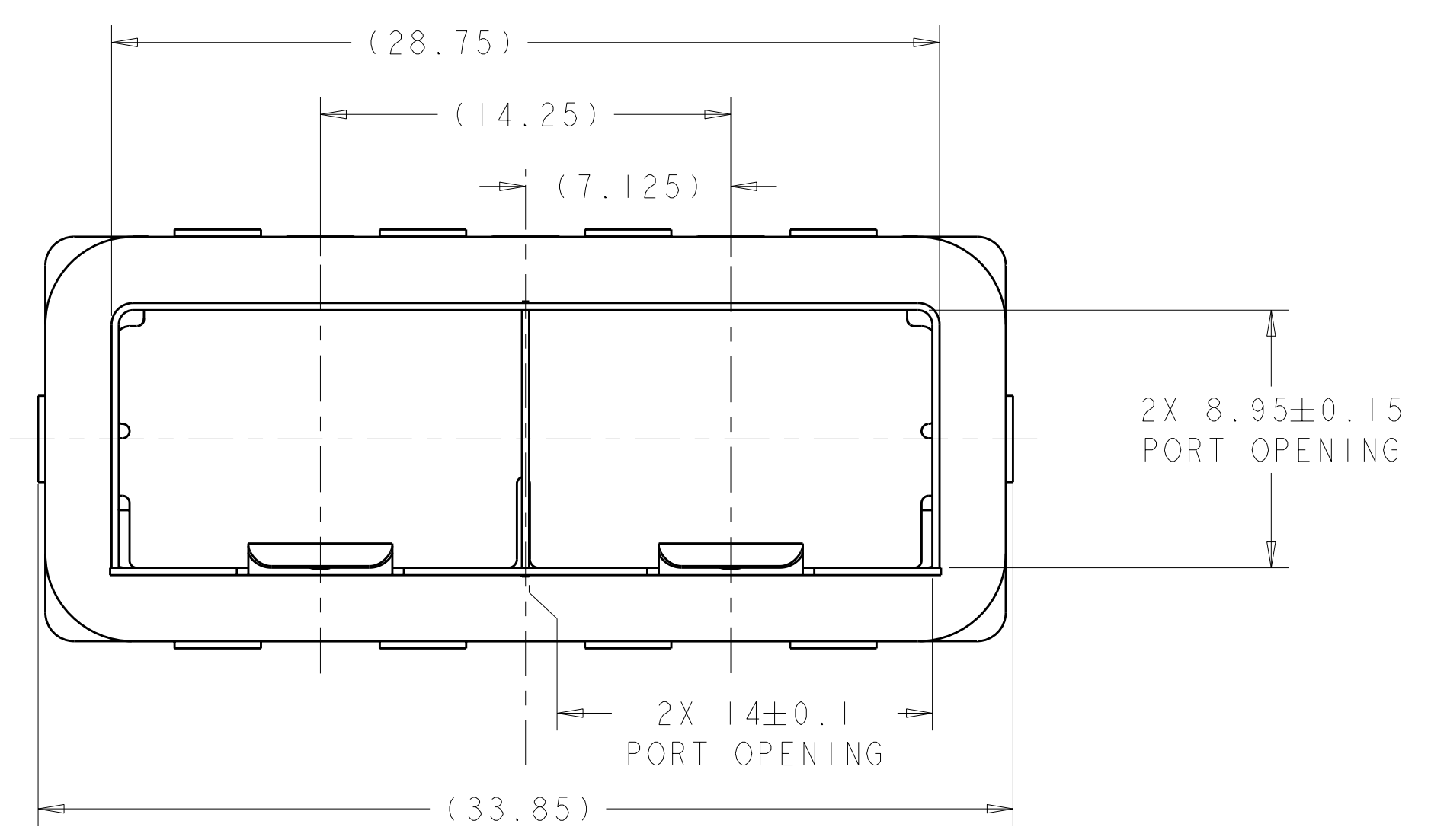


2057070-1  
 SCALE 4:1

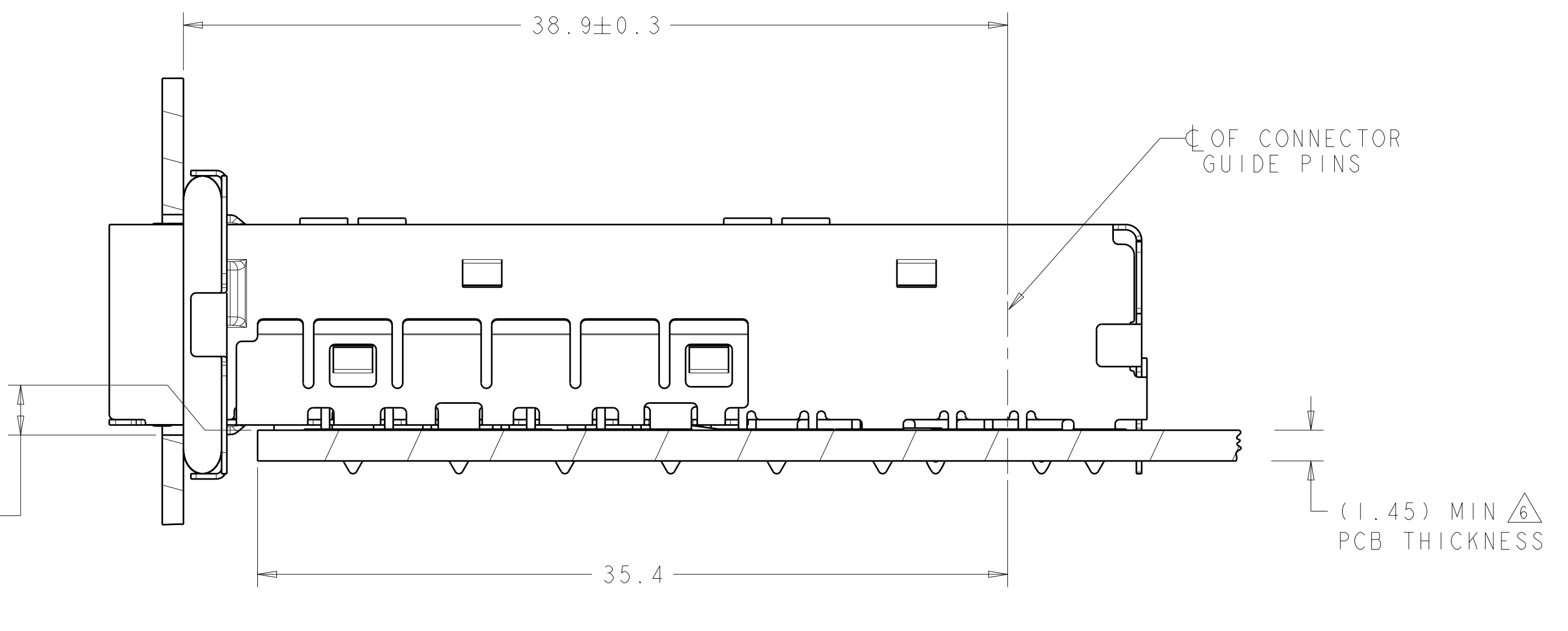


ISOMETRIC BOTTOM VIEW  
 SCALE 4:1

- △ MATERIAL:  
 CAGE ASSEMBLY: NICKEL SILVER ALLOY, 0.25mm THK.  
 GASKET RETENTION PLATE: STAINLESS STEEL  
 EMI GASKET: PLATED FILLED SILICONE
- △ DATUM AND BASIC DIMENSION ESTABLISHED BY CUSTOMER.
- 3. MATES WITH SFP MSA COMPLIANT TRANSCEIVERS.
- △ PADS AND VIAS CHASSIS GROUND.
- 5. INTERPRETATION OF DATUM REFERENCE FRAME IN ACCORDANCE WITH SECT 4.4.1.1 OF ASME Y14.5M-1994.
- △ MINIMUM PC BOARD THICKNESS:  
 SINGLE SIDED = 1.45mm
- △ HOLE PATTERN REPEATS FOR EACH PORT, SPACING BETWEEN PORTS IS 14.25mm.
- △ REFERENCE APPLICATION SPEC. 114-13120, HOLE A, FOR RECOMMENDED DRILL HOLE DIAMETER AND PLATING THICKNESS.
- △ REFERENCE APPLICATION SPEC. 114-13120, HOLE B, FOR RECOMMENDED DRILL HOLE DIAMETER AND PLATING THICKNESS.



RECOMMENDED BEZEL CUT-OUT  
 SCALE 4:1

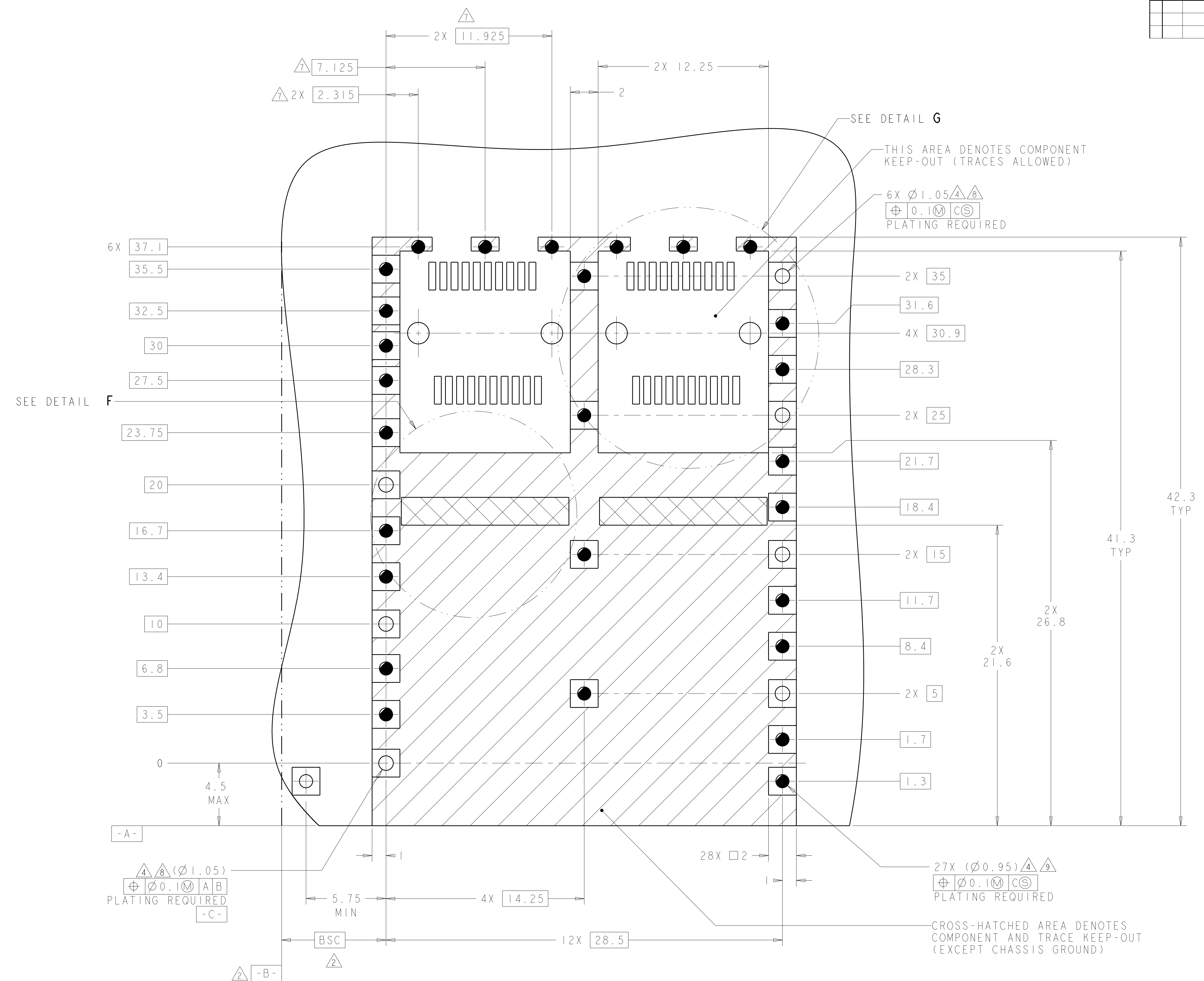


2057070-1  
 MOUNTED ON PCB, SHOWN THRU RECOMMENDED BEZEL

2057070-1  
 PART NUMBER

DIMENSIONS: mm 		TOLERANCES UNLESS OTHERWISE SPECIFIED: 9 PLC ±0.13 1 PLC ±0.1 2 PLC ±0.08 3 PLC ±0.05 4 PLC ±0.05 ANGLES ±1°		DWN Z.M.REAM 12MAY2008 CHK M.R.SCHMITT 12MAY2008 APVD R.H.WERTZ 12MAY2008		Tyco Electronics Harrisburg, PA 17105-3608	
MATERIAL △ FINISH -		PRODUCT SPEC 108-2364 APPLICATION SPEC 114-13120		NAME SFP+ ENHANCED, 1X2 CAGE ASSEMBLY, PRESS FIT, EMI GASKET		SIZE CAGE CODE DRAWING NO RESTRICTED TO A 00779 C-2057070 -	
CUSTOMER DRAWING		WEIGHT -		SCALE 2:1 SHEET 1 OF 3 REV A		Tyco Electronics logo	

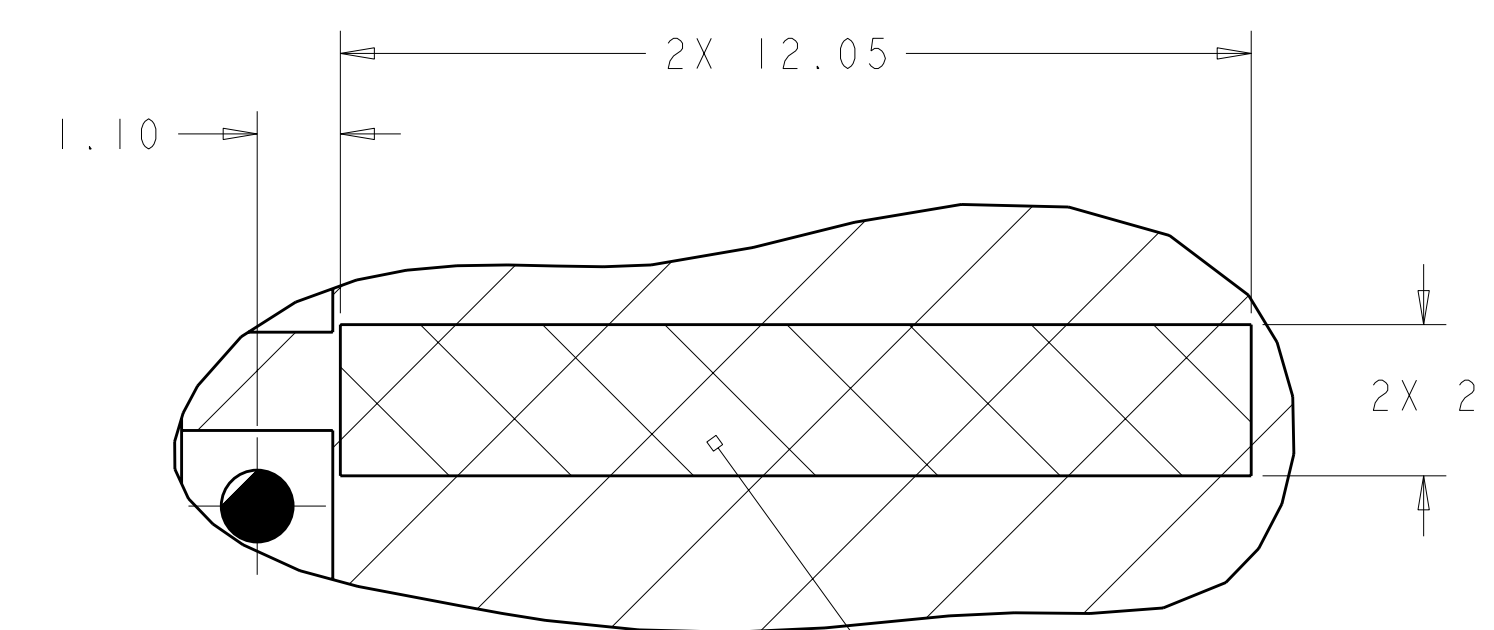
LOC	DIST	REVISIONS			
GP	00	REV	DATE	BY	APPD
		1	SEE SHEET 1		



RECOMMENDED PCB CONFIGURATION  
 W/ KEEP-OUT AREAS  
 SINGLE SIDED APPLICATIONS  
 SCALE 7:1

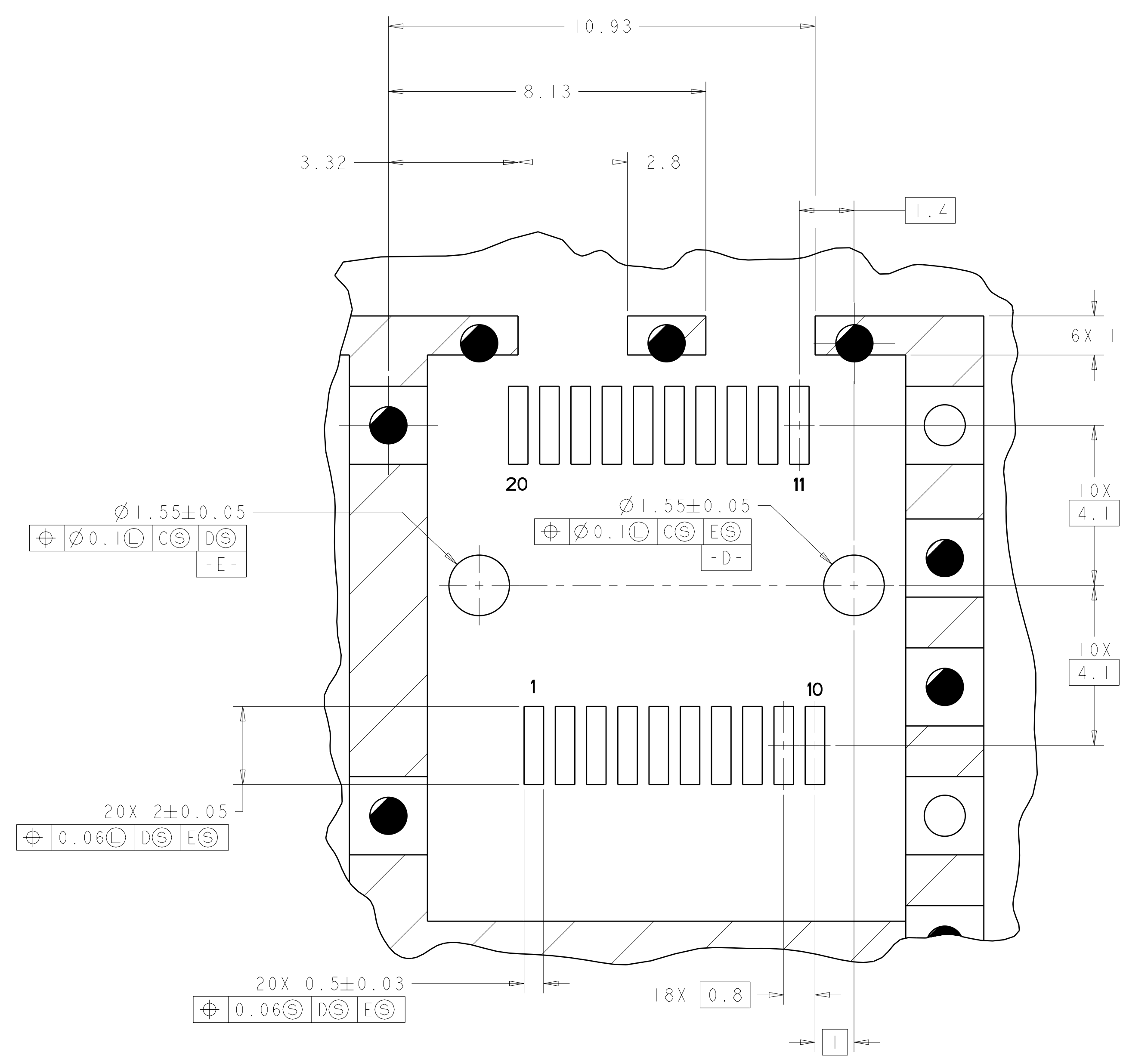
<small>THIS DRAWING IS UNPUBLISHED. RELEASED FOR PUBLICATION BY TYCO ELECTRONICS CORPORATION, ALL RIGHTS RESERVED.</small>		DWN: Z.M.BEAM 12MAY2008 CHK: M.R.SCHMITT 12MAY2008 APVD: P.H.WERTZ 12MAY2008	Tyco Electronics Harrisburg, PA 17105-3608
DIMENSIONS: mm 		TOLERANCES UNLESS OTHERWISE SPECIFIED: 9 PLC $\pm 0.13$ 1 PLC $\pm 0.1$ 2 PLC $\pm 0.08$ 3 PLC $\pm 0.05$ 4 PLC $\pm 0.05$ ANGLES $\pm 1^\circ$	NAME: SFP+ ENHANCED, 1X2 CAGE ASSEMBLY, PRESS FIT, EMI GASKET PRODUCT SPEC: 108-2364 APPLICATION SPEC: 114-13120 WEIGHT: - FINISH: -
MATERIAL: - FINISH: -		CUSTOMER DRAWING SCALE: 2:1 SHEET: 2 OF 3 REV: A	SIZE: A1 CAGE CODE: 00779 DRAWING NO: C=2057070 RESTRICTED TO: -

LOC	DIST	REV	DATE	BY	APPD
GP	00				
REVISIONS					



CROSS-HATCHED AREA DENOTES EXPOSED CHASSIS GROUND

DETAIL F  
SCALE 10:1



DETAIL G  
RECOMMENDED PT CONNECTOR LAYOUT  
2X INDIVIDUALLY  
SCALE 12:1

DIMENSIONS: mm 		TOLERANCES UNLESS OTHERWISE SPECIFIED: 9 PLC ±0.13 1 PLC ±0.1 2 PLC ±0.08 3 PLC ±0.05 4 PLC ±0.05 ANGLES ±1°		DWN: Z. M. BEAM 12MAY2008 CHK: M. R. SCHMITT 12MAY2008 APVD: P. H. WERTZ 12MAY2008		Tyco Electronics Harrisburg, PA 17105-3608	
MATERIAL: - FINISH: -		PRODUCT SPEC: 108-2364 APPLICATION SPEC: 114-13120		NAME: SFP+ ENHANCED, 1X2 CAGE ASSEMBLY, PRESS FIT, EMI GASKET		SIZE: A CAGE CODE: 00779 DRAWING NO: C-2057070	
CUSTOMER DRAWING		SCALE: 2:1		SHEET: 3 OF 3		REV: A	

## X-ON Electronics

Largest Supplier of Electrical and Electronic Components

*Click to view similar products for [I/O Connectors](#) category:*

*Click to view products by [TE Connectivity](#) manufacturer:*

Other Similar products are found below :

[571763P](#) [58098-0628](#) [D20419-211](#) [D38999/20FJ24PA L/C](#) [D38999/20FJ29SB L/C](#) [D38999/24FG11SN L/C](#) [72.250.1628.2](#) [72.250.2428.2](#)  
[74720-0505](#) [76.350.0729.0](#) [76871-1403](#) [FCN-244F080-G/1](#) [FCN-260A9920](#) [FCN-268D024-G/2F#10X-R10](#) [PCS-E50FA](#) [PCS-XE26LKA](#)  
[PCS-XE26MA+](#) [PCS-XES68MS+](#) [G38A71314B](#) [DX40-50P\(55\)](#) [1571250010](#) [157-22500-3](#) [MS3471L14-19P L/C](#) [1888020-8](#) [91-569786-](#)  
[35H](#) [91-569786-35M](#) [91-644626-35P](#) [SM3100F14S-58S](#) [172501-4002](#) [172501-6002](#) [FCN-260C008-A/L0](#) [FCN-260C024-AL0](#) [FCN-](#)  
[261Z008](#) [FCN-268D008-G/1K](#) [2000314-1](#) [200331-1](#) [2007498-2](#) [PCR-E28LMDAG1+](#) [PCR-E36FC+](#) [PCS-E28FS+](#) [PCS-XE26SLFD+](#) [PCS-](#)  
[XE26SLFDT+](#) [G38A71214B](#) [HDRA-E68W1LFDTC-SL+](#) [HDR-E14MSG1+](#) [R88A-CNK81S](#) [CRT1-ATT02](#) [54182-0605](#) [U90B2054081210](#)  
[UE86K842720321](#)