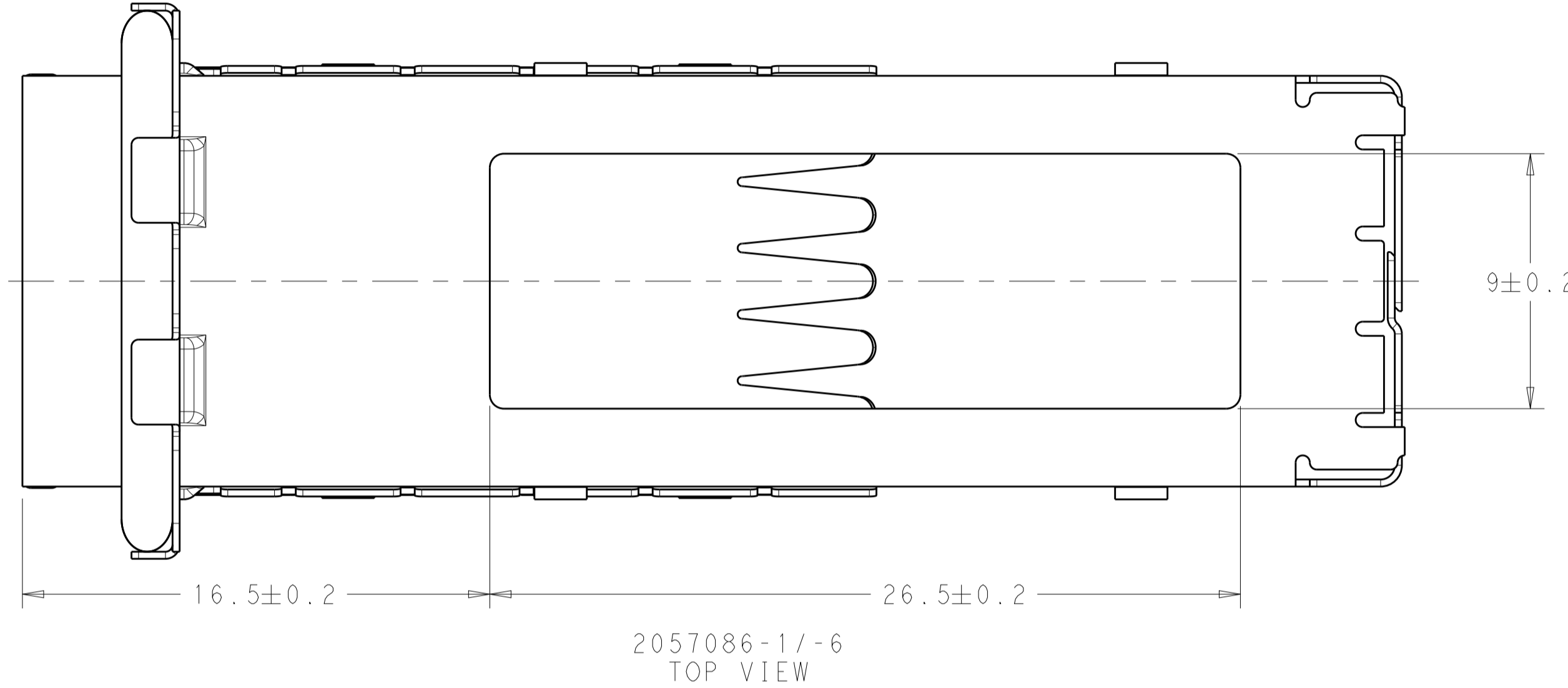
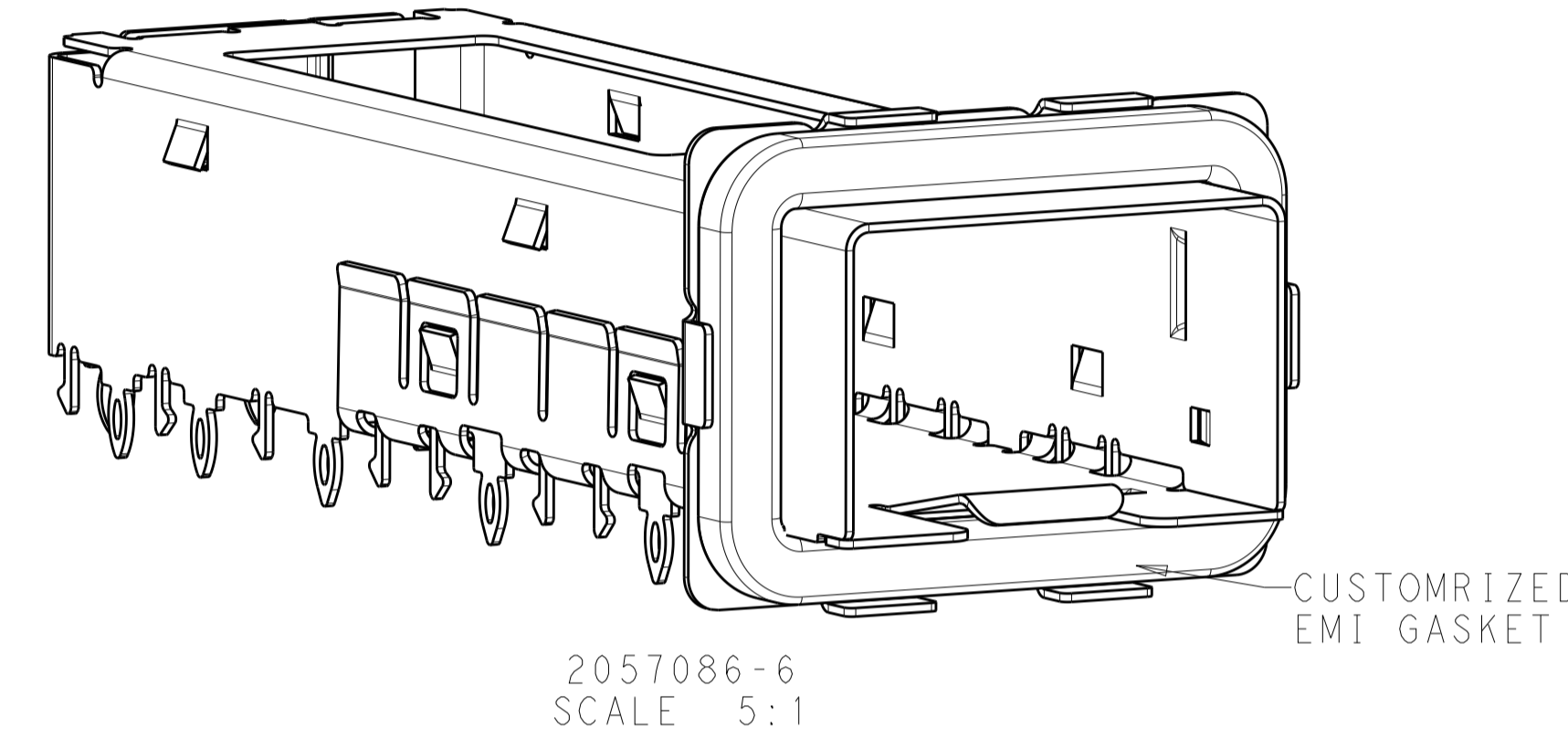
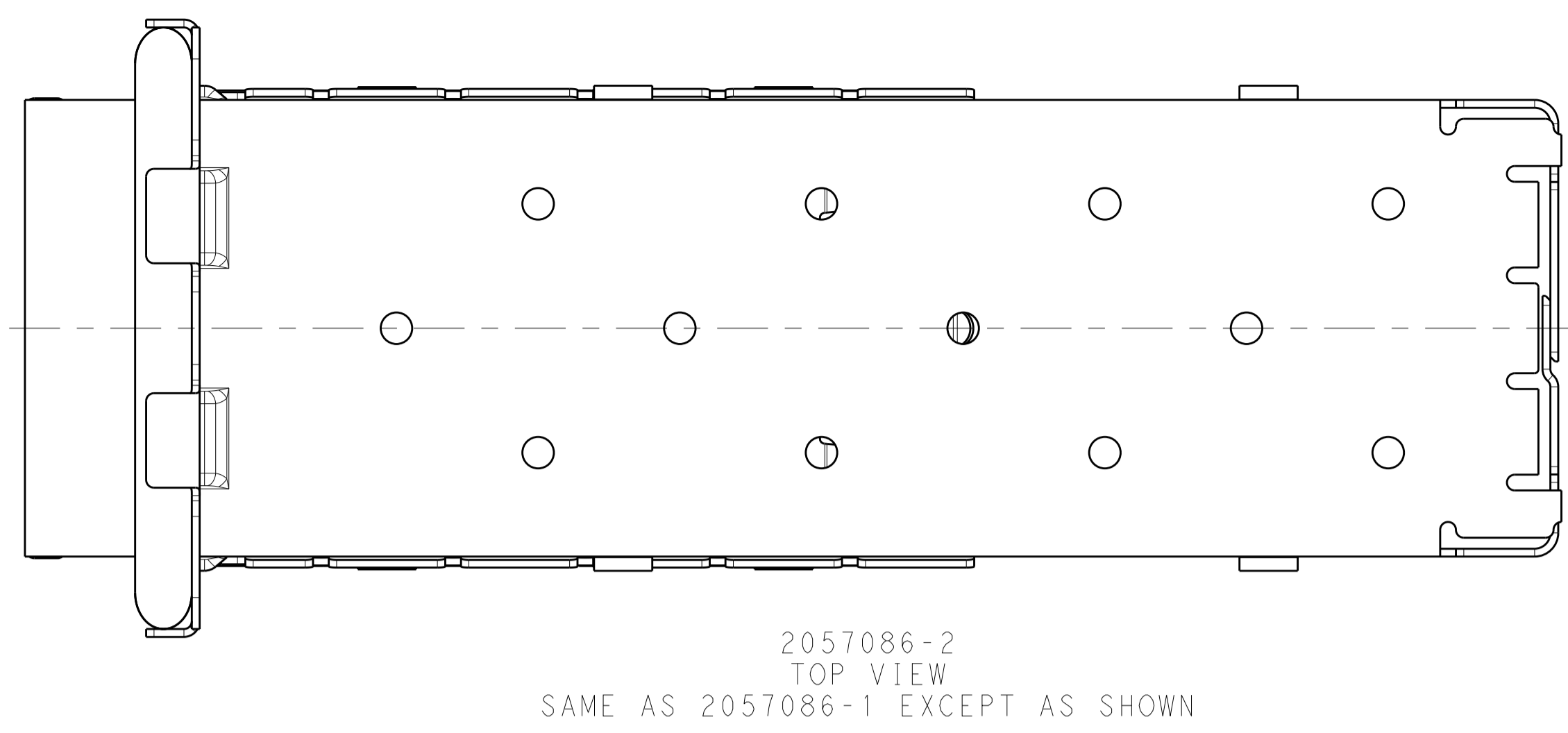
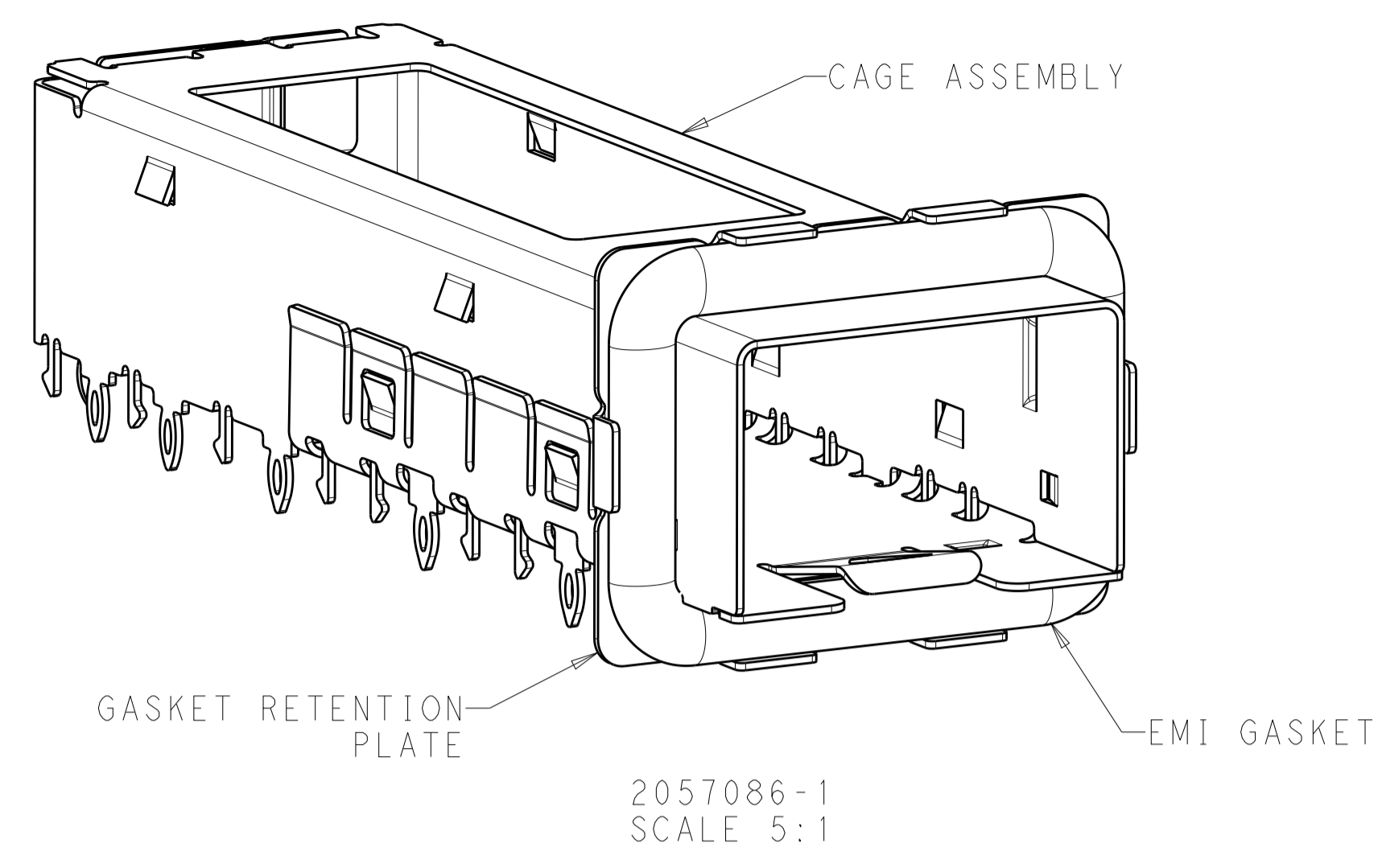
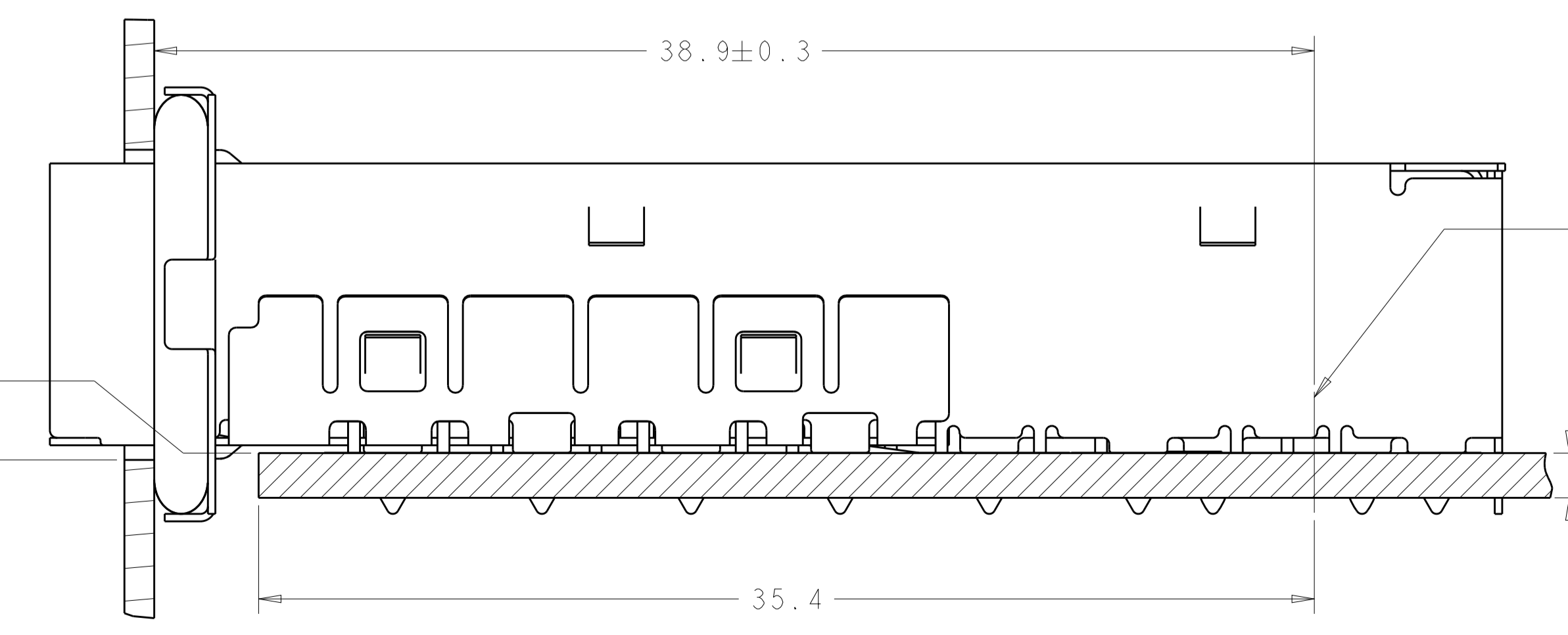
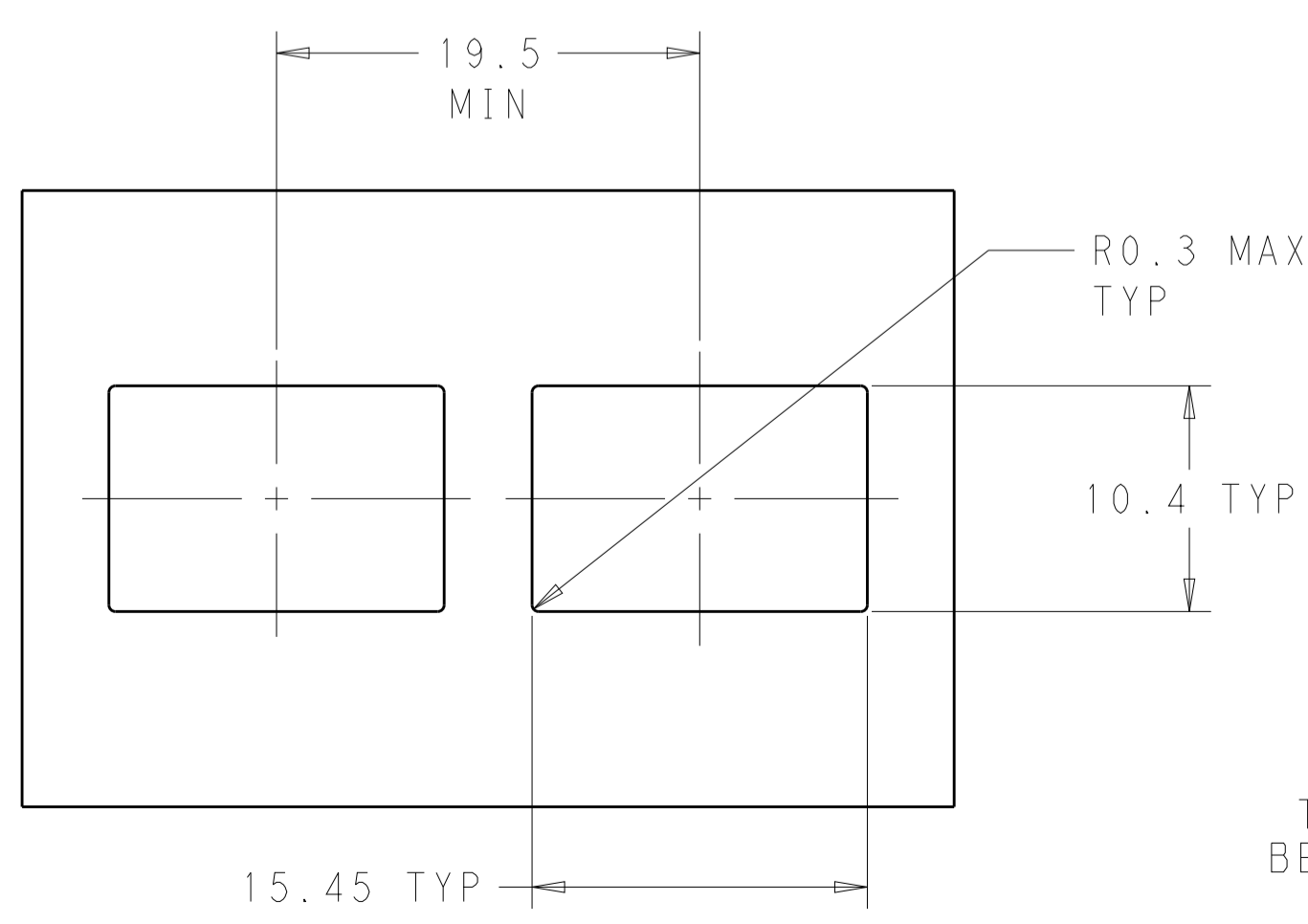
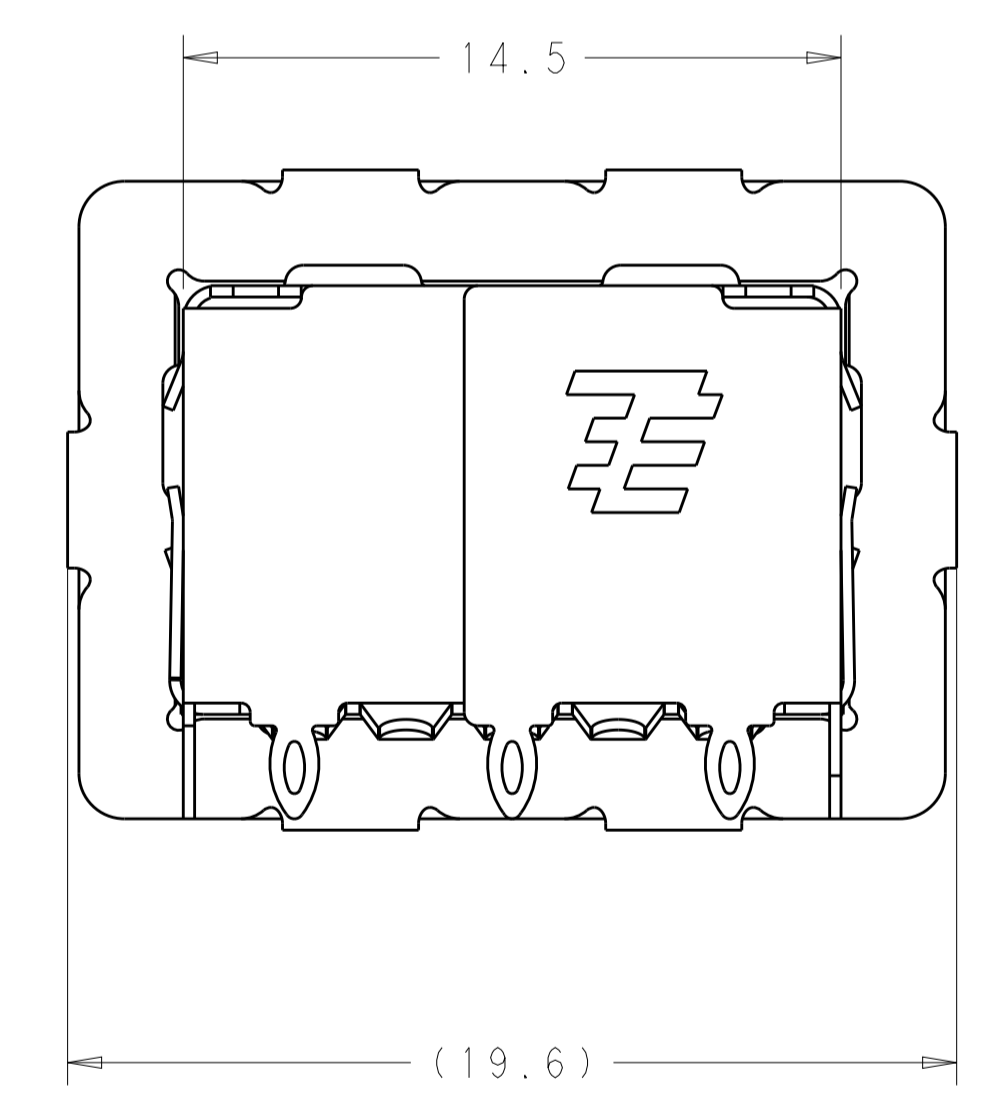
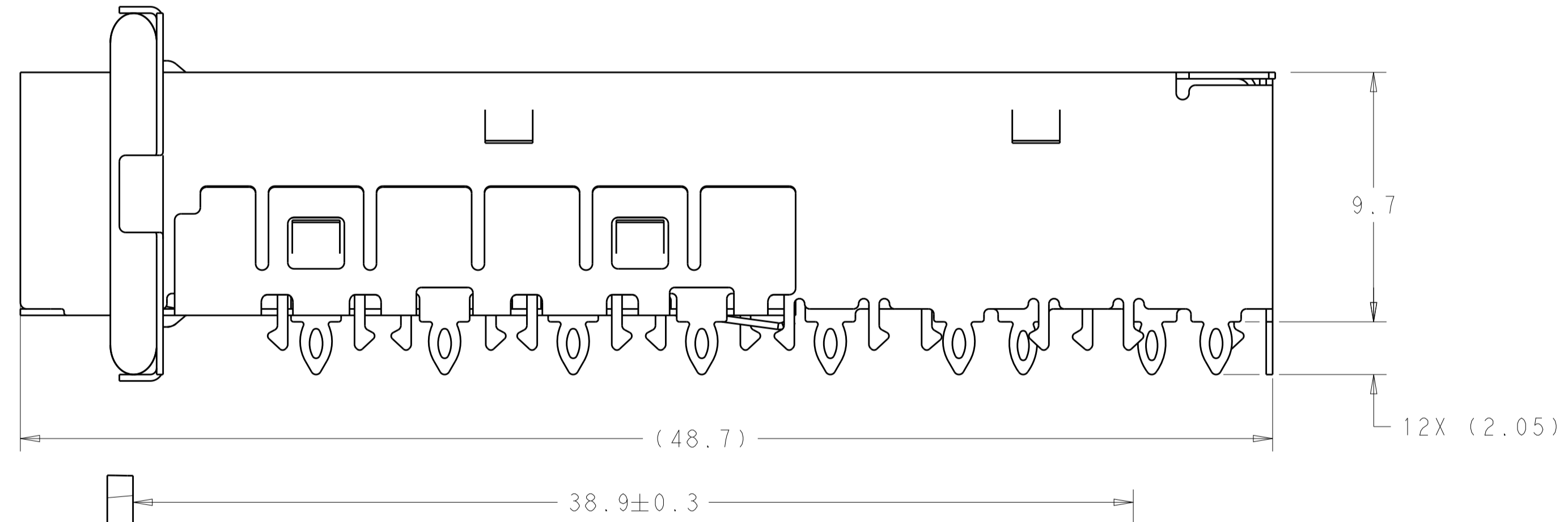
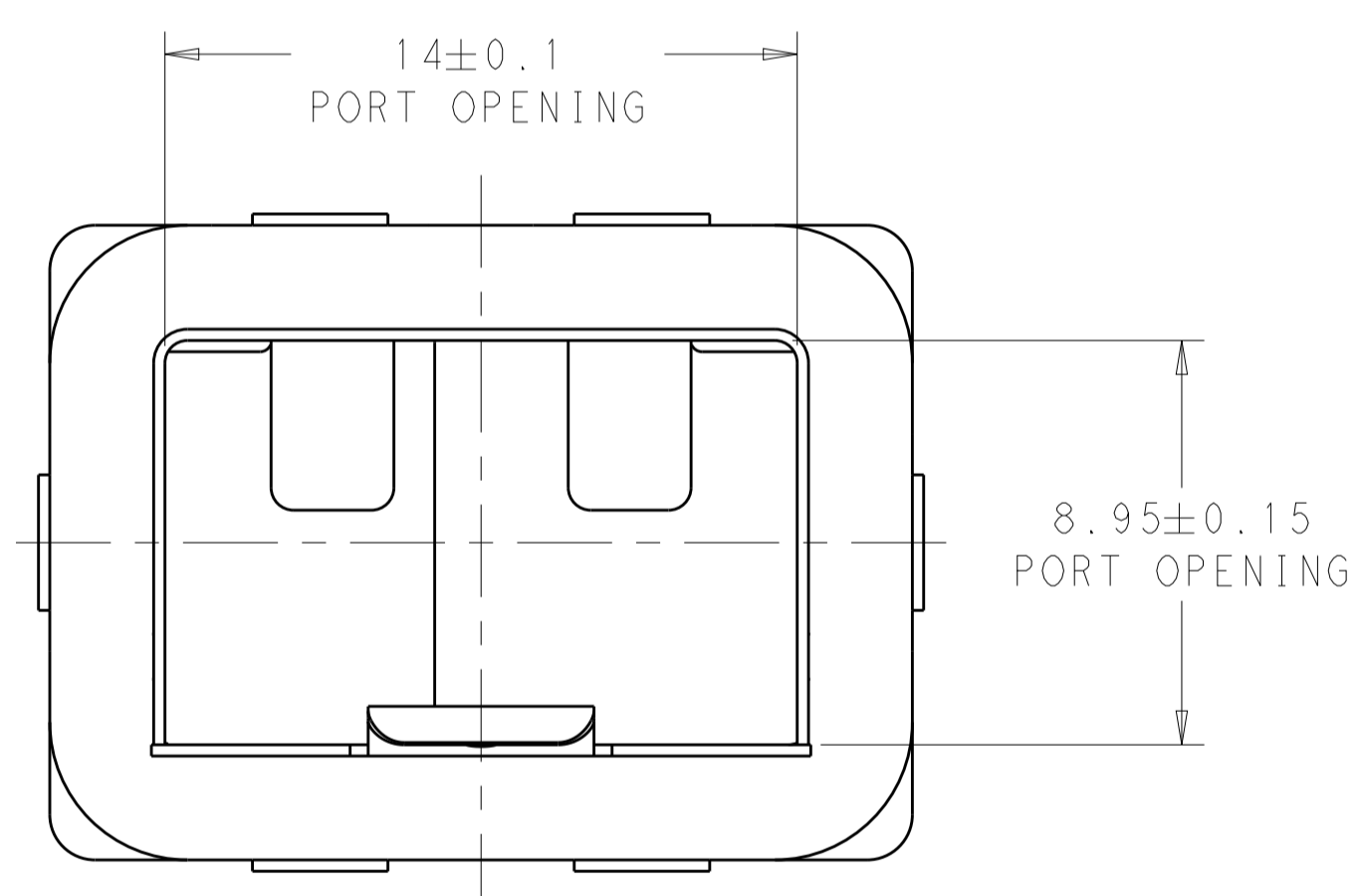


REVISIONS				
P.	LTN	DESCRIPTION	DATE	APP'D
A		RELEASE PER ECO-10-025263	10FEB2011	CJV JTL
B		RELEASE PER ECO-16-009259	17JUN2016	PP SH



- 1 MATERIAL:  
CAGE ASSEMBLY: NICKEL SILVER ALLOY, 0.25mm THK.  
GASKET RETENTION PLATE: STAINLESS STEEL  
EMI GASKET: PLATED FILLED SILICONE
- 2 MINIMUM PC BOARD THICKNESS:  
SINGLE SIDED = 1.45mm
- 3 PADS AND VIAS CHASSIS GROUND.
- 4 DATUM AND BASIC DIMENSION ESTABLISHED BY CUSTOMER.
- 5. MATES WITH SFP MSA COMPLIANT TRANSCEIVERS.
- 6. INTERPRETATION OF DATUM REFERENCE FRAME IN ACCORDANCE WITH SECT 4.4.1.1 OF ASME Y14.5M-1994.
- 7 REFERENCE APPLICATION SPEC. 114-13120, HOLE A, FOR RECOMMENDED DRILL HOLE DIAMETER AND PLATING THICKNESS.
- 8 REFERENCE APPLICATION SPEC. 114-13120, HOLE B, FOR RECOMMENDED DRILL HOLE DIAMETER AND PLATING THICKNESS.



0.23<sup>+0.10</sup><sub>-0.14</sub>  
TOP TO PCB  
TO INSIDE OF  
BEZEL CUT-OUT

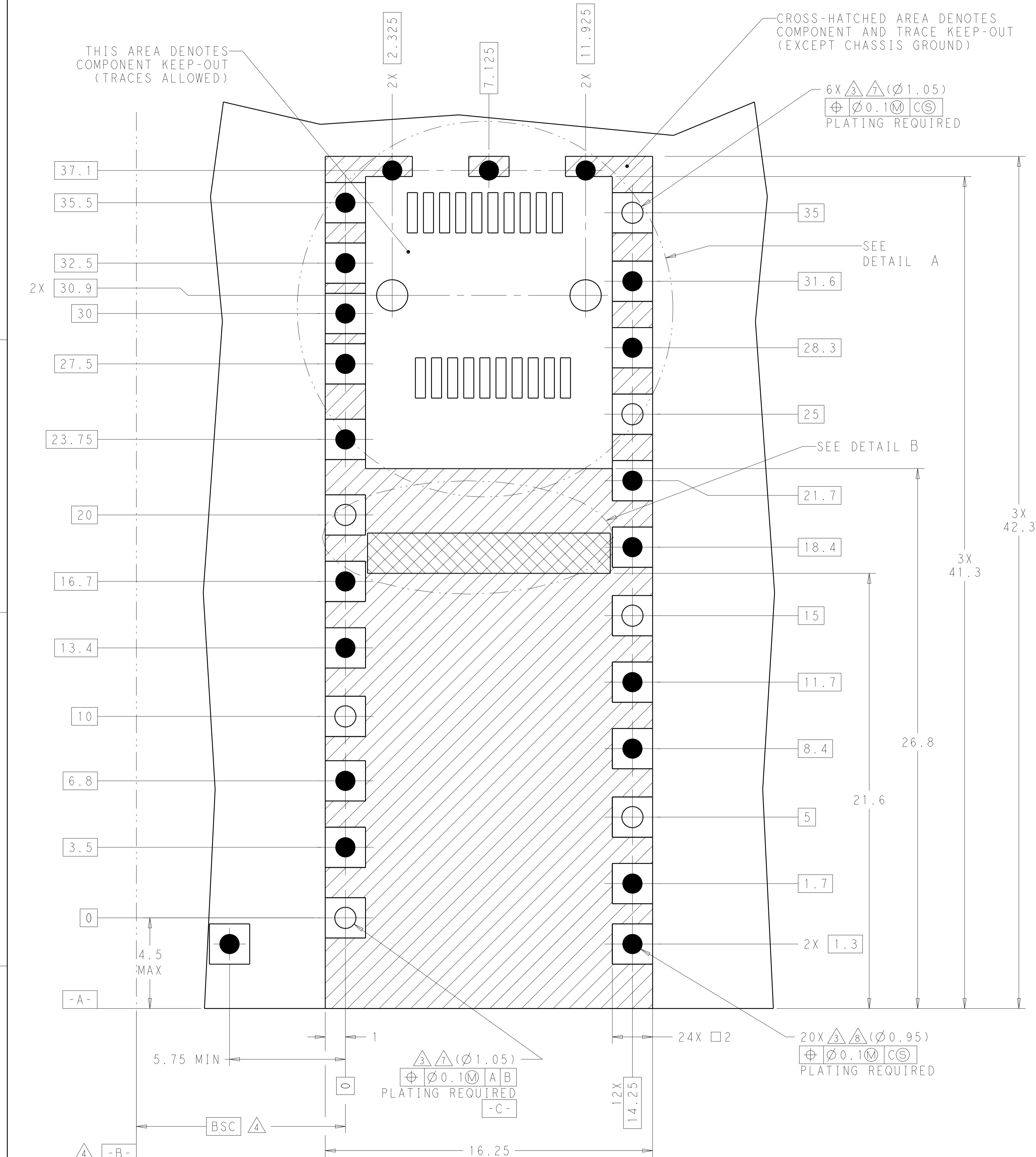
RECOMMENDED BEZEL CUT-OUT  
SCALE 3:1

2057086-1/-6  
MOUNTED ON PCB  
SHOWN THRU RECOMMENDED BEZEL  
SCALE 4:1

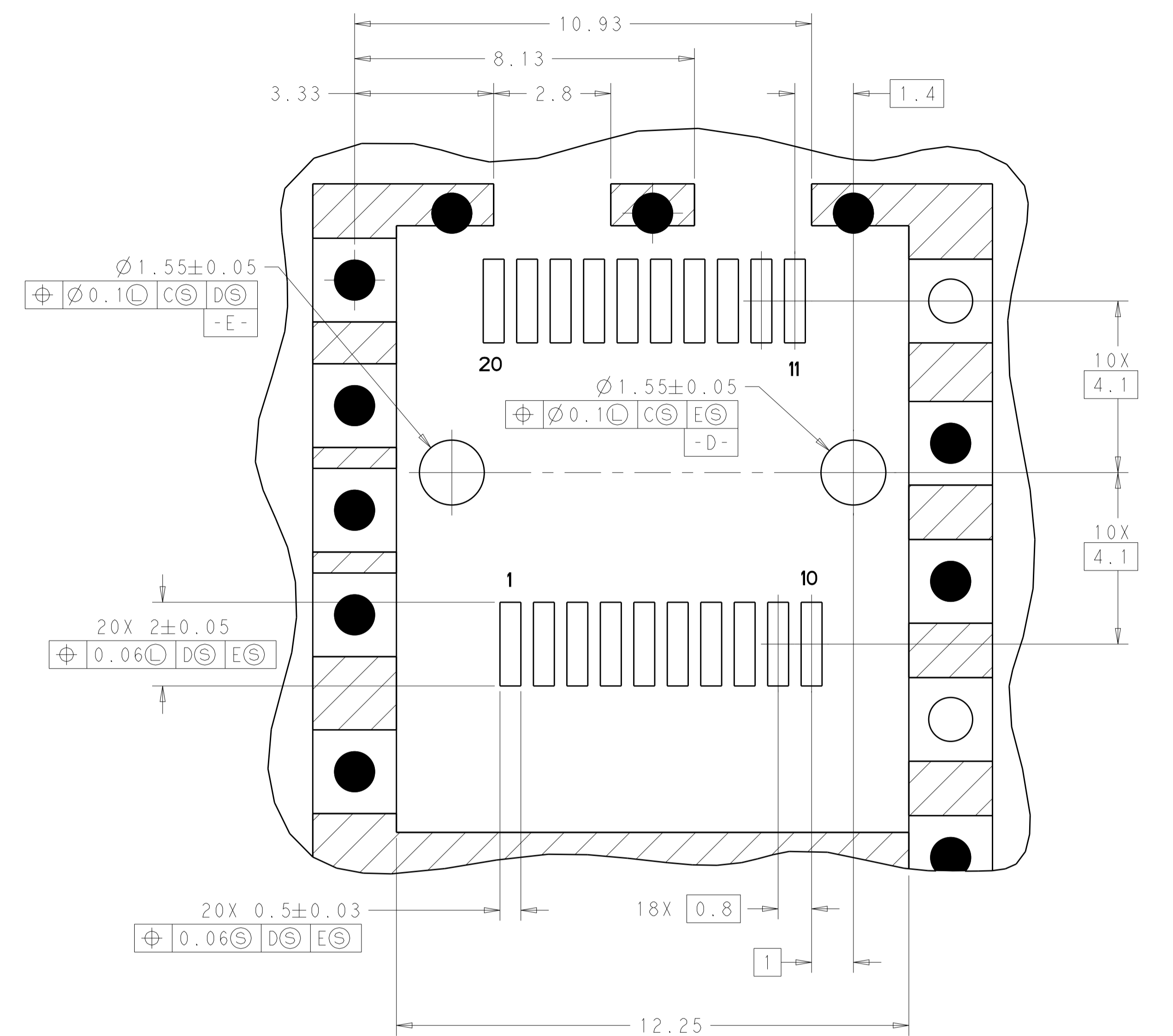
GASKET	DESCRIPTION	PART NUMBER
CUSTOMIZED TYPE	W/ HEATSINK OPENING	2057086-6
GENERAL TYPE	W/O HEATSINK OPENING	2057086-2
GENERAL TYPE	W/ HEATSINK OPENING	2057086-1

THIS DRAWING IS A CONTROLLED DOCUMENT.		OWN: Z. M. BEAM 18MAR2008	TE Connectivity
DIMENSIONS: mm		CHK: M. R. SCHMITT 18MAR2008	
TOLERANCES UNLESS OTHERWISE SPECIFIED:		APP'D: R. H. WERTZ 18MAR2008	
0 PLC ±0.1 1 PLC ±0.1 2 PLC ±0.1 3 PLC ±0.05 4 PLC ±0.05 ANGLES ±0.05		NAME: SFP+ ENHANCED 1X1 CAGE ASSEMBLY, PRESS-FIT. PRODUCT SPEC: 108-2364 APPLICATION SPEC: 114-13120 SIZE: CAGE CODE DRAWING NO: A100779 WEIGHT: - CUSTOMER DRAWING	
MATERIAL: -		RESTRICTED TO: -	SCALE: 6:1 SHEET: 1 OF 2 REV: B

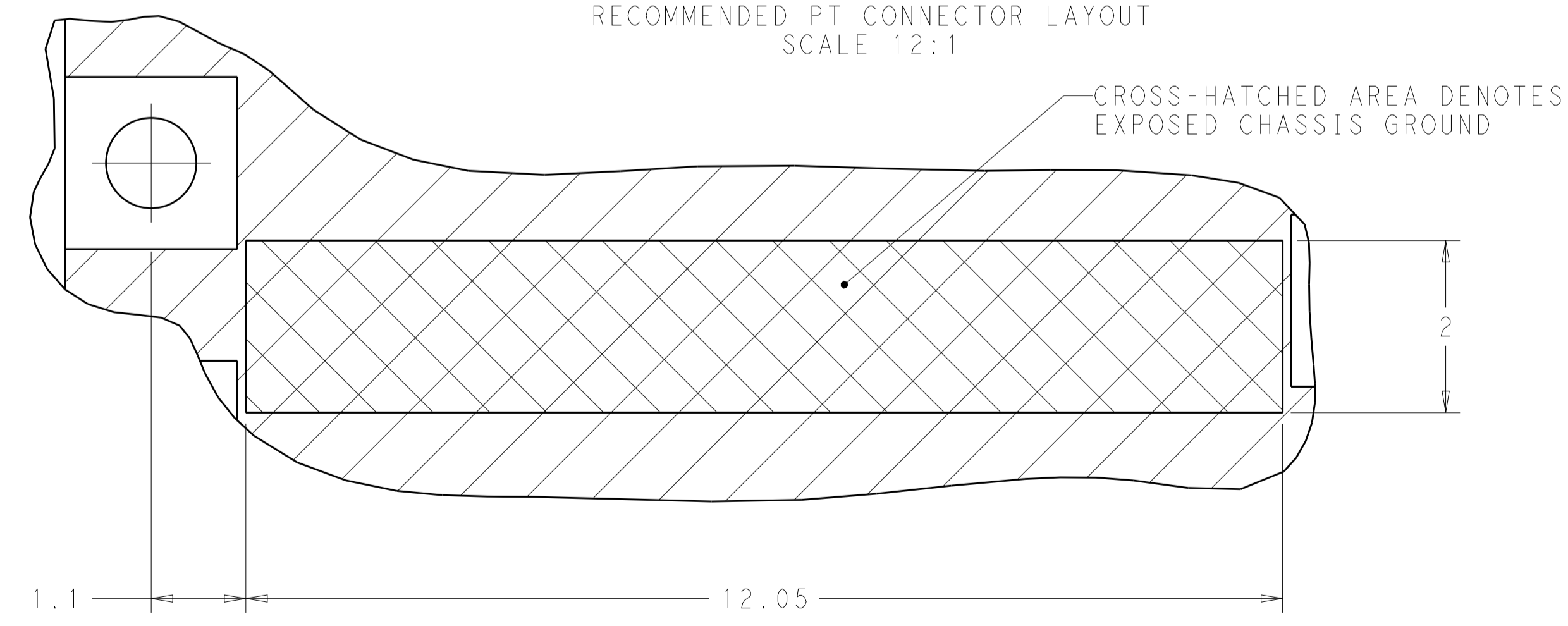
REVISIONS				
P.	LTN.	DESCRIPTION	DATE	APP'D.
-	-	SEE SHEET 1	-	-



RECOMMENDED PC BOARD CONFIGURATION  $\triangle$   
 WITH KEEP-OUT AREAS  
 SCALE 9:1



DETAIL A  
 RECOMMENDED PT CONNECTOR LAYOUT  
 SCALE 12:1



DETAIL B  
 SCALE 18:1

THIS DRAWING IS A CONTROLLED DOCUMENT.		OWN Z. M. REAM 18MAR2008	TE Connectivity
DIMENSIONS: mm		CHK M. R. SCHMITT 18MAR2008	
TOLERANCES UNLESS OTHERWISE SPECIFIED:		APP'D B. H. WERTZ 18MAR2008	NAME SFP+ ENHANCED 1X1 CAGE ASSEMBLY, PRESS-FIT,
0 PLC ±0.1	1 PLC ±0.1	PRODUCT SPEC	108-2364
2 PLC ±0.1	3 PLC ±0.05	APPLICATION SPEC	114-13120
4 PLC ±0.05	ANGLES ±0.05	WEIGHT	A100779C=2057086
MATERIAL	FINISH	CUSTOMER DRAWING	SCALE 6:1 SHEET 2 OF 2 REV B

## X-ON Electronics

Largest Supplier of Electrical and Electronic Components

*Click to view similar products for [I/O Connectors](#) category:*

*Click to view products by [TE Connectivity](#) manufacturer:*

Other Similar products are found below :

[571763P](#) [58098-0628](#) [72.250.1628.2](#) [72.250.2428.2](#) [74720-0505](#) [76.350.0729.0](#) [76871-1403](#) [FCN-244F080-G/1](#) [FCN-260A9920](#) [PCR-E36PM](#) [PCS-XE26MA+](#) [G38A71314B](#) [1571250010](#) [157-22500-3](#) [MS3471L14-19P L/C](#) [172501-4002](#) [172501-6002](#) [FCN-260C008-A/L0](#) [FCN-260C024-AL0](#) [FCN-261Z008](#) [2000314-1](#) [200331-1](#) [PCR-E36FC+](#) [PCS-E28FS+](#) [PCS-XE26SLFD+](#) [PCS-XE26SLFDT+](#) [G730VID08BDC24](#) [U90B2054081210](#) [38113800006](#) [DP3AR020WQ1R200](#) [Z4.102.0680.0](#) [500-1040](#) [500-1052](#) [500-1054](#) [ZP-4008-66L](#) [0709821002](#) [DX40-20P\(55\)](#) [5554841-1](#) [MS3474W18-8P-LC\\*](#) [U90B3054061110](#) [U65-E04-4020](#) [ZPF000000000097891](#) [747360449](#) [10099439-003C-TRLF](#) [10137239-0021LF](#) [E9320-001-01](#) [10137239-0011LF](#) [70289-001LF](#) [70.060.1028.0](#) [109029-ZZ](#)