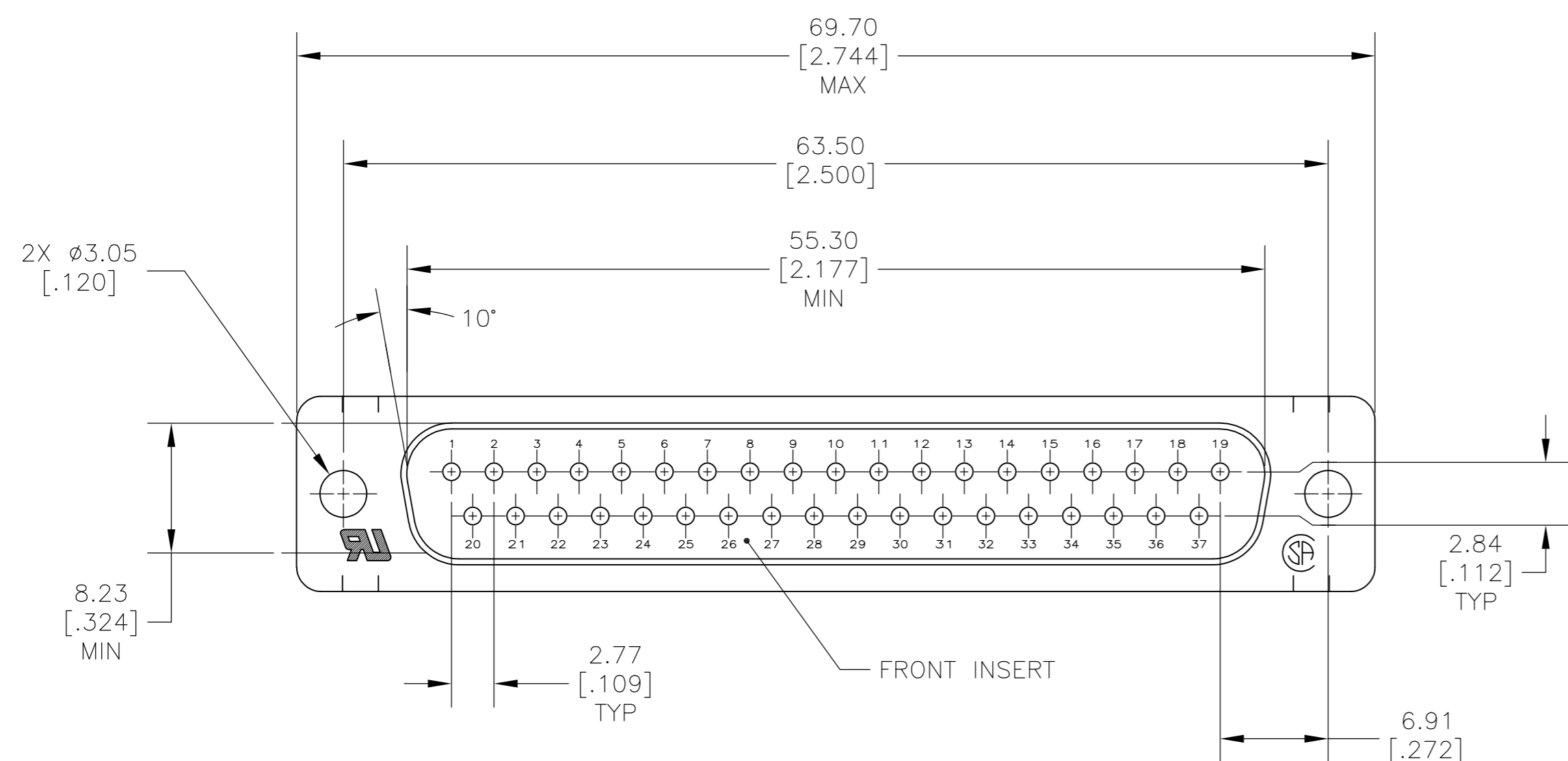


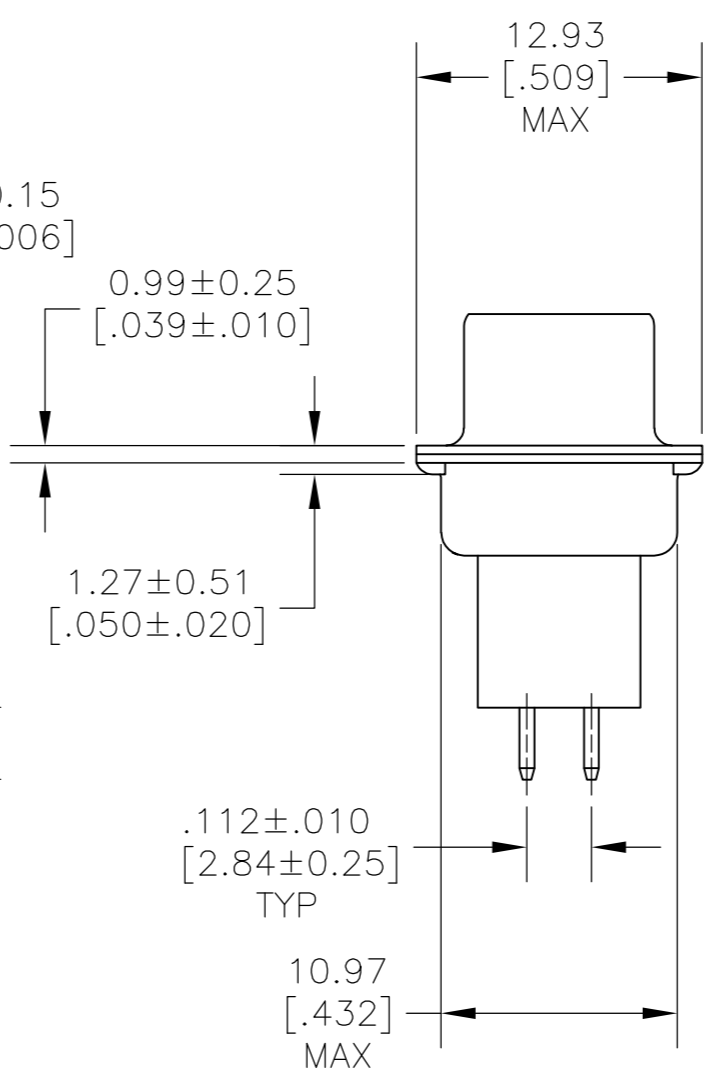
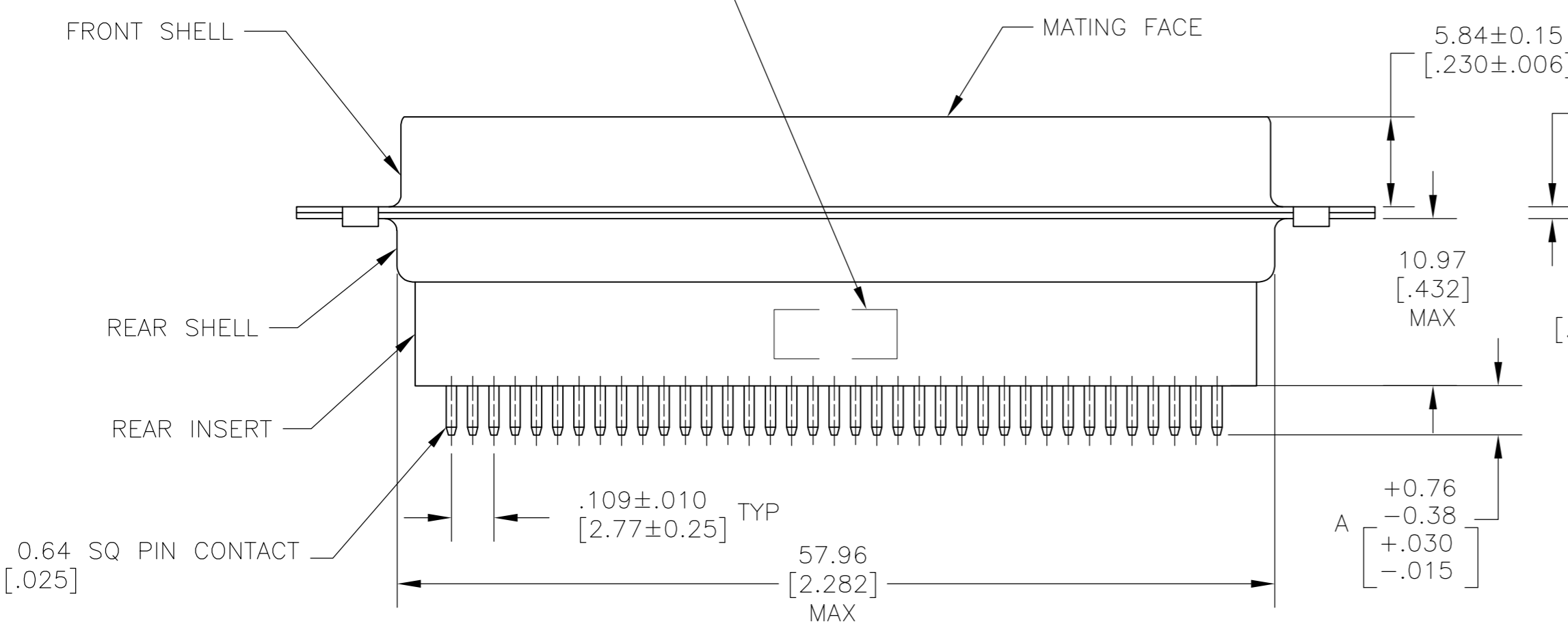
THIS DRAWING IS UNPUBLISHED. RELEASED FOR PUBLICATION  
 © COPYRIGHT 2005 By - ALL RIGHTS RESERVED.

LOC		DIST		REVISIONS			
P	LTR	DESCRIPTION	DATE	DWN	APVD		
GP	00	AB	REVISED PER ECO-14-011808	09AUG2014	AP	SB	

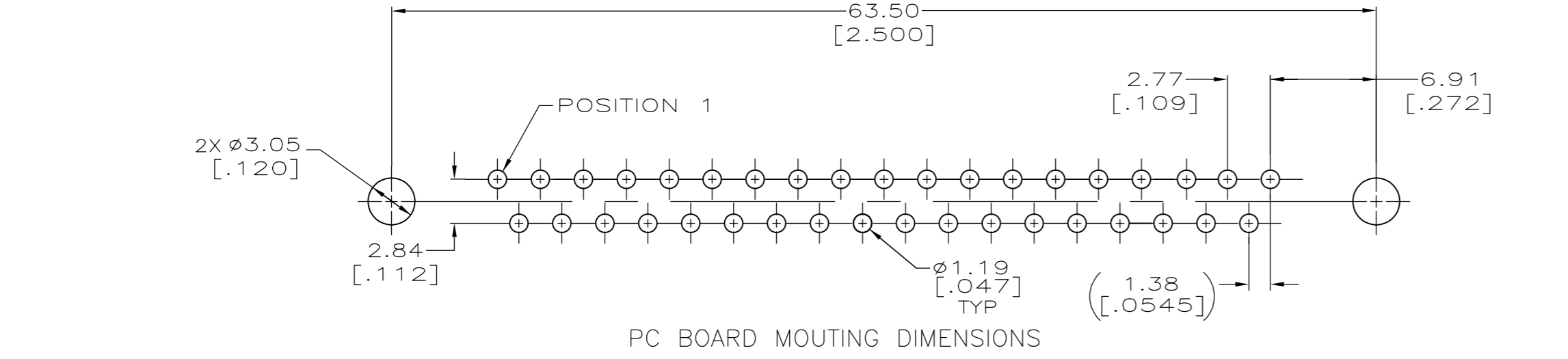


- ⚠ MOLDED PARTS: GLASS-FILLED PBT OR GLASS-FILLED NYLON, UL94V-0 RATED. COLOR: BLACK  
SHELLS: CARBON STEEL. BLACK.  
CONTACTS: BRASS.
- ⚠ SHELLS: 5.08µm [.000200] MIN ZINC WITH YELLOW CHROMATE COATING.  
CONTACTS: GOLD PLATED FOR LENGTH OF 3.81 [.150] MIN FROM MATING END, 0.76µm [.000030] MIN GOLD IN MATED AREA, 2.54µm [.000100] MIN TIN-LEAD ON SOLDER END, BOTH OVER 1.27µm [.000050] MIN NICKEL.  
OR  
GOLD FLASH OVER PALLADIUM NICKEL PLATED FOR LENGTH OF 3.81 [.150] MIN FROM MATING END, 0.76µm [.000030] MIN TOTAL IN MATED AREA, 2.54µm [.000100] MIN TIN-LEAD ON SOLDER END, BOTH OVER 1.27µm [.000050] MIN NICKEL.
- 3. NOTE DELETED.
- 4. NOTE DELETED.
- 5. NOTE DELETED.
- ⚠ NOTE DELETED.
- ⚠ GOLD PLATED FOR LENGTH OF 3.81 [.150] MIN FROM MATING END, GOLD FLASH IN MATED AREA. 2.54µm [.000100] MIN TIN-LEAD ON SOLDER END, ALL OVER 1.27µm [.000050] MIN NICKEL.

AMP, PART NO & DATE CODE MARKED IN AREA INDICATED, ON FAR SIDE



SUPSD BY 205714-7	-	-	205714-8
	⚠	4.78 [.188]	205714-7
OBSOLETE	⚠	16.54 [.651]	205714-6
OBSOLETE	-	-	205714-5
SUPSD BY 205714-7	⚠	10.85 [.427]	205714-4
SUPSD BY 205714-7	⚠	10.85 [.427]	205714-3
SUPSD BY 205714-7	⚠	3.18 [.125]	205714-2
SUPSD BY 205714-7	⚠	3.18 [.125]	205714-1
	CONTACT FINISH	A	PART NUMBER



THIS DRAWING IS A CONTROLLED DOCUMENT.

DIMENSIONS: mm [INCHES]	TOLERANCES UNLESS OTHERWISE SPECIFIED:	DWN J. POLIGNONE 01FEB07	 TE Connectivity PLUG ASSY, SIZE 4, 37 POS, VERTICAL, AMPLIMITE HDP
	0 PLC ± -	CHK E. BRIANT 01FEB07	
	1 PLC ± -	APVD E. BRIANT 01FEB07	
	2 PLC ± 0.13 [.005]	NAME	
	3 PLC ± -	PRODUCT SPEC 108-40025	
MATERIAL	FINISH	4 PLC ± -	APPLICATION SPEC 114-40013
		4 PLC ANGLES ± -	SIZE CAGE CODE DRAWING NO RESTRICTED TO
		FINISH	WEIGHT A2 00779 C=205714
			CUSTOMER DRAWING SCALE NTS SHEET 1 of 1 REV AB

## X-ON Electronics

Largest Supplier of Electrical and Electronic Components

*Click to view similar products for [D-Sub Standard Connectors](#) category:*

*Click to view products by [TE Connectivity](#) manufacturer:*

Other Similar products are found below :

[56F711-015](#) [012-9507-004](#) [LV242999-142T12](#) [015-0341-000](#) [015-0349-000](#) [015-0372-005](#) [015-0372-008](#) [015-8755-001](#) [020419-0104](#) [012-0467-000](#) [012-0515-000](#) [012-9507-034](#) [012-9507-114](#) [020745-0008](#) [609-25P](#) [CT2-14S-2PCA34](#) [CT2-18-11PCAU](#) [CT2-36-15SC](#) [CT6-14S-2SC](#) [CT6E14SA7SC](#) [CT6E22-14PC](#) [CT6E22-14PS](#) [CT6E22-22PS](#) [M83513/01-FC](#) [M85049/48-3-2F](#) [6STD09PCM99B70X](#) [6STD09SCM99B30X](#) [6STD09SCT99S40X](#) [6STD15PCT99S40X](#) [6STD15SCM99B30X](#) [6STD15SCT99S40X](#) [6STF09PCM05B70X](#) [7-135760-9](#) [MC11E-10-6SN](#) [747552-3](#) [MD1-21PS](#) [MDM-15SCBRM7-F222](#) [MDM96517-699](#) [MDM96521-744](#) [MDVB1-21SL1](#) [MIK0-1-7SH003](#) [MIKQ6-7SH076](#) [MIKQ7-7PH077](#) [MIKQ7-7PH11](#) [MIKQ7-7PH32](#) [MIKQ9-7PH003](#) [MJSV-28SL61](#) [MKJ4A1F14-55S](#) [8-135760-3](#) [8STD09PCM99B30X](#)