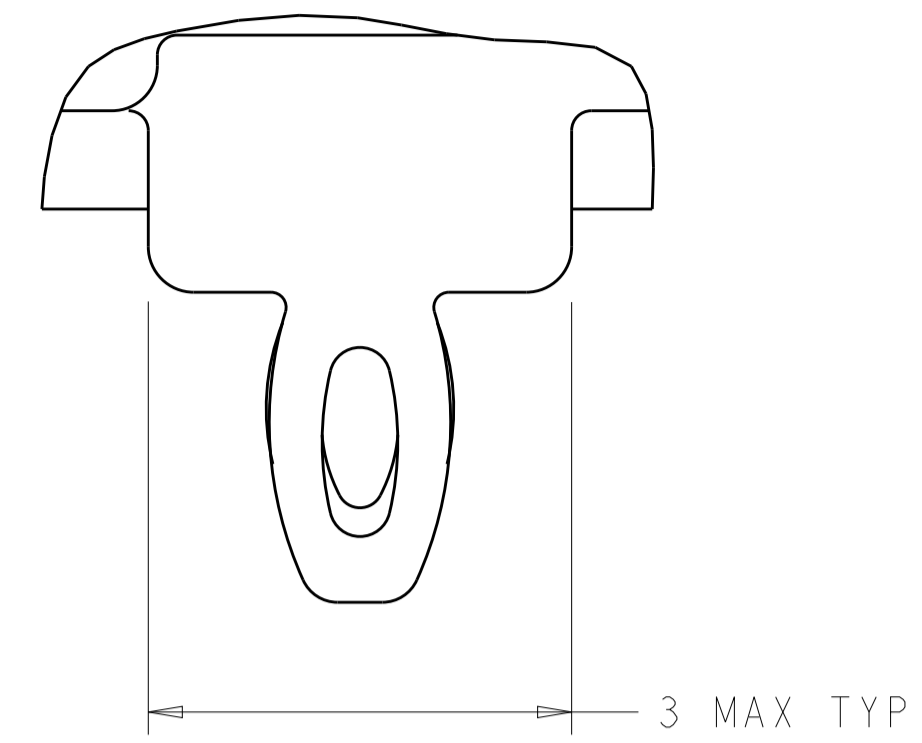


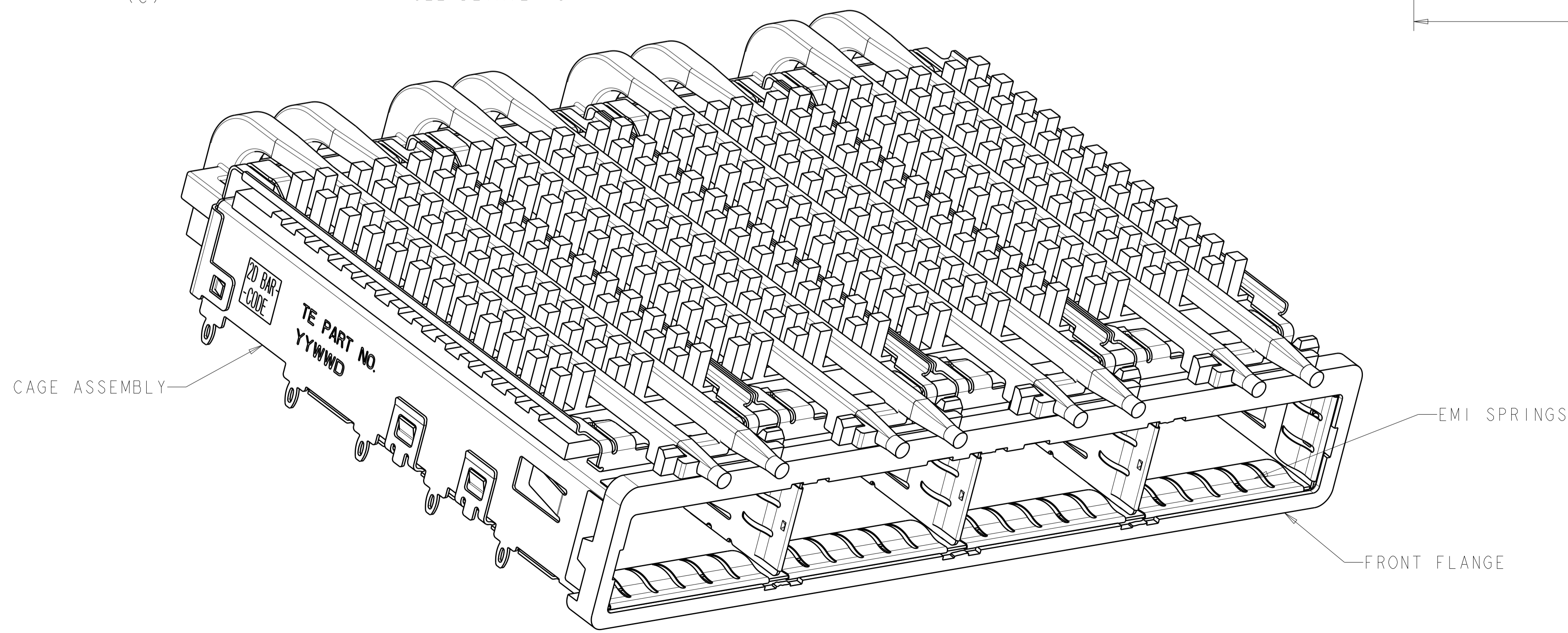
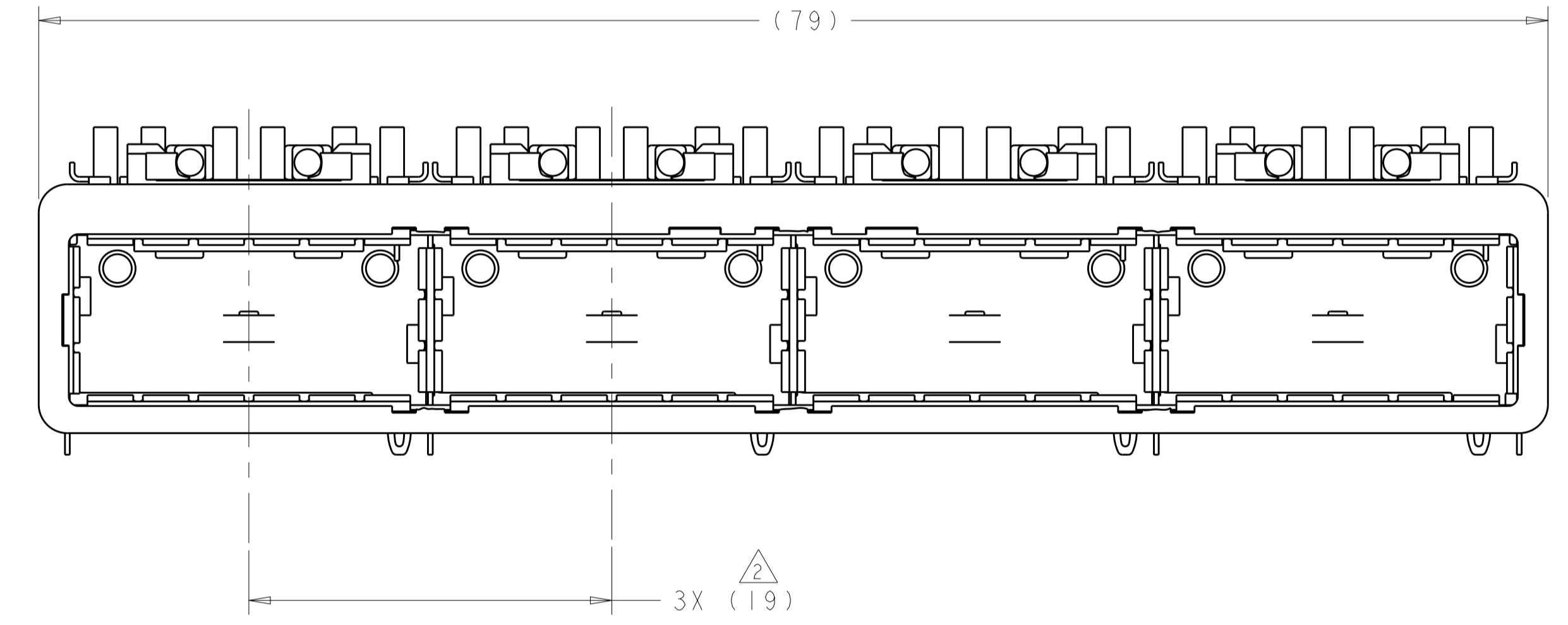
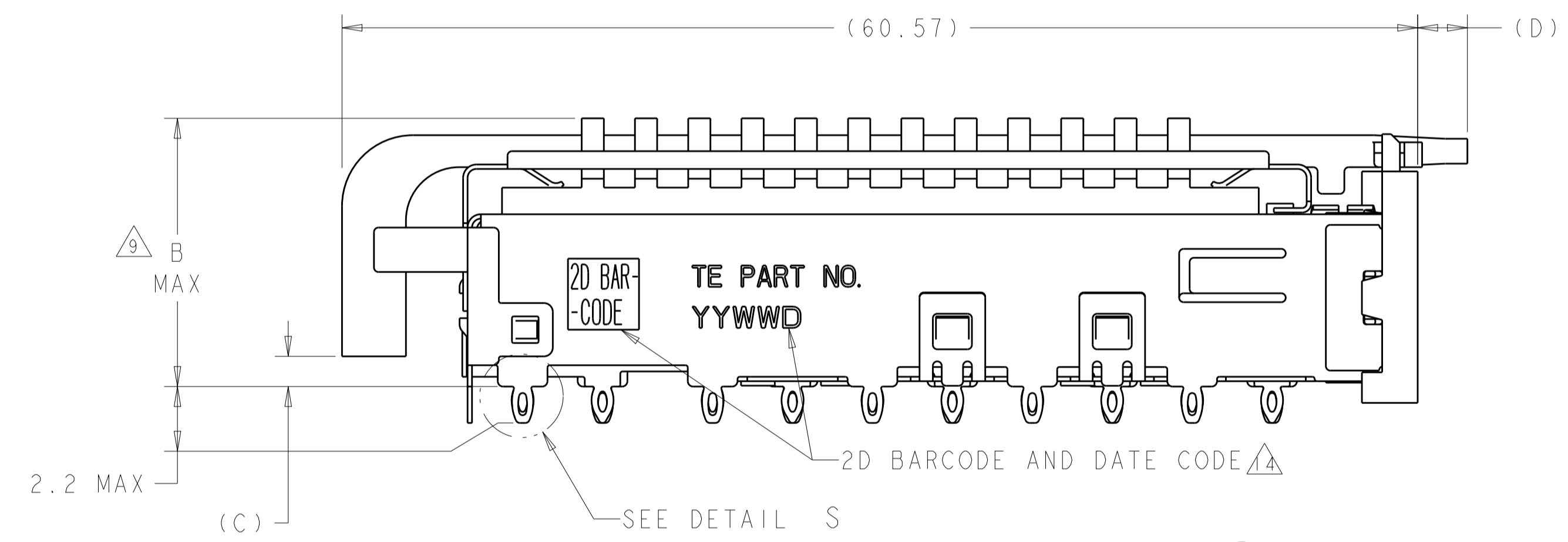
| LOC | DIST | REVISIONS                 |           |     |      |
|-----|------|---------------------------|-----------|-----|------|
| P   | LTN  | DESCRIPTION               | DATE      | DMN | APVD |
| C   |      | REVISED PER ECO-10-018054 | 04NOV2010 | CJV | EJB  |
| D   |      | REVISED PER ECO-12-003481 | 15MAR2012 | KS  | AC   |
| E   |      | REVISED PER ECO-12-005533 | 31MAR2012 | JY  | AC   |
| F   |      | REVISED PER ECO-14-017735 | 30EC2014  | RG  | MC   |



DETAIL S  
SCALE 20:1

- 1 CAGE ASSEMBLY MATERIAL: NICKEL SILVER, 0.25 THICK  
HEAT SINK MATERIAL: ALUMINUM  
HEAT SINK CLIP MATERIAL: STAINLESS STEEL  
EMI SPRING MATERIAL: COPPER ALLOY  
FRONT FLANGE MATERIAL: ZINC ALLOY  
LIGHT PIPE MATERIAL: CLEAR POLYCARBONATE
- 2 PITCH BETWEEN PORTS OF ONE 1X4 CAGE ASSEMBLY.
- 3 SPACING BETWEEN CAGES ON THE SAME PC BOARD, TO BE SPECIFIED BY CUSTOMER, MUST COMPLY WITH MINIMUM DIMENSIONS SHOWN.
- 4 REFERENCE APPLICATION SPEC 114-13218 FOR RECOMMENDED DRILL HOLE DIAMETER AND PLATING THICKNESS.
- 5 DATUMS AND BASIC DIMENSIONS ESTABLISHED BY CUSTOMER.
- 6 DIMENSION F IS THE NOMINAL THICKNESS OF CUSTOMER SUPPLIED PC BOARD,  
SINGLE SIDED PC BOARD MINIMUM THICKNESS = 1.45mm  
DOUBLE SIDED PC BOARD MINIMUM THICKNESS = 2.2mm PER QSFP.
- 7 HEAT SINKS, LIGHT PIPES, AND HEAT SINK CLIPS SHIPPED ASSEMBLED TO CAGE ASSEMBLY. CAGE ASSEMBLY MAY BE PRESSED INTO THE PCB AS SHIPPED.
- 8 DATUM -A- IS TOP SURFACE OF PC BOARD.
- 9 DIMENSION APPLIES WITH MODULE INSERTED IN CAGE.
- 10 UNPLATED THRU HOLE.
- 11 MATES WITH QSFP MSA COMPATIBLE TRANSCEIVER.
- 12 SURFACE TRACES PERMITTED WITHIN THIS AREA EXCEPT WHERE CAGE STANDOFFS, SHOWN IN DETAIL S, CONTACT PC BOARD.
- 13 BASELINE FOR THESE DIMENSIONS IS THE CENTER OF COMPLIANT PIN HOLE.
- 14 2D BARCODE AND DATE CODE (YYWW) MARKED ON SIDE OF CAGE ASSEMBLY.

- 15 REFERENCE APP SPEC 114-13218 FOR GASKET THICKNESS CALCULATION.
- 16 EMI SPRING FINISH: 2µm MINIMUM TIN  
FRONT FLANGE FINISH: 3µm MINIMUM TIN OVER 1.27µm MINIMUM NICKEL  
OVER 5.08µm MINIMUM COPPER.  
HEAT SINK FINISH: NICKEL
- 17 HEAT SINKS AND CLIPS SHIPPED ASSEMBLED TO CAGE ASSEMBLY. CAGE ASSEMBLY MAY BE PRESSED INTO THE PCB AS SHIPPED. LIGHT PIPES, SHIPPED UNATTACHED, MUST BE ASSEMBLED BY CUSTOMER AFTER THE CASE IS SEATED IN THE PCB.



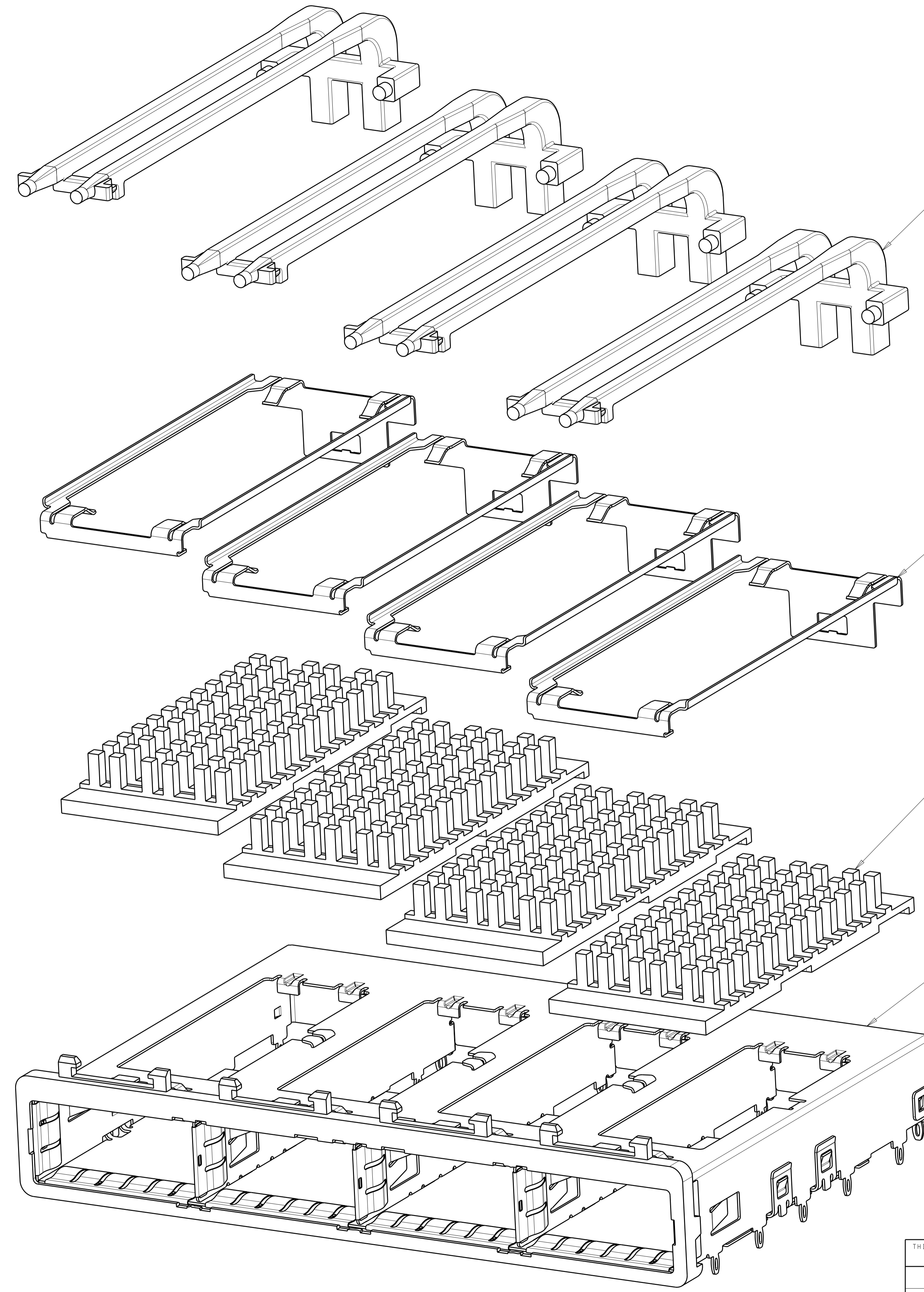
|    | E       | D   | C    | B    | HEAT SINK PROFILE | PART NUMBER |
|----|---------|-----|------|------|-------------------|-------------|
| 7  | 1.3-1.4 | 5.7 | 2.15 | 16.0 | SAN               | 2057183-5   |
| 11 | 1.3-1.4 | 5.7 | 2.15 | 13.7 | PCI               | 2057183-4   |
| 7  | 0.8-1.1 | 2.8 | 1.70 | 23.0 | NETWORKING        | 2057183-3   |
| 7  | 0.8-1.1 | 2.8 | 1.70 | 16.0 | SAN               | 2057183-2   |
| 11 | 0.8-1.1 | 2.8 | 1.70 | 13.7 | PCI               | 2057183-1   |

THIS DRAWING IS A CONTROLLED DOCUMENT.

|             |  |                             |  |
|-------------|--|-----------------------------|--|
| DIMENSIONS: | TOLERANCES UNLESS OTHERWISE SPECIFIED: | DMN: C. VALENTINE 01MAY2008 | TE Connectivity<br>NAME: 1X4 CAGE ASSEMBLY, BEHIND BEZEL, W/ LIGHT PIPES AND HEAT SINKS, QSFP<br>SIZE: CAGE CODE DRAWING NO<br>RESTRICTED TO |
| mm          | 0 PLC ±0.1                             | CHK: E. BRIGHT 01MAY2008    |  |
|             | 1 PLC ±0.1                             | APVD: F. BRIGHT 01MAY2008   |  |
|             | 3 PLC ±0.1                             | PRODUCT SPEC: 108-2286      |  |
|             | 4 PLC ±0.1                             | APPLICATION SPEC: 114-13218 | SCALE: 4:1   |
| MATERIAL:   | FINISH:                                | WEIGHT:                     | SHEET 1 OF 5   |
|             |  |                             | REV F  |

CUSTOMER DRAWING

| LOC | DIST | REVISIONS |     |             |      |     |      |
|-----|------|-----------|-----|-------------|------|-----|------|
| GP  | 00   | P         | LYR | DESCRIPTION | DATE | DWN | APVD |
| -   | -    | -         | -   | SEE SHEET 1 | -    | -   | -    |
|     |      |           |     |             |      |     |      |
|     |      |           |     |             |      |     |      |



DOUBLE LIGHT PIPES  $\nabla/\nabla$   
 QUANTITY: 4

HEAT SINK CLIPS  $\nabla/\nabla$   
 QUANTITY: 4

72 PIN HEAT SINKS  $\nabla/\nabla$   
 QUANTITY: 4

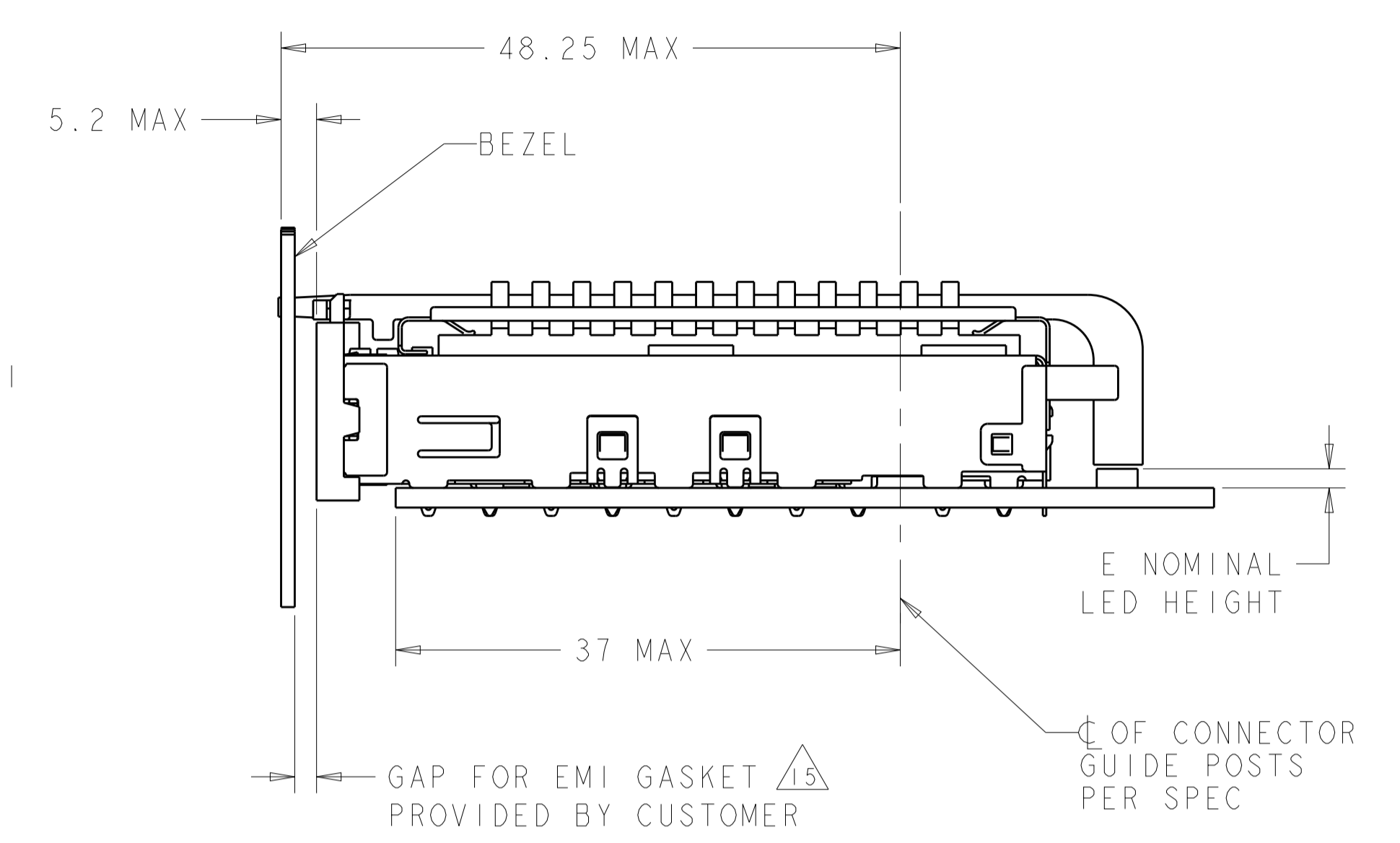
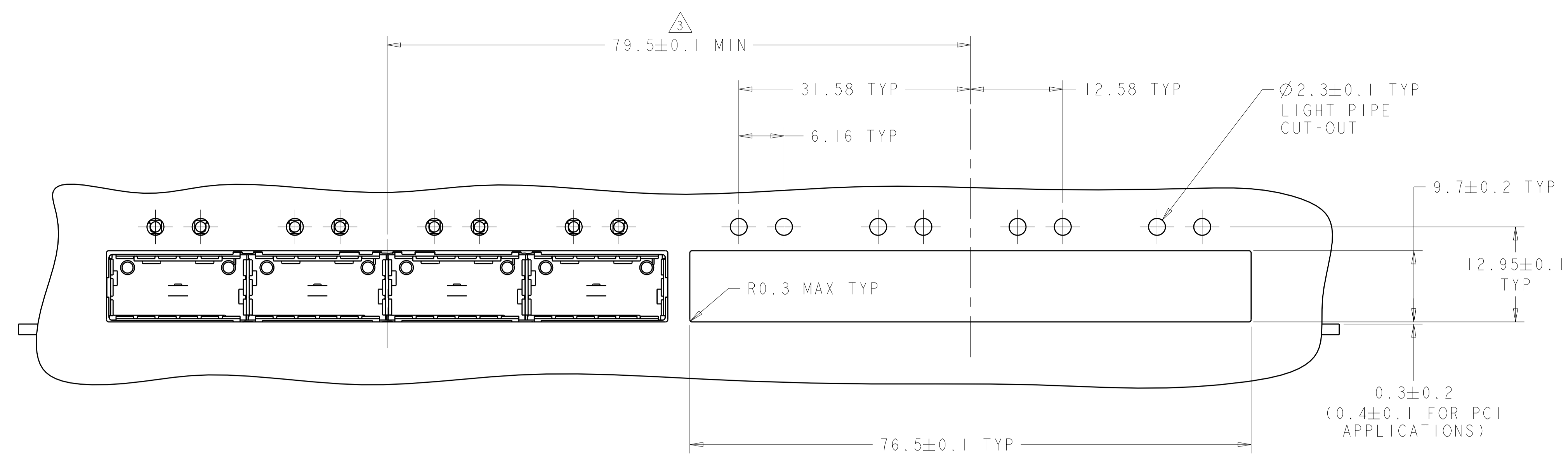
1X4 BEHIND BEZEL QSFP  
 CAGE ASSEMBLY  
 QUANTITY: 1

|  |  |                                  |  |
|--|--|----------------------------------|--|
| THIS DRAWING IS A CONTROLLED DOCUMENT. |  | DWN<br>C. VALENTINE<br>01MAY2008 | TE Connectivity  |
| DIMENSIONS:<br>mm                      |  | CHK<br>E. BRIGHT<br>01MAY2008    |  |
|  |  | APVD<br>E. BRIGHT<br>01MAY2008   | NAME<br>1X4 CAGE ASSEMBLY, BEHIND BEZEL,<br>W/ LIGHT PIPES AND HEAT SINKS,<br>QSFP |
| TOLERANCES UNLESS OTHERWISE SPECIFIED: |  | PRODUCT SPEC                     | RESTRICTED TO  |
| 0 PLC ±                                |  | 108-2286                         | SIZE CAGE CODE DRAWING NO  |
| 1 PLC ±0.1                             |  | APPLICATION SPEC                 | A100779C=2057183   |
| 2 PLC ±0.1                             |  | 114-13218                        | SCALE 4:1 SHEET 2 OF 5 REV F   |
| 3 PLC ±                                |  | WEIGHT                           |  |
| 4 PLC ±                                |  | CUSTOMER DRAWING                 |  |
| ANGLES ±                               |  |                                  |  |
| FINISH                                 |  |                                  |  |

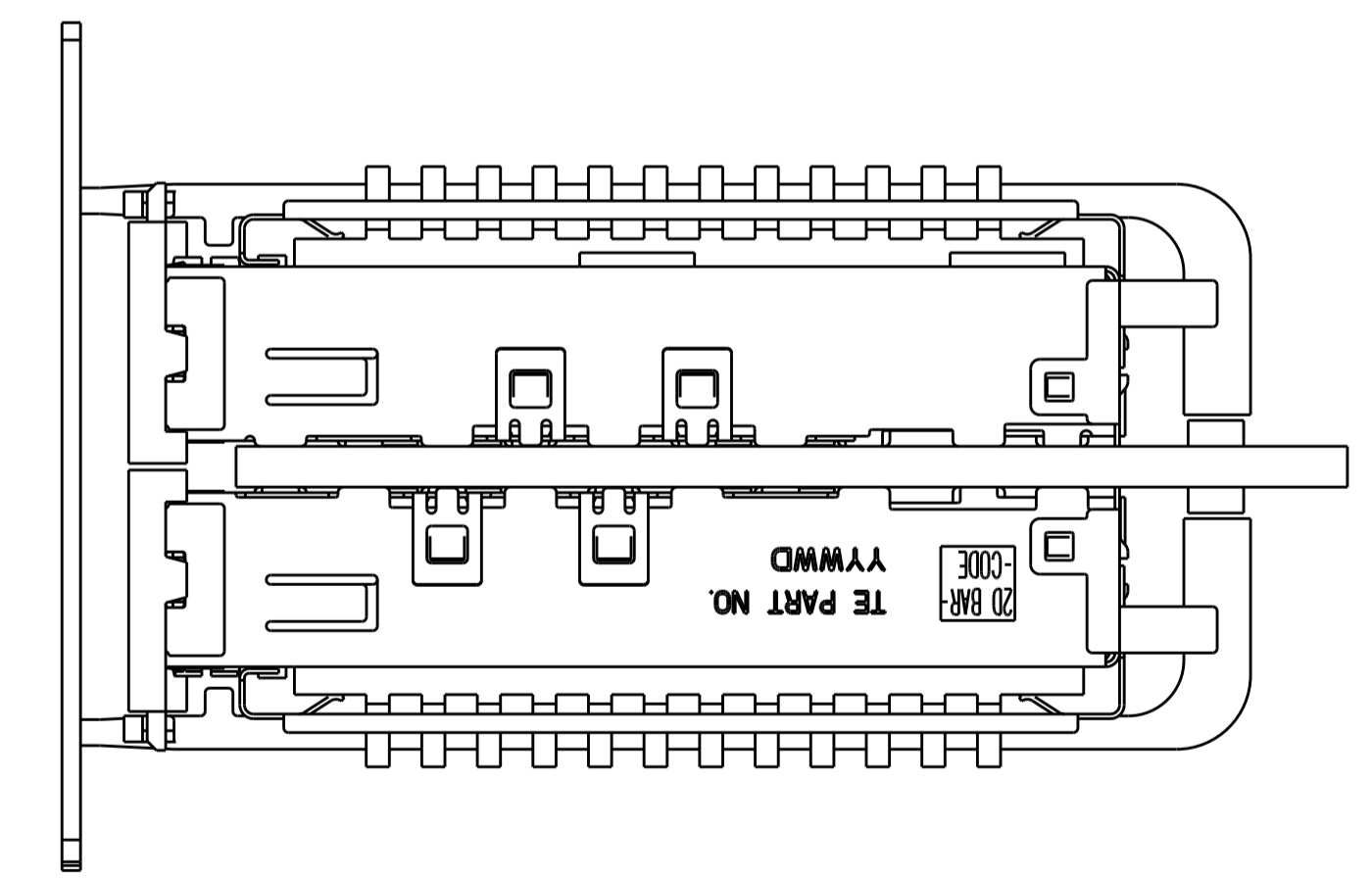
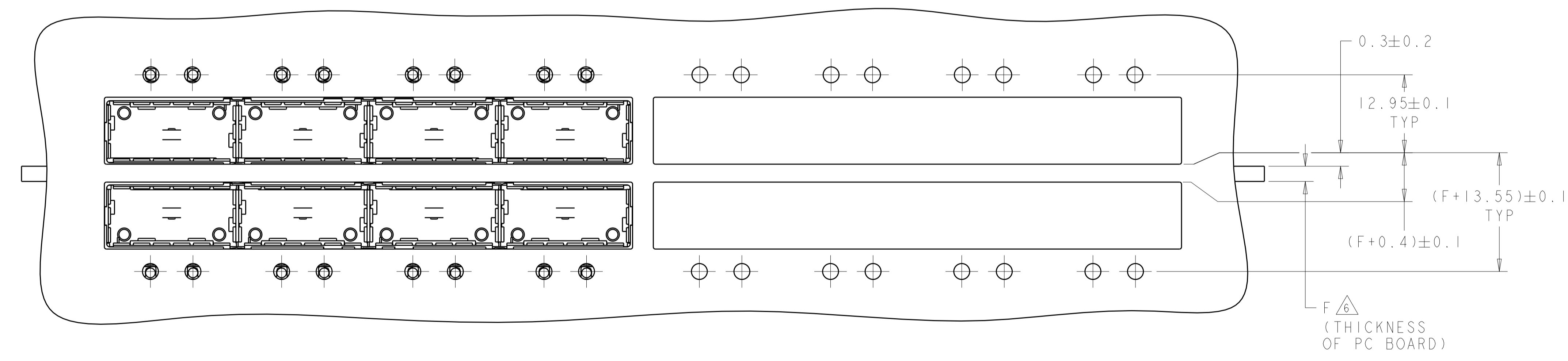
| LOC | DIST | REV | DATE | BY | APPD |
|-----|------|-----|------|----|------|
| GP  | 00   |     |      |    |      |

| REVISIONS |             |      |    |
|-----------|-------------|------|----|
| NO.       | DESCRIPTION | DATE | BY |
| -         | SEE SHEET 1 | -    | -  |



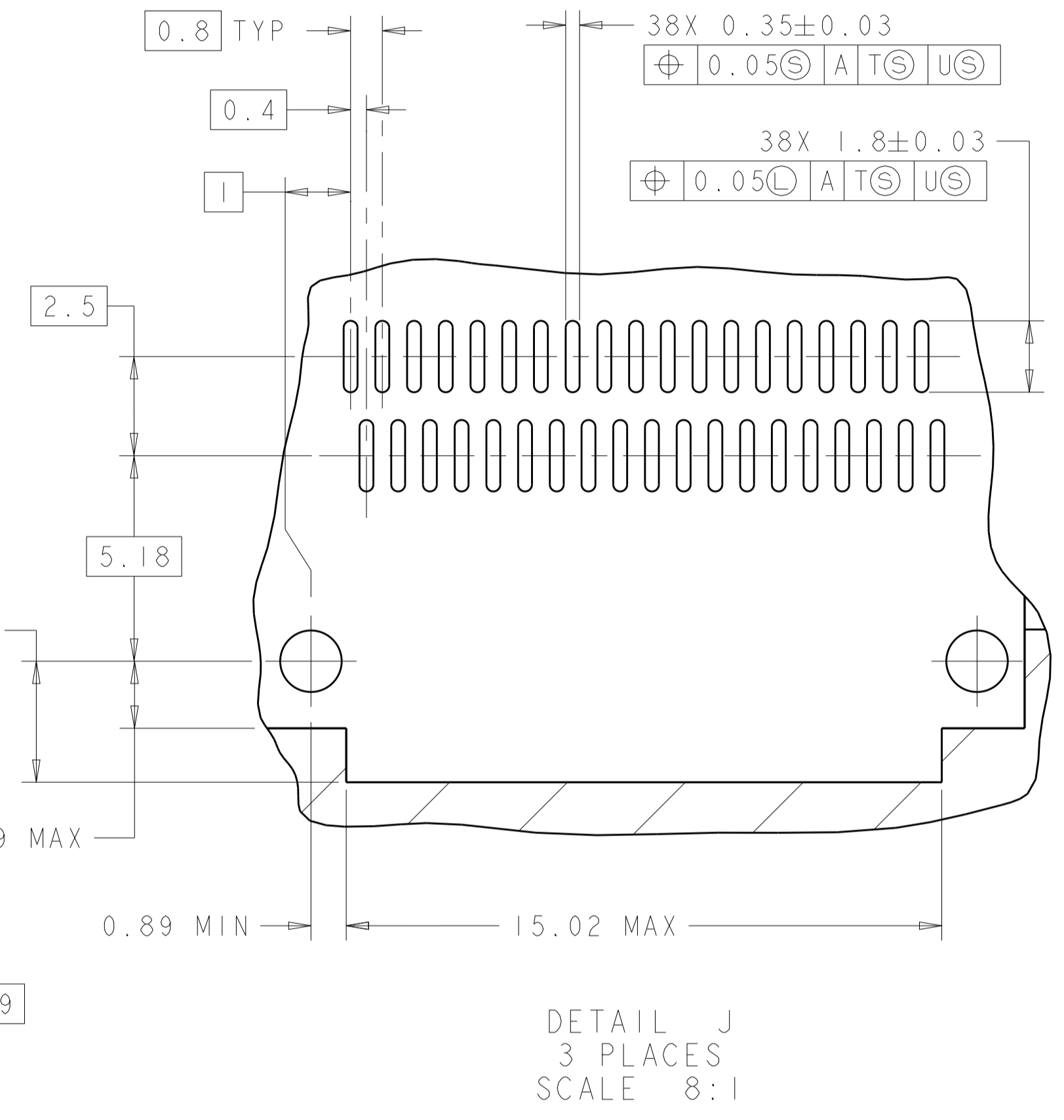
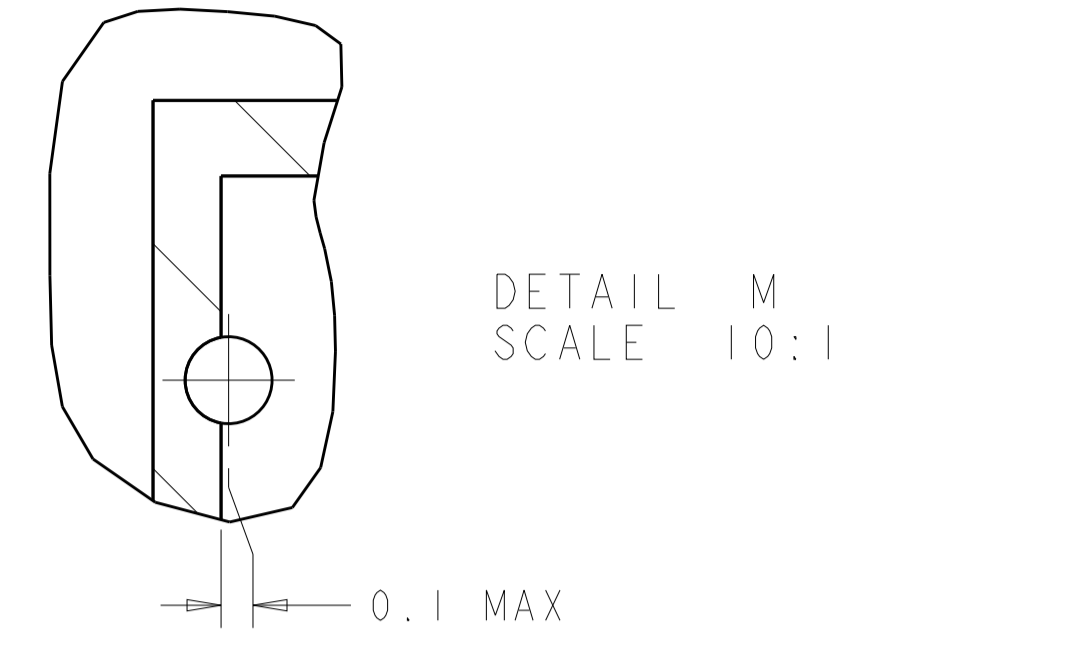
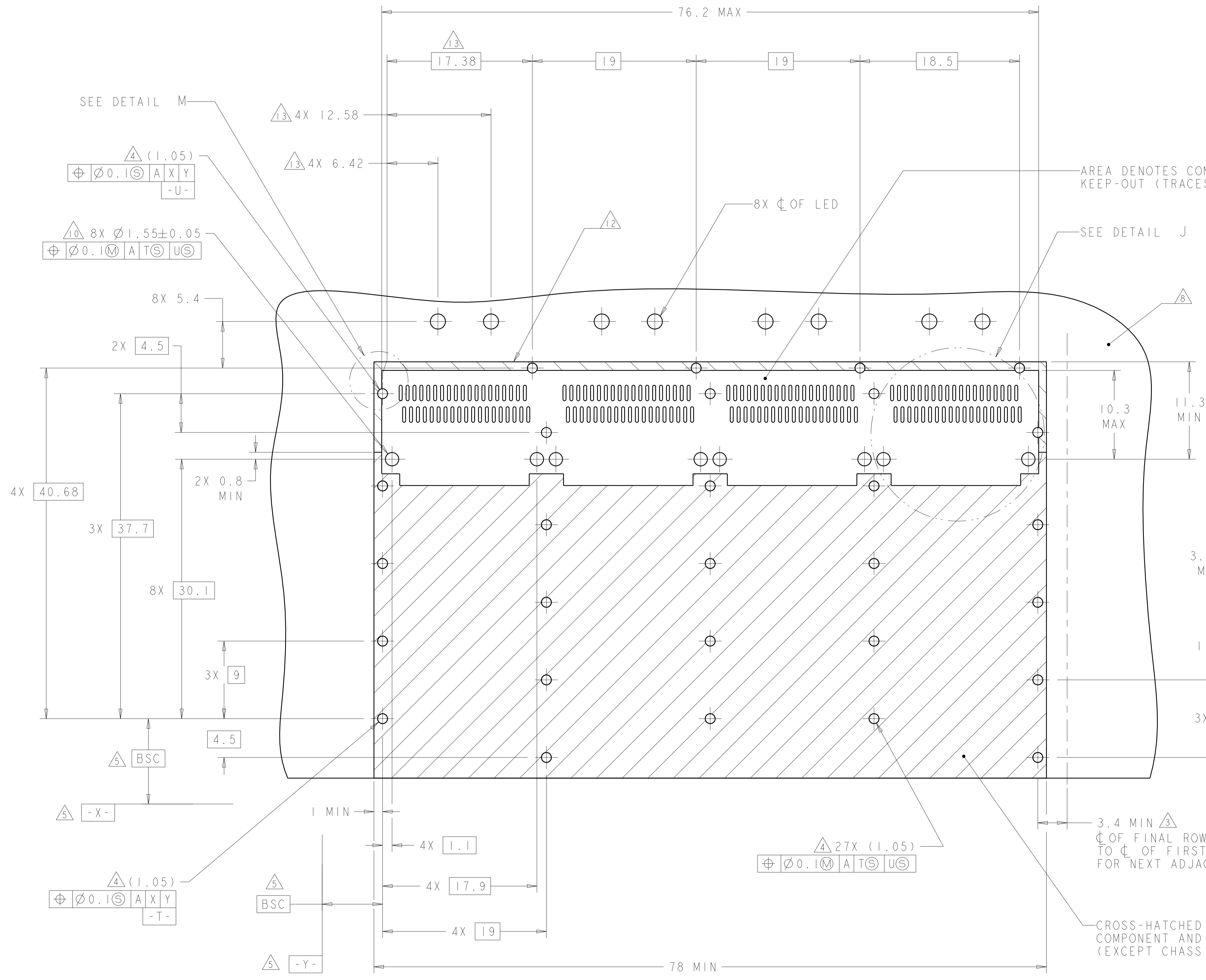
ONE SIDED CONFIGURATION  
 SCALE 5:2



BELLY TO BELLY CONFIGURATION  
 SIMILAR TO ONE SIDED  
 EXCEPT WHERE NOTED  
 SCALE 5:2

|  |  |                             |  |
|--|--|-----------------------------|--|
| THIS DRAWING IS A CONTROLLED DOCUMENT. |  | OWN: C. VALENTINE 01MAY2008 | TE Connectivity  |
| DIMENSIONS: mm                         |  | CHK: E. BRIGHT 01MAY2008    |  |
| TOLERANCES UNLESS OTHERWISE SPECIFIED: |  | APVD: E. BRIGHT 01MAY2008   | NAME: 1X4 CAGE ASSEMBLY, BEHIND BEZEL, W/ LIGHT PIPES AND HEAT SINKS, QSFP |
| 0 PLC ±                                |  | PRODUCT SPEC: 108-2286      |  |
| 1 PLC ±0.1                             |  | APPLICATION SPEC: 114-13218 | SIZE: A100779C=2057183   |
| 2 PLC ±0.1                             |  | WEIGHT: -                   |  |
| 3 PLC ±                                |  | CUSTOMER DRAWING            | RESTRICTED TO: -   |
| 4 PLC ±                                |  | SCALE: 4:1                  | SHEET: 3 OF 5  |
| ANGLES ±                               |  | REV: F                      |  |
| FINISH: -                              |  |                             |  |

| LOC | DIST | REV | DATE | APPD | APVD |
|-----|------|-----|------|------|------|
| GP  | 00   |     |      |      |      |

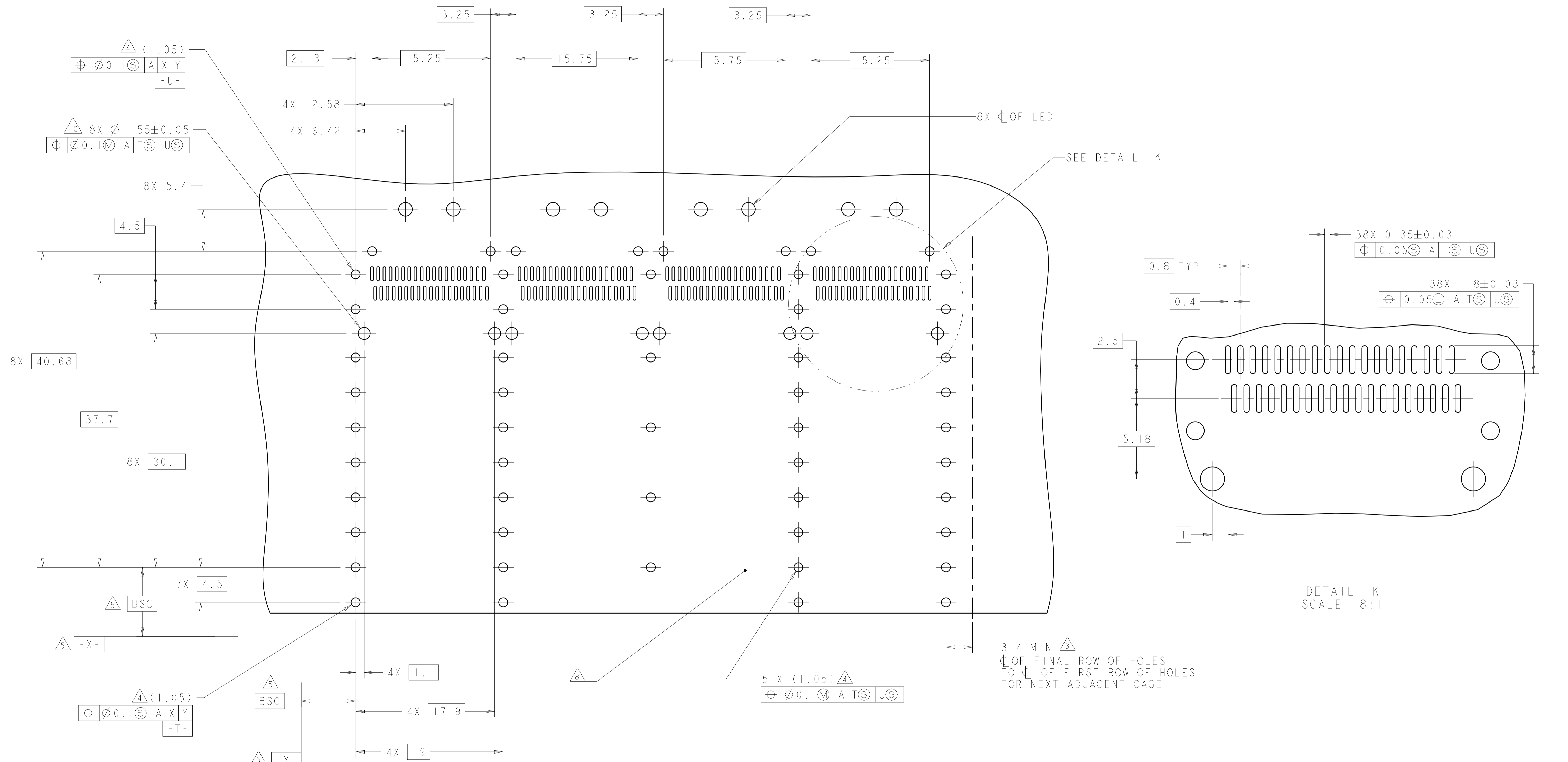


RECOMMENDED PC BOARD LAYOUT  
 SINGLE SIDE MOUNT CONFIGURATION  
 SCALE 4:1

THIS PRODUCT HAS NOT COMPLETED VALIDATION/QUALIFICATION TESTING

|  |  |                                  |  |
|--|--|----------------------------------|--|
| THIS DRAWING IS A CONTROLLED DOCUMENT. |  | OWN<br>C. VALENTINE<br>01MAY2008 | TE Connectivity  |
| DIMENSIONS: mm                         |  | CHK<br>E. BRIGHT<br>01MAY2008    |  |
| TOLERANCES UNLESS OTHERWISE SPECIFIED: |  | APVD<br>E. BRIGHT<br>01MAY2008   | NAME<br>1X4 CAGE ASSEMBLY, BEHIND BEZEL, W/ LIGHT PIPES AND HEAT SINKS, QSFP |
| 0 PLC $\pm 0.1$                        |  | PRODUCT SPEC                     | 108-2286   |
| 1 PLC $\pm 0.1$                        |  | APPLICATION SPEC                 | 114-13218  |
| 2 PLC $\pm 0.1$                        |  | WEIGHT                           | A100779C=2057183   |
| 3 PLC $\pm 0.1$                        |  | CUSTOMER DRAWING                 | SCALE 4:1 SHEET 4 OF 5 REV F   |
| 4 PLC $\pm 0.1$                        |  |                                  |  |
| ANGLES $\pm 0.1$                       |  |                                  |  |
| FINISH                                 |  |                                  |  |

| LOC | DIST | REVISIONS |             |    |      |
|-----|------|-----------|-------------|----|------|
|     |      | REV       | DATE        | BY | APPV |
| GP  | 00   | -         | SEE SHEET 1 | -  | -    |



SEE DETAIL K

DETAIL K  
SCALE 8:1

RECOMMENDED PC BOARD LAYOUT  
 BELLY TO BELLY CONFIGURATION  
 SEE SHEET 4 FOR COMPONENT AND TRACE KEEP-OUTS  
 SCALE 4:1

|   |           |  |   |
|---|-----------|--|---|
| THIS DRAWING IS A CONTROLLED DOCUMENT.  |           | DWN: C. VALENTINE 01MAY2008  | TE Connectivity                           |
| DIMENSIONS: mm  |           | CHK: E. BRIGHT 01MAY2008   |   |
| TOLERANCES UNLESS OTHERWISE SPECIFIED:  |           | APVD: E. BRIGHT 01MAY2008  |   |
| 0 PLC ±<br>1 PLC ±0.1<br>2 PLC ±0.1<br>3 PLC ±<br>4 PLC ±<br>ANGLES ±<br>FINISH ± |           | NAME: 1X4 CAGE ASSEMBLY, BEHIND BEZEL, W/ LIGHT PIPES AND HEAT SINKS, QSFP<br>PRODUCT SPEC: 108-2286<br>APPLICATION SPEC: 114-13218<br>WEIGHT: |   |
| MATERIAL: -   | FINISH: - | SIZE: A100779<br>CAGE CODE: C=2057183<br>CUSTOMER DRAWING:   |   |
| 4805 (3/11)   |           | SCALE: 4:1   | RESTRICTED TO: -<br>SHEET 5 OF 5<br>REV F |

## X-ON Electronics

Largest Supplier of Electrical and Electronic Components

*Click to view similar products for [I/O Connectors](#) category:*

*Click to view products by [TE Connectivity](#) manufacturer:*

Other Similar products are found below :

[571763P](#) [72.250.1628.2](#) [72.250.2428.2](#) [74720-0505](#) [76.350.0729.0](#) [76871-1403](#) [FCN-244F080-G/1](#) [FCN-260A9920](#) [MP-5T180MUNNA-005](#)  
[PCR-E36PM](#) [PCS-XE26MA+](#) [G38A71314B](#) [1571250010](#) [157-22500-3](#) [MS3471L14-19P L/C](#) [91-569786-35H](#) [172501-4002](#) [172501-6002](#)  
[FCN-260C008-A/L0](#) [FCN-260C024-AL0](#) [FCN-261Z008](#) [2000314-1](#) [200331-1](#) [PCR-E36FC+](#) [PCS-E28FS+](#) [PCS-XE26SLFD+](#) [PCS-](#)  
[XE26SLFDT+](#) [G730VID08BDC24](#) [U90B2054081210](#) [UE86K842720321](#) [38113800006](#) [DP3AR020WQ1R200](#) [Z4.102.0680.0](#) [500-1040](#)  
[500-1052](#) [500-1054](#) [ZP-4008-66L](#) [0709821002](#) [10-565995-597N](#) [DX40-20P\(55\)](#) [5554841-1](#) [MS3474W18-8P-LC\\*](#) [U90B3054061110](#) [U65-](#)  
[E04-4020](#) [ZPF000000000097891](#) [557-262M2-06C](#) [747360449](#) [10099439-003C-TRLF](#) [10137239-0021LF](#) [E9320-001-01](#)