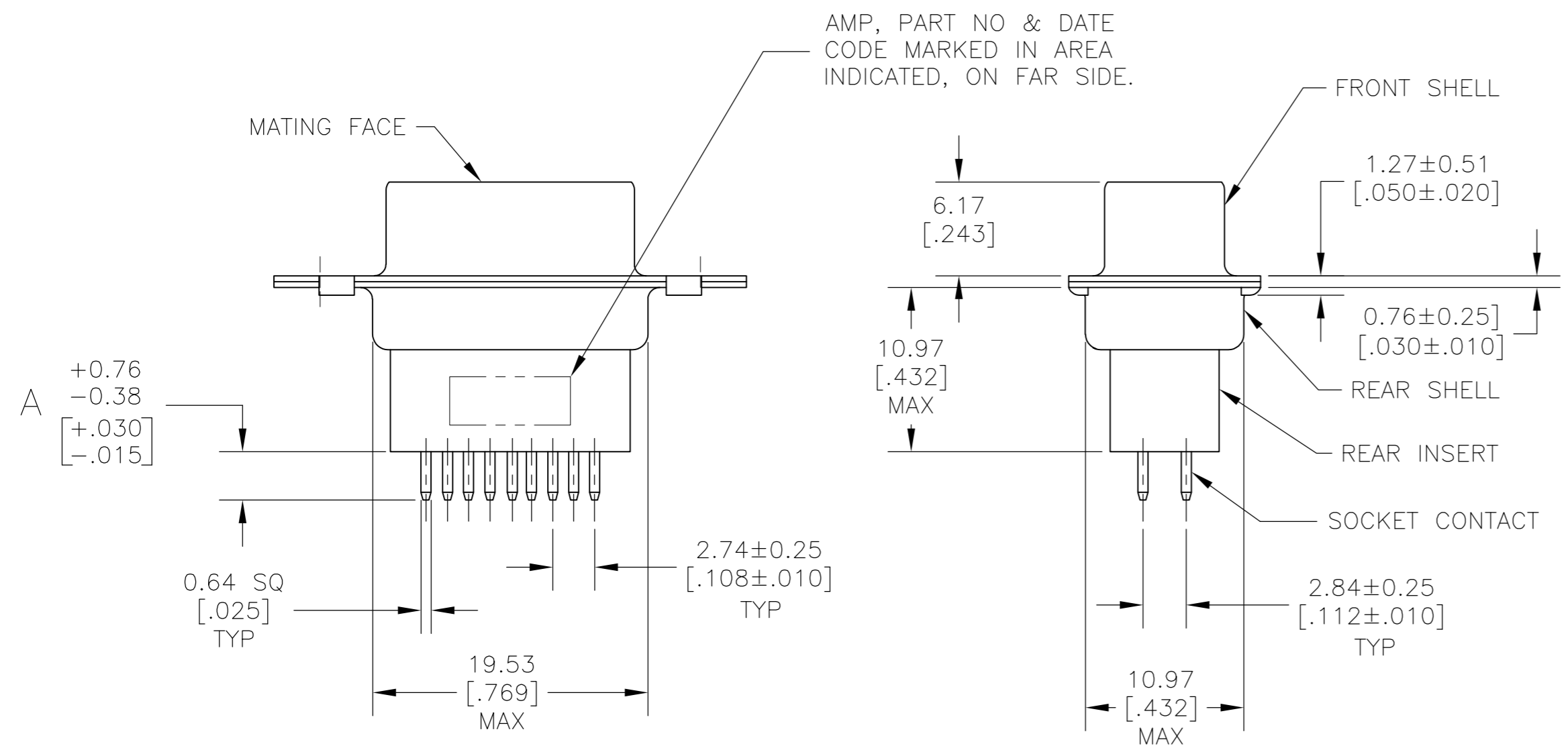
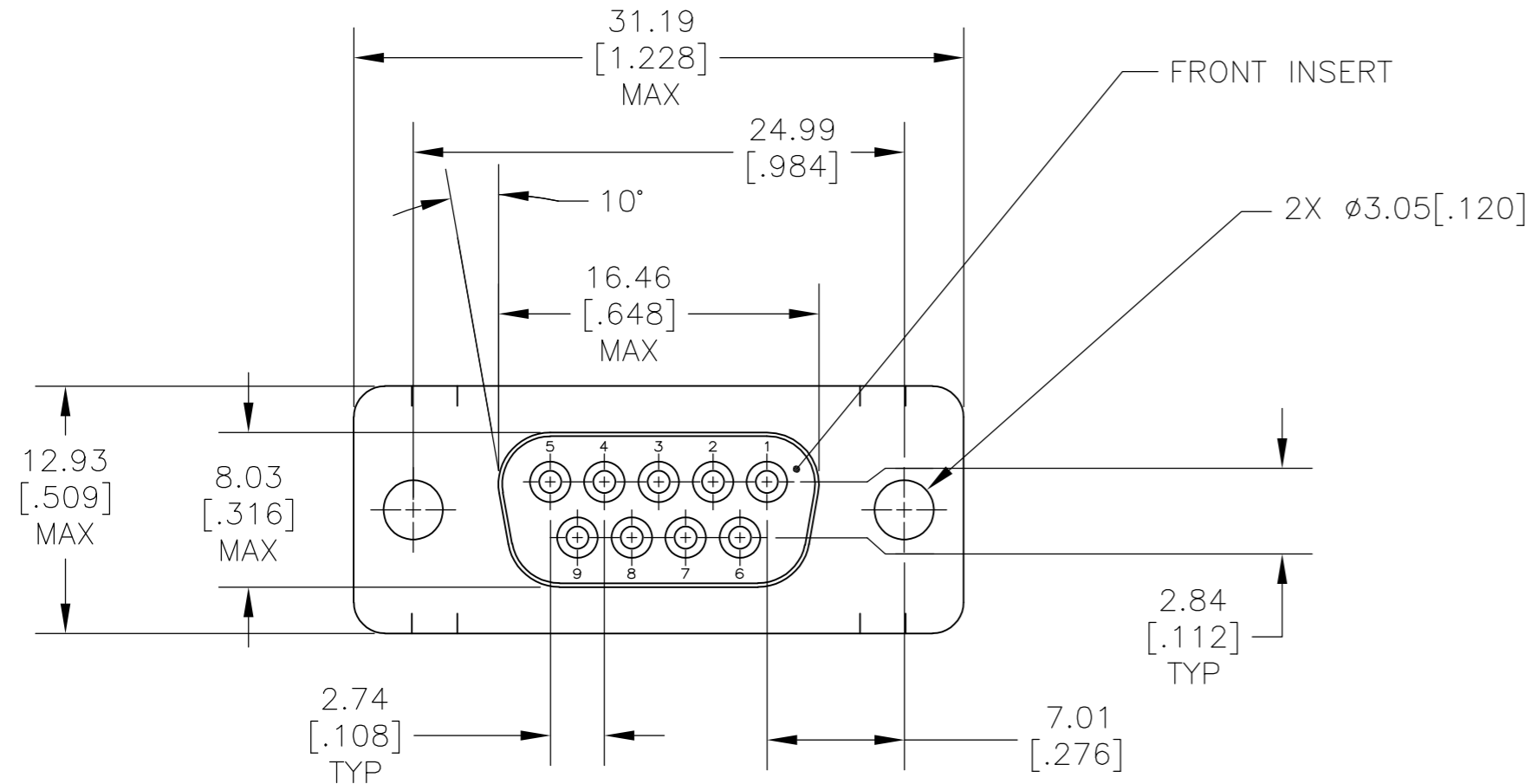


THIS DRAWING IS UNPUBLISHED. RELEASED FOR PUBLICATION
 © COPYRIGHT 2005 By - ALL RIGHTS RESERVED.

LOC	DIST	REVISIONS					
GP	00	P	LTR	DESCRIPTION	DATE	DWN	APVD
		Z		REVISED PER ECO-14-011808	09AUG2014	AP	SB



- 1 MOLDED PARTS: GLASS-FILLED PBT OR GLASS-FILLED NYLON, UL94V-0 RATED.
COLOR: BLACK
SHELLS: CARBON STEEL.
CONTACTS: PHOS BRONZE.
- 2 SHELLS: 5.08µm [.000200] MIN ZINC WITH YELLOW CHROMATE COATING.
CONTACTS: GOLD FLASH PLATED FOR LENGTH OF 3.81 [.150] MIN FROM MATING END,
2.54µm [.000100] MIN TIN-LEAD ON SOLDER END, BOTH OVER
1.27µm [.000050] MIN NICKEL.
- 3. NOTE DELETED.
- 4. NOTE DELETED.
- 5. NOTE DELETED.
- 6. NOTE DELETED.
- 7 SHELLS: 5.08µm [.000200] MIN ZINC WITH YELLOW CHROMATE COATING.
CONTACTS: GOLD PLATED FOR LENGTH OF 3.81 [.150] MIN FROM MATING END,
0.76µm [.000030] MIN GOLD IN MATED AREA,
2.54µm [.000100] MIN TIN-LEAD ON SOLDER END, BOTH OVER
1.27µm [.000050] MIN NICKEL.
OR
GOLD FLASH OVER PALLADIUM-NICKEL PLATED FOR LENGTH OF
3.81 [.150] MIN FROM MATING END,
0.76µm [.000030] MIN TOTAL IN MATED AREA,
2.54µm [.000100] MIN TIN-LEAD ON SOLDER END, BOTH OVER
1.27µm [.000050] MIN NICKEL.

OBSOLETE	-	-	205734-9
SUPSD BY 205734-7	2	4.78 [.188]	205734-8
	7	4.78 [.188]	205734-7
SUPSD BY 205734-5	-	-	205734-6
	7	16.54 [.651]	205734-5
	2	10.85 [.427]	205734-4
SUPSD BY 205734-5	7	10.85 [.427]	205734-3
SUPSD BY 205734-1	2	3.18 [.125]	205734-2
	7	3.18 [.125]	205734-1
	CONTACT FINISH	A	PART NUMBER

THIS DRAWING IS A CONTROLLED DOCUMENT.

DIMENSIONS: mm [INCHES]	TOLERANCES UNLESS OTHERWISE SPECIFIED: 0 PLC ± - 1 PLC ± - 2 PLC ± - 3 PLC ± .005 4 PLC ± - ANGLES ± - FINISH	DWN J. POLIGNONE 01FEB07 CHK E. BRIANT 01FEB07 APVD E. BRIANT 01FEB07 PRODUCT SPEC 108-40025 APPLICATION SPEC 114-40013 WEIGHT -	TE Connectivity RECEPTACLE ASSEMBLY, SIZE 1, 9 POSN, VERTICAL, AMPLIMITE HDP - SIZE A2 CAGE CODE 00779 DRAWING NO C=205734 RESTRICTED TO -
MATERIAL 1	FINISH 2 7	CUSTOMER DRAWING	SCALE NTS SHEET 1 of 1 REV Z

X-ON Electronics

Largest Supplier of Electrical and Electronic Components

Click to view similar products for [D-Sub Standard Connectors](#) category:

Click to view products by [TE Connectivity](#) manufacturer:

Other Similar products are found below :

[56F711-015](#) [012-9507-004](#) [LV242999-142T12](#) [015-0341-000](#) [015-0372-005](#) [015-0372-008](#) [015-8755-001](#) [020419-0104](#) [012-0467-000](#) [012-0515-000](#) [012-9507-034](#) [012-9507-114](#) [020745-0008](#) [609-25P](#) [M24308/2-23Z](#) [CT2-14S-2PCA34](#) [CT2-18-11PCAU](#) [CT6-10SL-3SC](#) [CT6-10SL-4SC](#) [CT6-14S-2SC](#) [CT6E14SA7SC](#) [M83513/01-FC](#) [M83723/76W24619 L/C](#) [M85049/48-3-2F](#) [6STD09PCM99B70X](#) [6STD09SCM99B30X](#) [6STD09SCT99S40X](#) [6STD15PCT99S40X](#) [6STD15SCM99B30X](#) [6STD15SCT99S40X](#) [6STF09PCM05B70X](#) [7-135760-9](#) [MC11E-10-6SN](#) [747552-3](#) [MD1-21PS](#) [MDM-15SCBRM7-F222](#) [MDM96517-699](#) [MDM96521-744](#) [MDVB1-21SL1](#) [MIK0-1-7SH003](#) [MIKQ6-7SH076](#) [MIKQ7-7PH077](#) [MIKQ7-7PH11](#) [MIKQ7-7PH32](#) [MJSV-28SL61](#) [MKJ4A1F14-55S](#) [8-135760-3](#) [8STD09PCM99B30X](#) [PG-KV/PV-16-GROM-SEALING](#) [GDA15P](#)