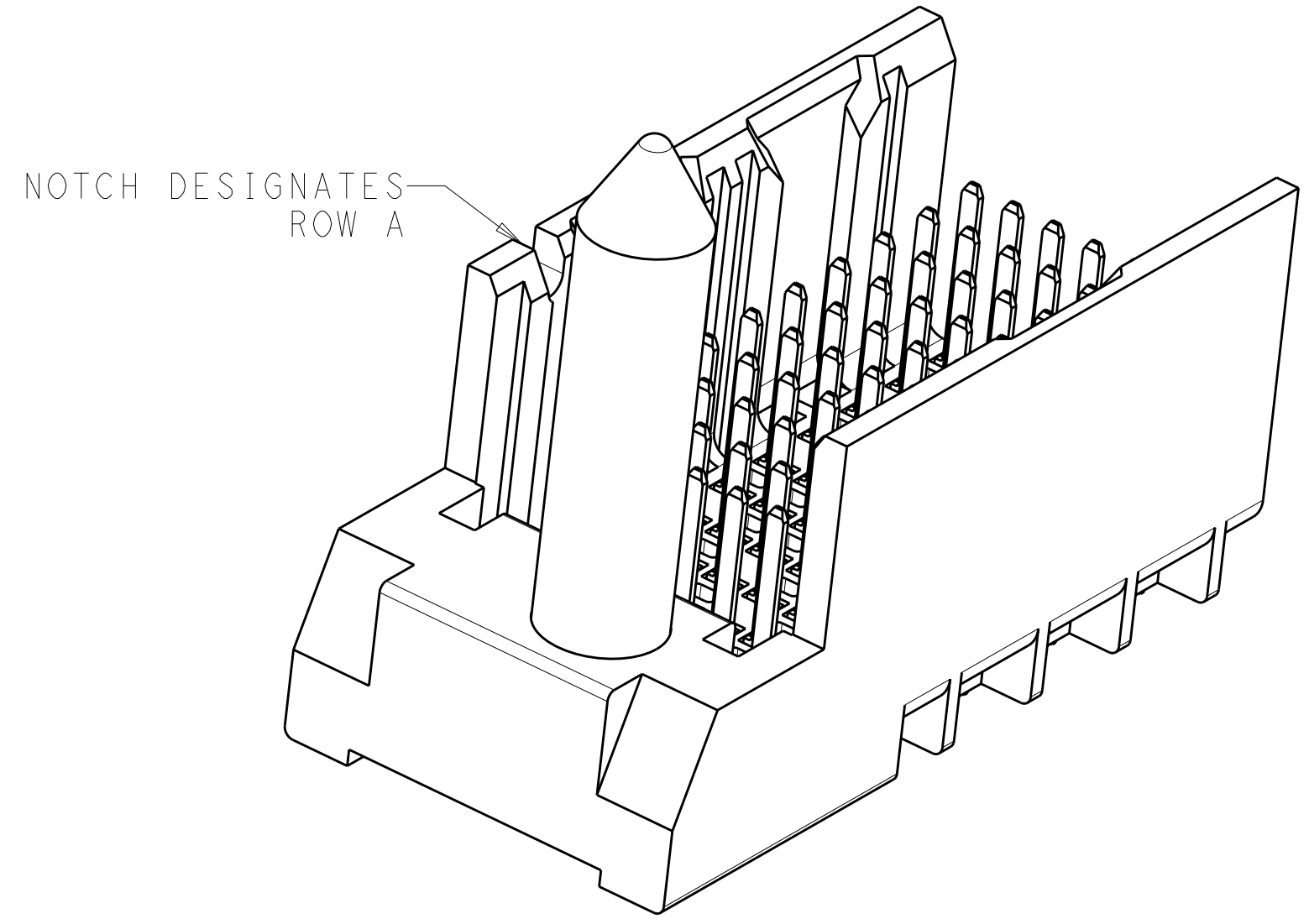
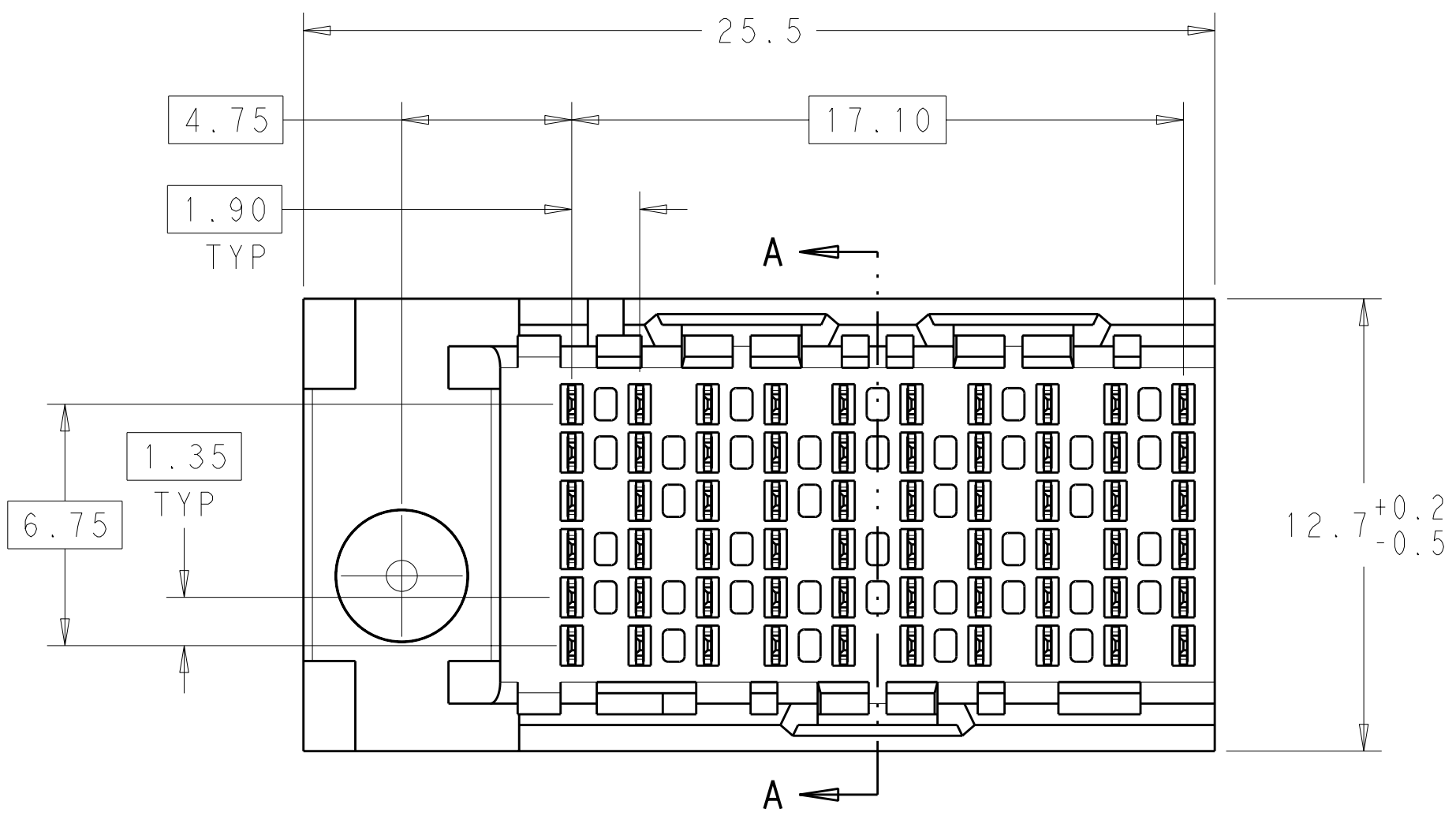
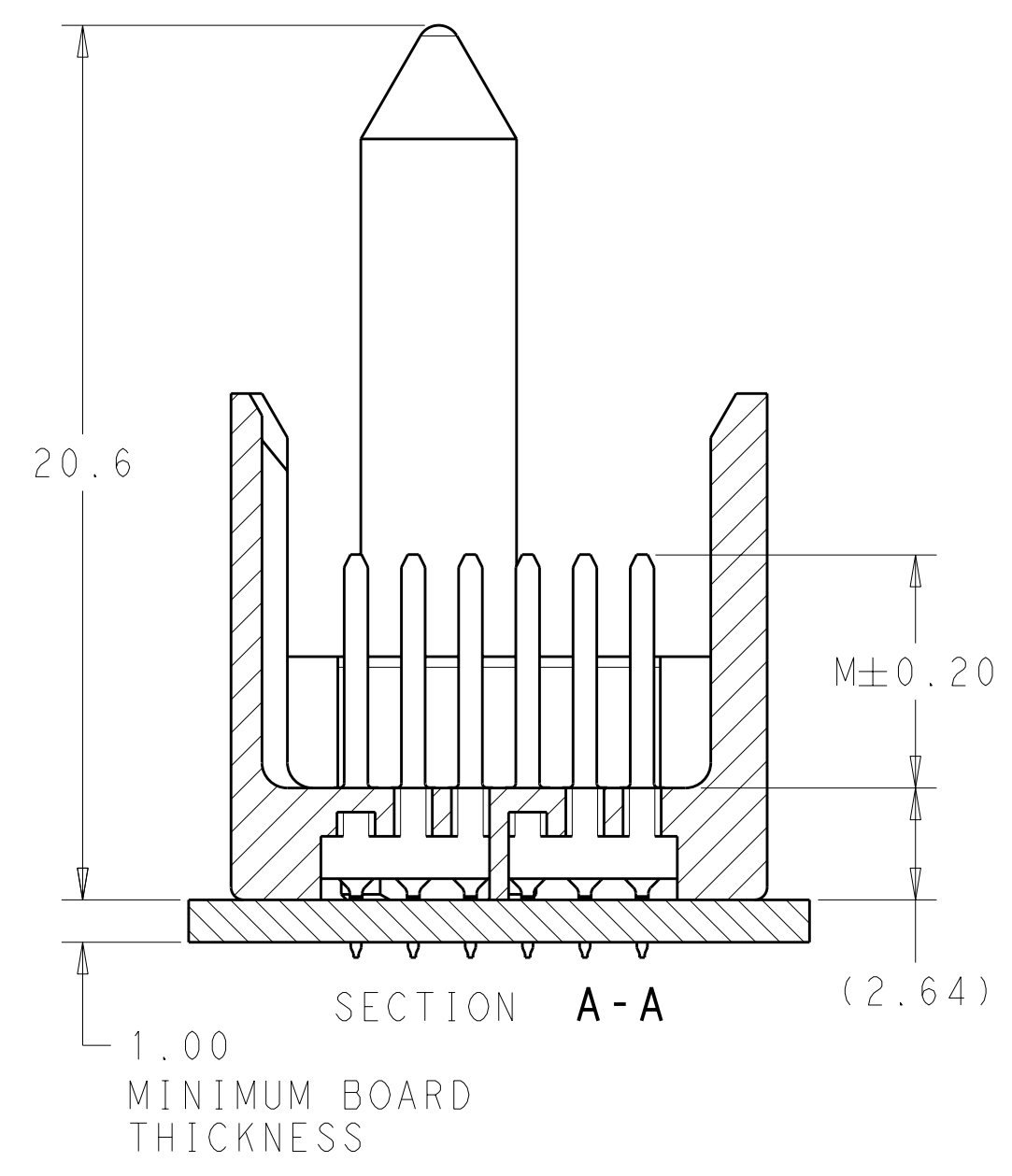
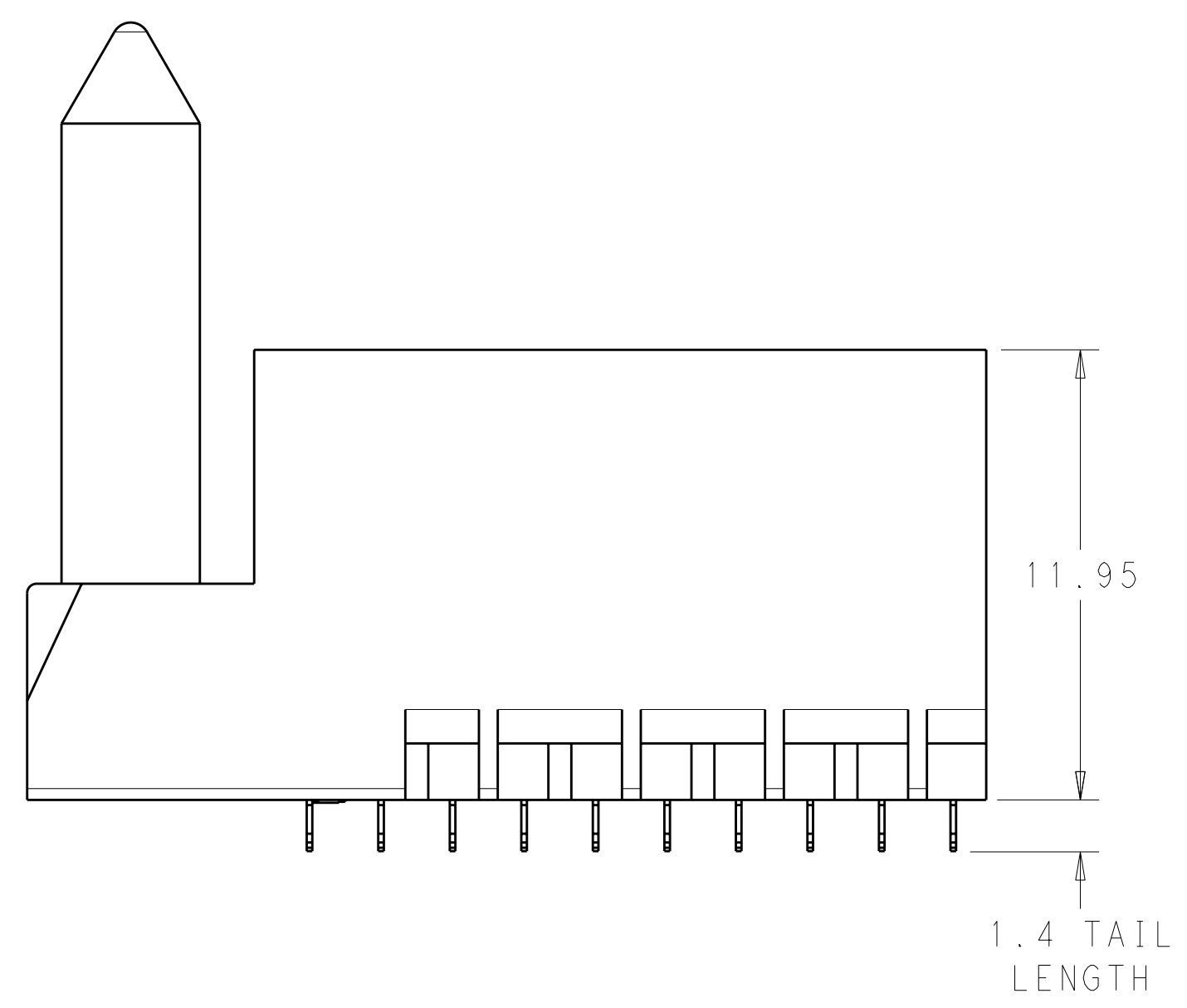
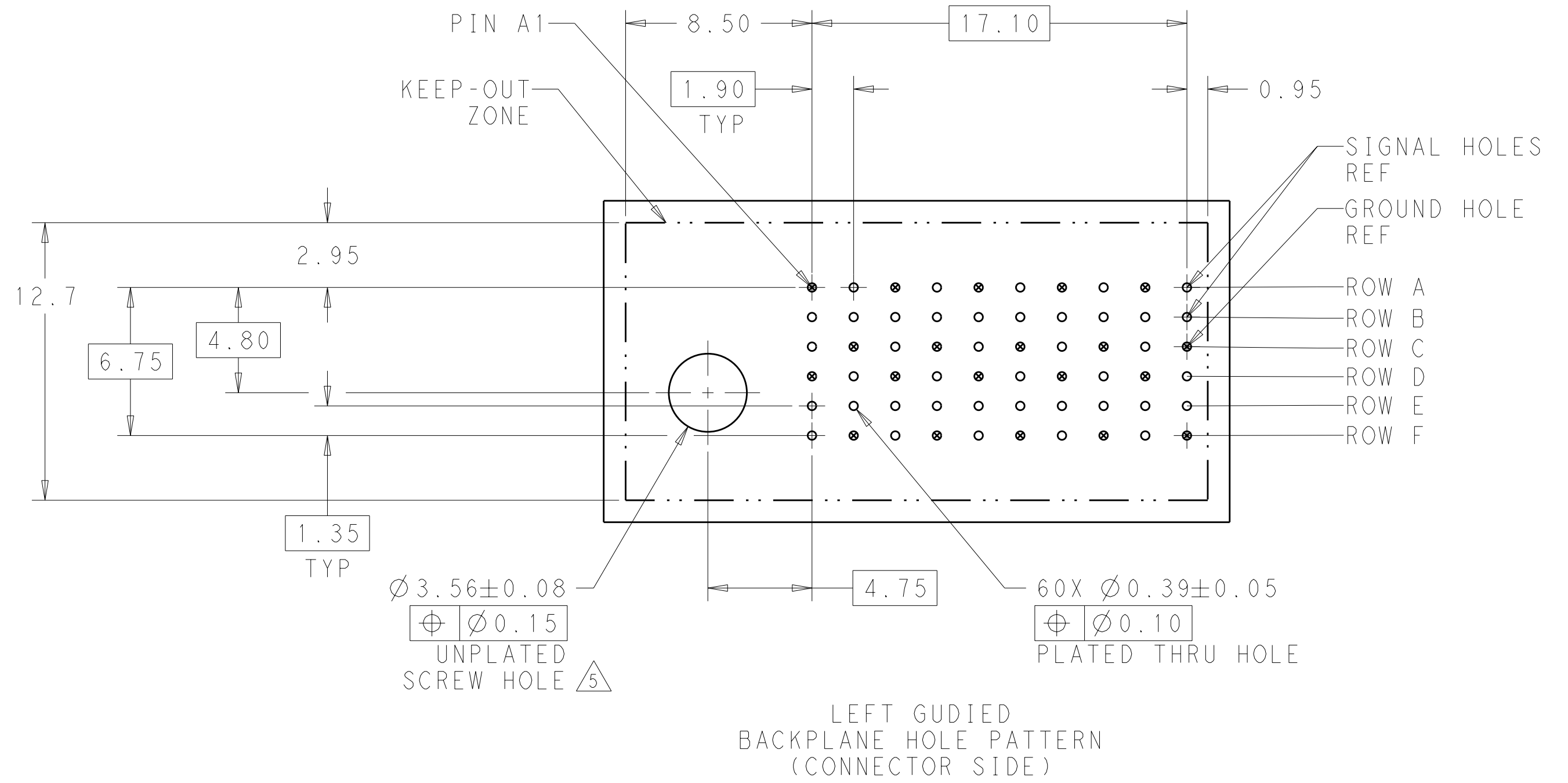


LOC	DIST	REV	DATE	BY	CHK	APPD
AD	00	B	04JAN12	KH	DY	



- 1 MATERIAL:
HOUSING: LCP, GLASS FILLED, UL94V-0.
TERMINALS: HIGH PERFORMANCE COPPER ALLOY.
- 2 FINISH:
30μ" MIN GOLD IN CONTACT AREA. SELECTIVE TIN ON PCB TAILS, NICKEL OVERALL.
- 3 FINISH:
30μ" MIN GOLD IN CONTACT AREA. SELECTIVE TIN-LEAD ON PCB TAILS, NICKEL OVERALL.
- 4. SCREWS PACKAGED IN END OF PACKAGING TUBE.
- 5 FOR GROUNDED GUIDE PIN USE Ø3.56±0.08 PTH, Ø3.66 DRILL, AND Ø6.5 PAD.




THIS DRAWING IS A CONTROLLED DOCUMENT.		DWN J. K. SHOBER 02DEC2010		TE Connectivity	
DIMENSIONS: mm		CHK J. EARY 02DEC2010			
TOLERANCES UNLESS OTHERWISE SPECIFIED:		APVD J. EARY 02DEC2010		NAME IMPACT, 2 PAIR, 10 COLUMN, HEADER	
9 PLC ±		PRODUCT SPEC		LEFT GUIDED, OPEN END WALL	
1 PLC ±0.25		APPLICATION SPEC		SIGNAL MODULE, 0.39 PTH	
3 PLC ±0.13		SIZE CAGE CODE DRAWING NO		RESTRICTED TO	
5 PLC ±		WEIGHT		A1100779C=2057419	
4 PLC ±		CUSTOMER DRAWING		SCALE 6:1 SHEET 1 OF 2 REV B	
ANGLES ±					
FINISH SEE TABLE					

THIS DRAWING IS UNPUBLISHED. RELEASED FOR PUBLICATION 20
 © COPYRIGHT 20 . . . ALL RIGHTS RESERVED.

LOC	DIST	REVISIONS				
AD	00	P	LTG	DATE	DWN	APVD
-	-	-	-	SEE SHEET 1	-	-

FINISH	DIM M	PART NUMBER
\triangle_3	5.5	2057419-6
\triangle_3	4.9	2057419-5
\triangle_3	4.5	2057419-4
\triangle_2	5.5	2057419-3
\triangle_2	4.9	2057419-2
\triangle_2	4.5	2057419-1

REFER TO WWW.TE.COM
 FOR PRODUCT AVAILABILITY

THIS DRAWING IS A CONTROLLED DOCUMENT.		DWN J. K. SHOBER 02DEC2010	 TE Connectivity NAME IMPACT, 2 PAIR, 10 COLUMN, HEADER LEFT GUIDED, OPEN END WALL SIGNAL MODULE, 0.39 PTH	
DIMENSIONS: mm		CHK J. EARY 02DEC2010		
TOLERANCES UNLESS OTHERWISE SPECIFIED: 9 PLC ± 7 PLC ±0.25 5 PLC ±0.13 4 PLC ± ANGLES ± FINISH SEE TABLE		APVD J. EARY 02DEC2010	PRODUCT SPEC	RESTRICTED TO
MATERIAL		APPLICATION SPEC	WEIGHT	SCALE 5:1 SHEET 2 OF 2 REV B
CUSTOMER DRAWING		SIZE CAGE CODE DRAWING NO A100779C=2057419	WEIGHT	

X-ON Electronics

Largest Supplier of Electrical and Electronic Components

Click to view similar products for [High Speed/Modular Connectors](#) category:

Click to view products by [TE Connectivity](#) manufacturer:

Other Similar products are found below :

[650827-1](#) [74040-1346](#) [1410191-1](#) [1410368-3](#) [1410964-2](#) [1410326-3](#) [1410367-3](#) [1410971-4](#) [1467833-1](#) [2000877-1](#) [2000878-1](#) [2041314-1](#)
[2065387-1](#) [2187307-1](#) [163P](#) [1934290-1](#) [2000875-1](#) [2065917-1](#) [2102736-2](#) [FSR-40](#) [2169868-2](#) [22354-8](#) [437-5040-000](#) [5-1393565-0](#) [039-](#)
[0246-000](#) [0761601016](#) [0784461022](#) [10123159-12ELF](#) [030-2415-003/100 PK](#) [030-7380-004](#) [030-2494-001](#) [532939-1](#) [5532901-3](#) [3-1469268-](#)
[7](#) [74748-102LF](#) [10041743-101LF](#) [10066670-100002LF](#) [1-533915-1](#) [249-4515-000](#) [7-1469373-3](#) [DL2-2J/S](#) [2000713-8](#) [2000713-7](#)
[10124313-101LF](#) [3011-21](#) [757105208](#) [EBTF-4-10-2.0-S-RA-1](#) [430305-001](#) [4395800100](#) [8140115](#)