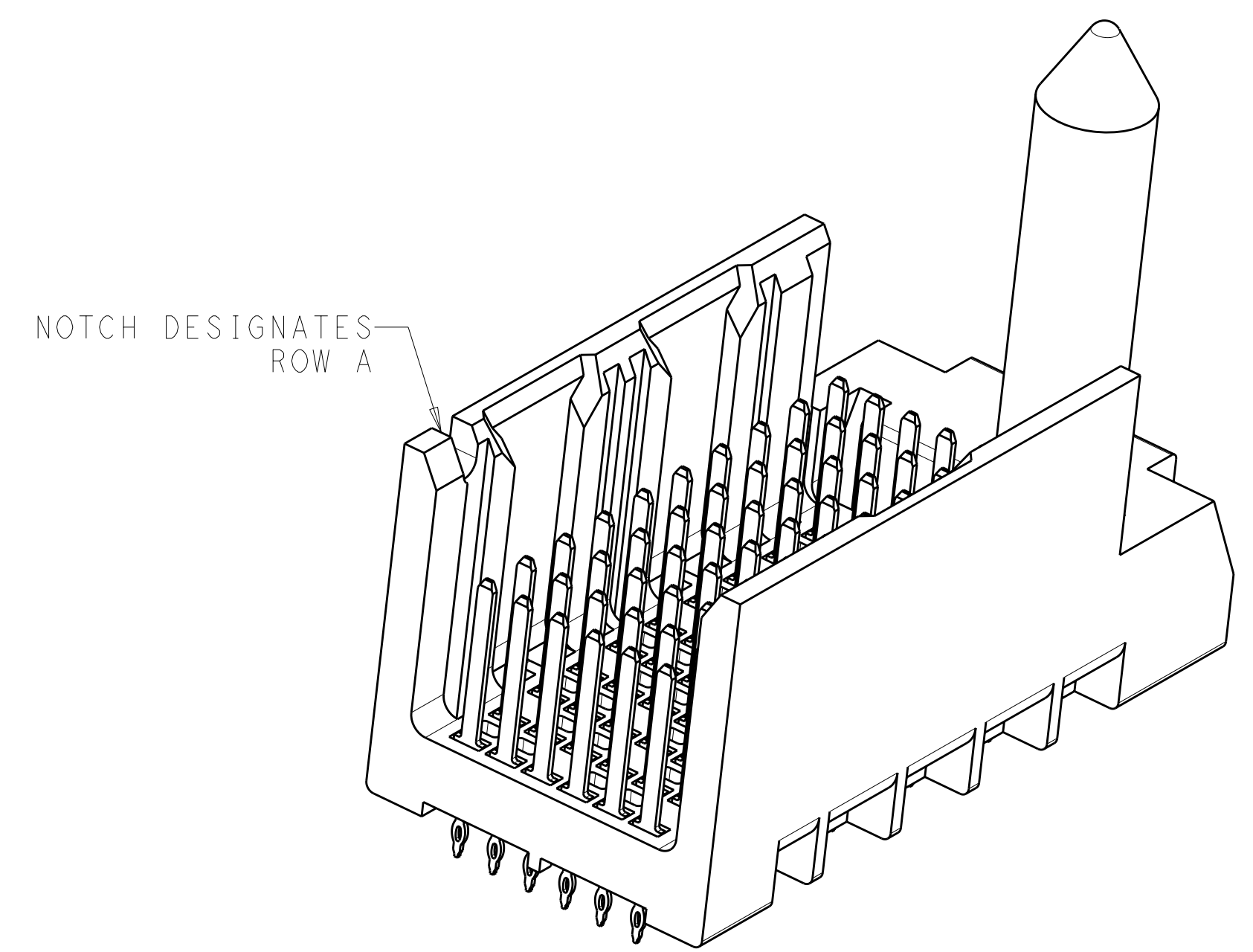
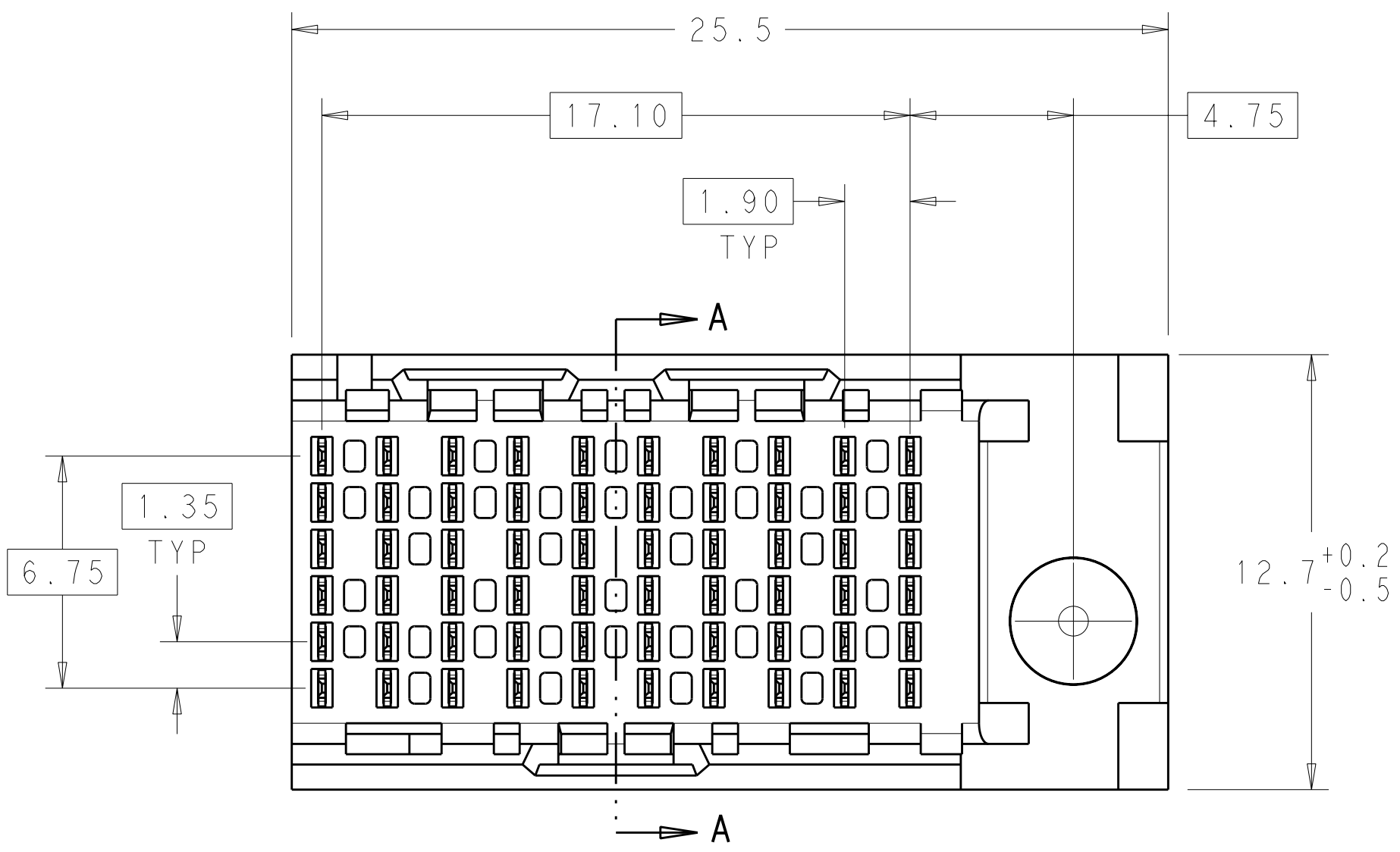
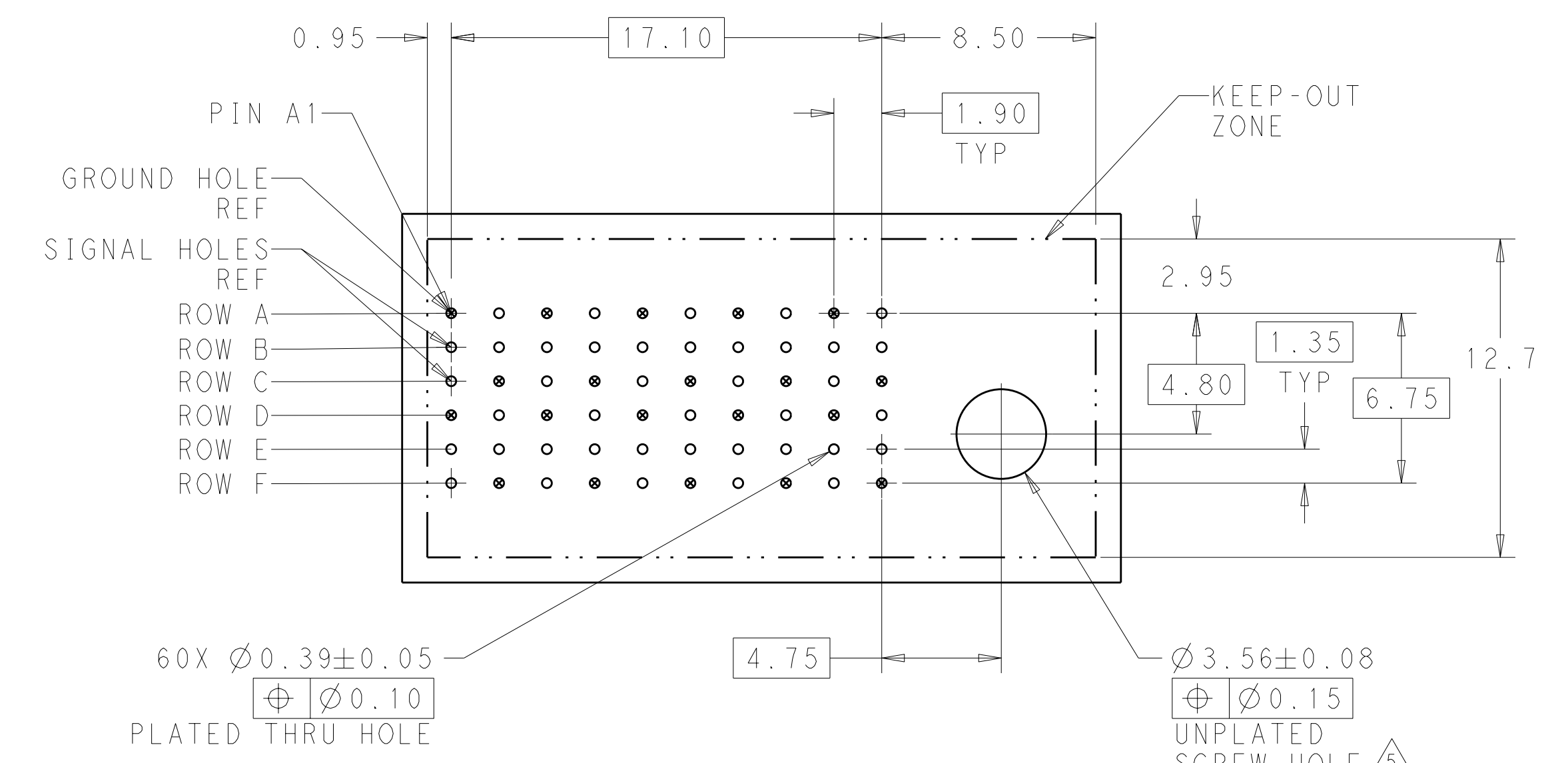


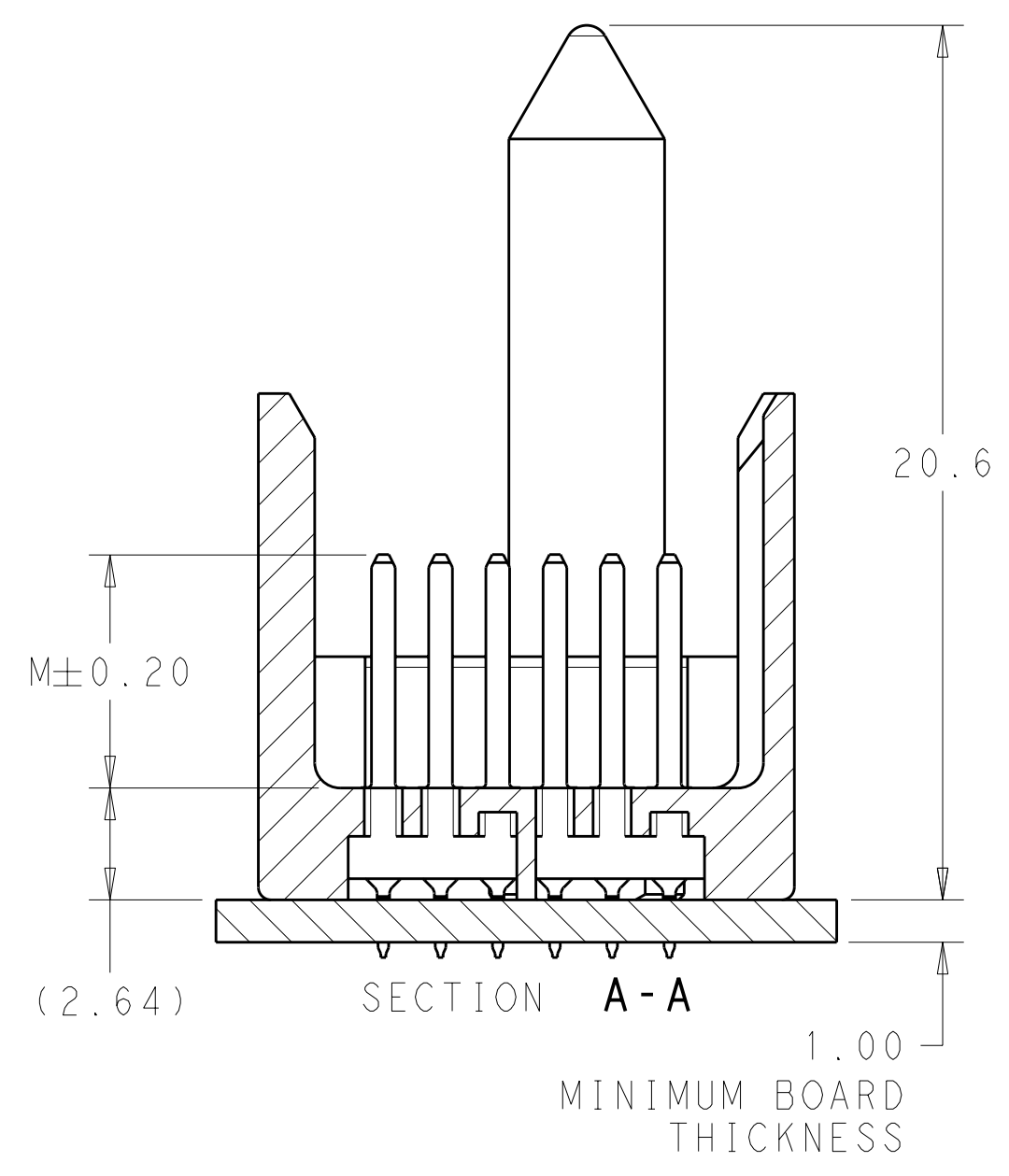
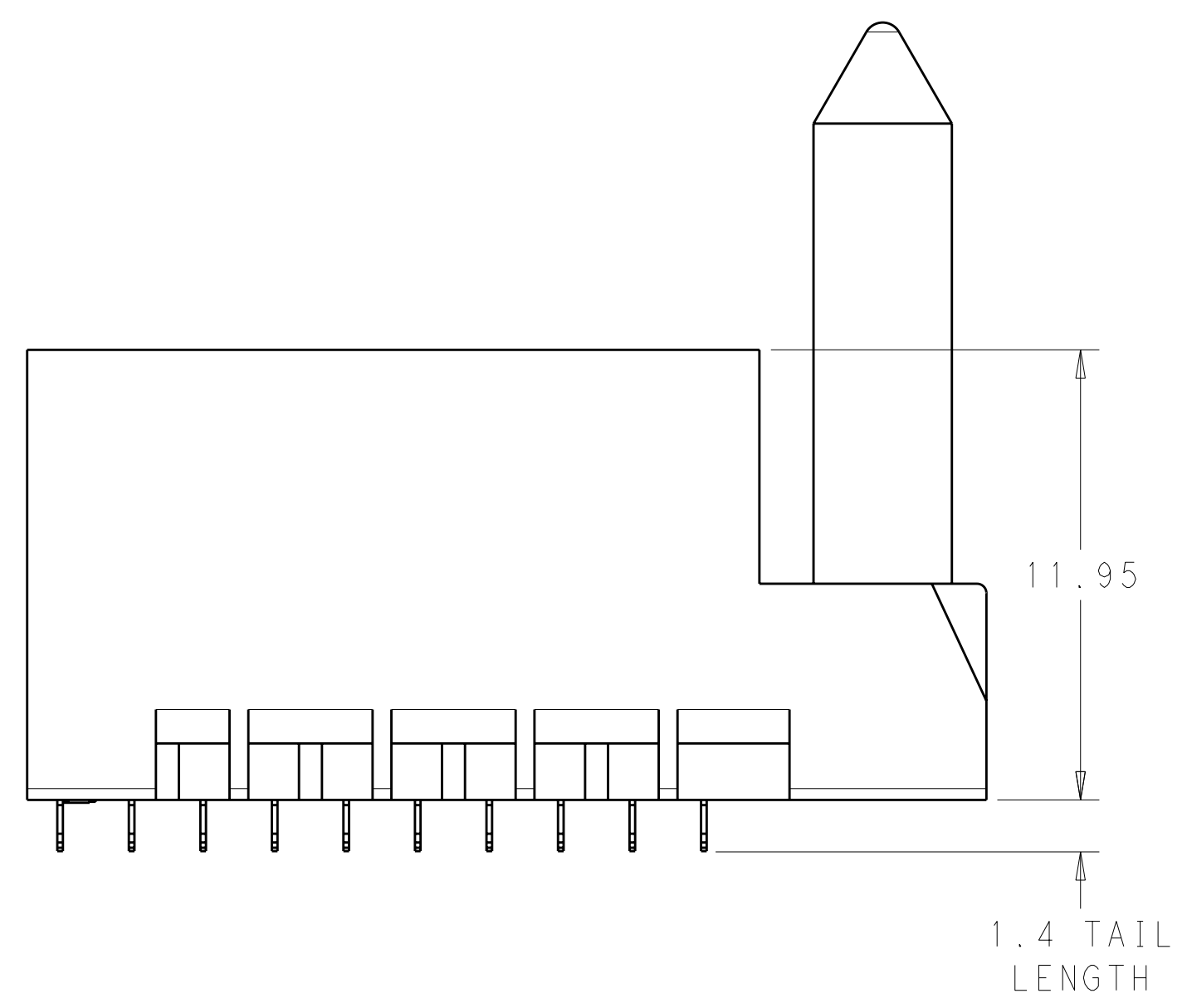
LOC	DIST	REV	DATE	BY	CHK	APPV
AD	00	B	04JAN11	KH	DY	



- 1 MATERIAL:  
HOUSING: LCP, GLASS FILLED, UL94V-0.  
TERMINALS: HIGH PERFORMANCE COPPER ALLOY.
- 2 FINISH:  
30μ" MIN GOLD IN CONTACT AREA. SELECTIVE TIN ON PCB TAILS, NICKEL OVERALL.
- 3 FINISH:  
30μ" MIN GOLD IN CONTACT AREA. SELECTIVE TIN-LEAD ON PCB TAILS, NICKEL OVERALL.
- 4. SCREWS PACKAGED IN END OF PACKAGING TUBE.
- 5 FOR GROUNDED GUIDE PIN USE  $\phi 3.56 \pm 0.08$  PTH,  $\phi 3.66$  DRILL, AND  $\phi 6.5$  PAD.



RIGHT GUIDED BACKPLANE HOLE PATTERN (CONNECTOR SIDE)




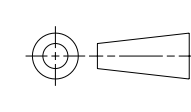
THIS DRAWING IS A CONTROLLED DOCUMENT.		OWN: J. K. SHOBER 31JAN2011	TE Connectivity
DIMENSIONS: mm		CHK: J. EARY 31JAN2011	
TOLERANCES UNLESS OTHERWISE SPECIFIED:		APVD: J. EARY 31JAN2011	NAME: IMPACT, 2 PAIR, 10 COLUMN, HEADER
Ø	9 PLC ±0.25	PRODUCT SPEC	RIGHT GUIDED, OPEN END WALL
PLC	5 PLC ±0.13	APPLICATION SPEC	SIGNAL MODULE, 0.39 PTH
ANGLE	4 PLC ±	SIZE CAGE CODE DRAWING NO	A100779C=2057423
FINISH	SEE TABLE	WEIGHT	RESTRICTED TO
MATERIAL		CUSTOMER DRAWING	SCALE 6:1 SHEET 1 OF 2 REV B

THIS DRAWING IS UNPUBLISHED. RELEASED FOR PUBLICATION 20  
 © COPYRIGHT 20 . . . ALL RIGHTS RESERVED.

LOC	DIST	REVISIONS					
AD	00	P	LTB	DESCRIPTION	DATE	DWN	APVD
		-	-	SEE SHEET 1	-	-	-

FINISH	DIM M	PART NUMBER
$\triangle_3$	5.5	2057423-6
$\triangle_3$	4.9	2057423-5
$\triangle_3$	4.5	2057423-4
$\triangle_2$	5.5	2057423-3
$\triangle_2$	4.9	2057423-2
$\triangle_2$	4.5	2057423-1

REFER TO WWW.TE.COM  
FOR PRODUCT AVAILABILITY

THIS DRAWING IS A CONTROLLED DOCUMENT.		DWN J. K. SHOBER 31 JAN 2011	 TE Connectivity	
DIMENSIONS: mm		CHK J. EARY 31 JAN 2011		
		TOLERANCES UNLESS OTHERWISE SPECIFIED: 9 PLC ± 7 PLC ±0.25 5 PLC ±0.13 4 PLC ± ANGLES ± FINISH ±		NAME IMPACT, 2 PAIR, 10 COLUMN, HEADER RIGHT GUIDED, OPEN END WALL SIGNAL MODULE, 0.39 PTH
MATERIAL -		APVD J. EARY 31 JAN 2011 PRODUCT SPEC - APPLICATION SPEC - WEIGHT -		SIZE CAGE CODE DRAWING NO A100779C=2057423 RESTRICTED TO -
SEE TABLE		CUSTOMER DRAWING		SCALE 5:1 SHEET 2 OF 2 REV B

## X-ON Electronics

Largest Supplier of Electrical and Electronic Components

*Click to view similar products for [High Speed/Modular Connectors](#) category:*

*Click to view products by [TE Connectivity](#) manufacturer:*

Other Similar products are found below :

[650827-1](#) [74040-1346](#) [1410191-1](#) [1410368-3](#) [1410964-2](#) [1410326-3](#) [1410367-3](#) [1410971-4](#) [1467833-1](#) [2000877-1](#) [2000878-1](#) [2041314-1](#)  
[2065387-1](#) [2187307-1](#) [163P](#) [1934290-1](#) [2000875-1](#) [2065917-1](#) [2102736-2](#) [FSR-40](#) [2169868-2](#) [22354-8](#) [437-5040-000](#) [5-1393565-0](#) [039-](#)  
[0246-000](#) [0761601016](#) [0784461022](#) [10123159-12ELF](#) [030-2415-003/100 PK](#) [030-7380-004](#) [030-2494-001](#) [532939-1](#) [5532901-3](#) [3-1469268-](#)  
[7](#) [74748-102LF](#) [73670-0247](#) [10041743-101LF](#) [10066670-100002LF](#) [1-533915-1](#) [249-4515-000](#) [7-1469373-3](#) [DL2-2J/S](#) [2000713-8](#)  
[2000713-7](#) [10124313-101LF](#) [3011-21](#) [757105208](#) [EBTF-4-10-2.0-S-RA-1](#) [430305-001](#) [4395800100](#)