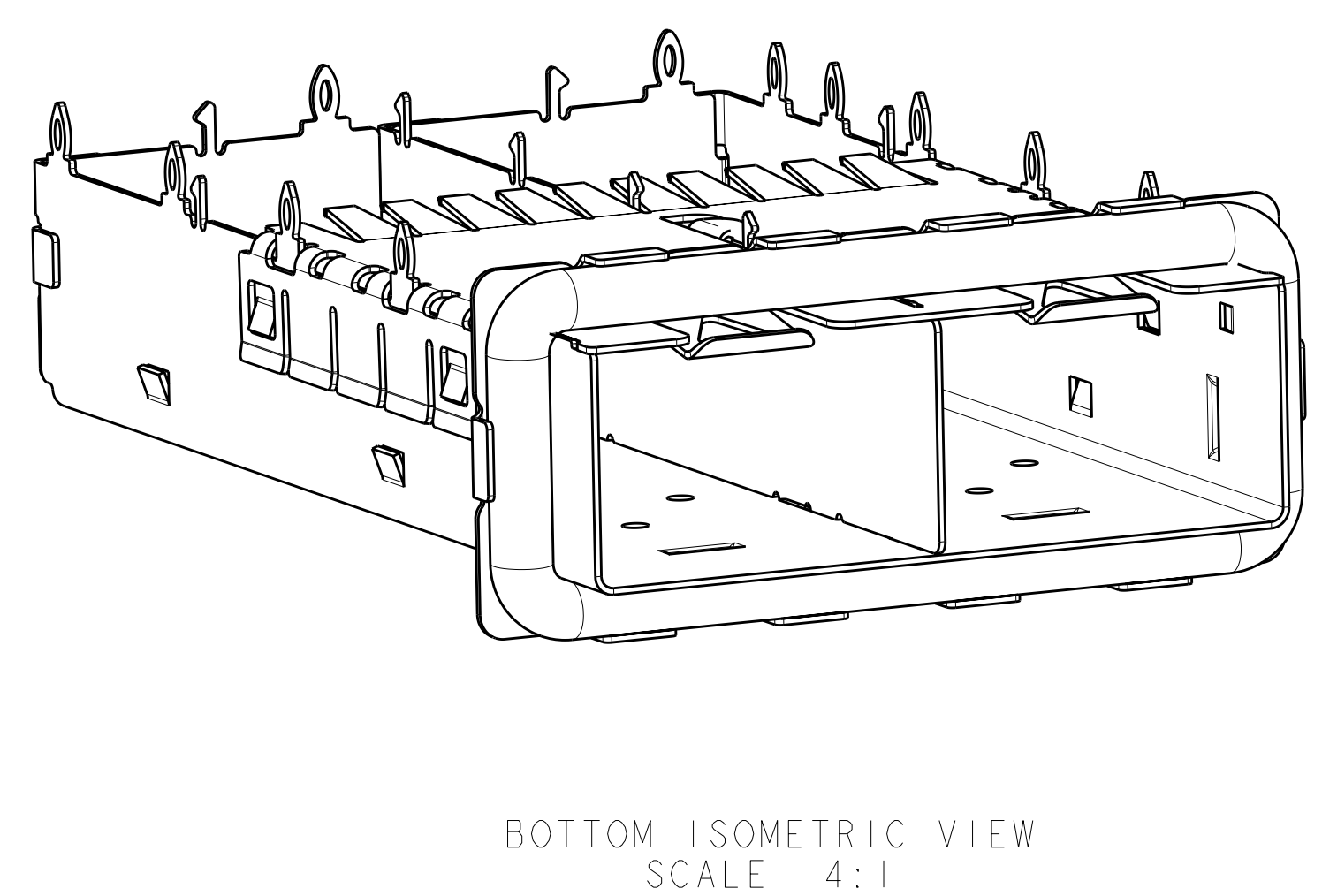
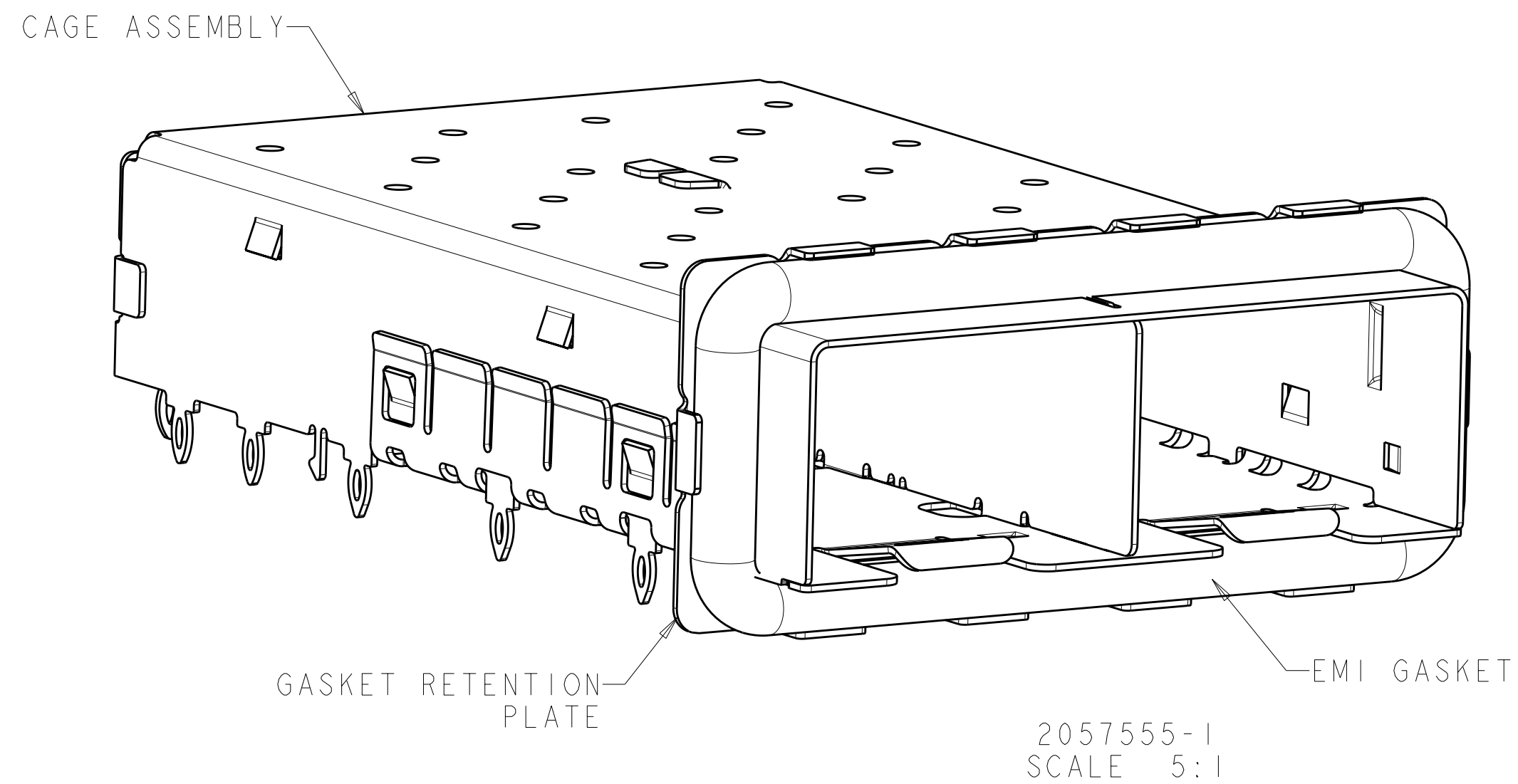
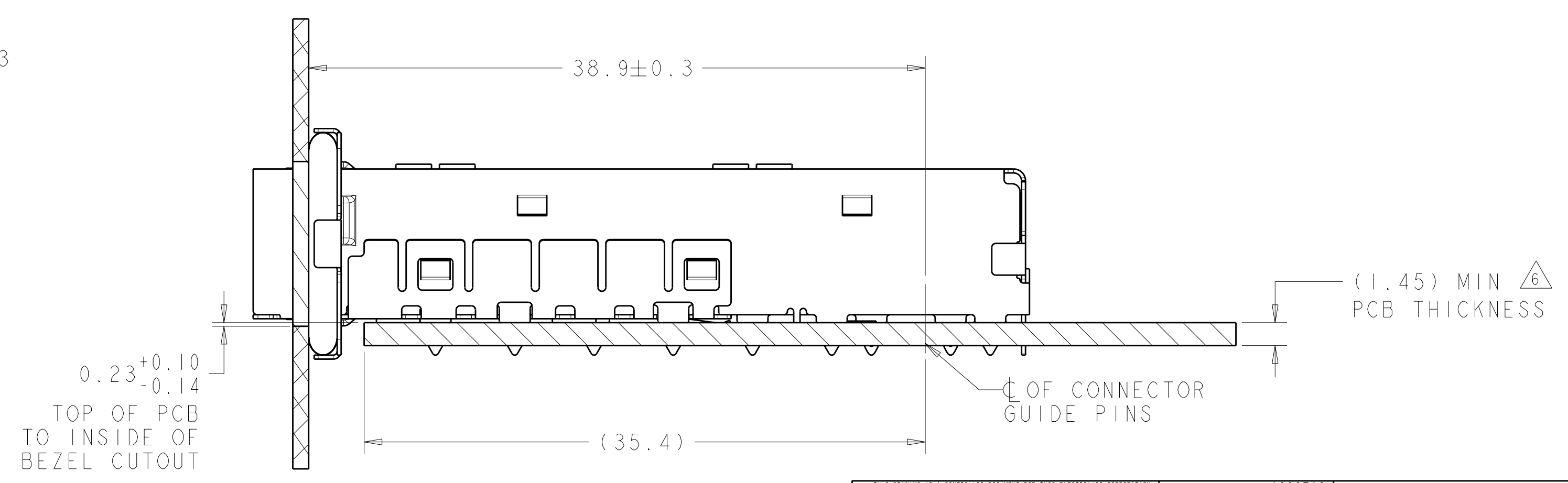
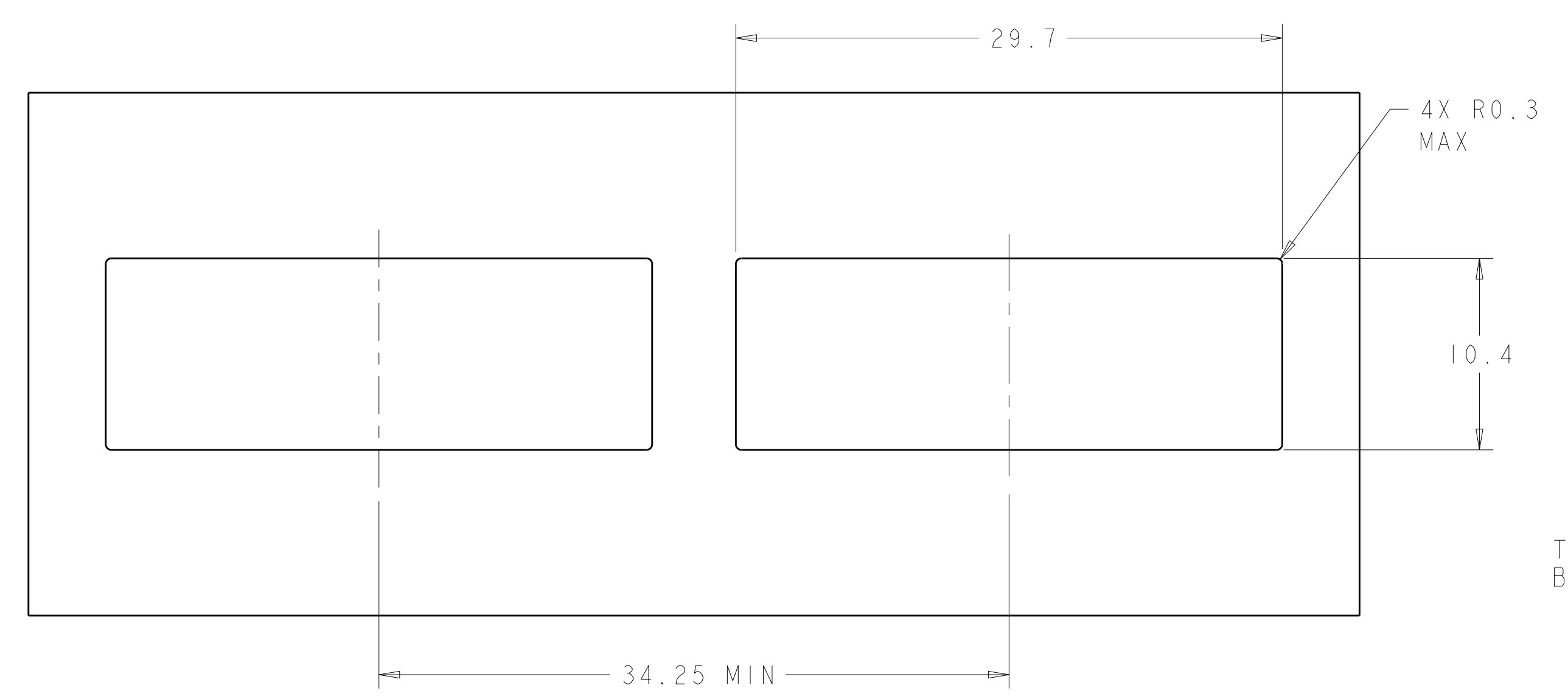
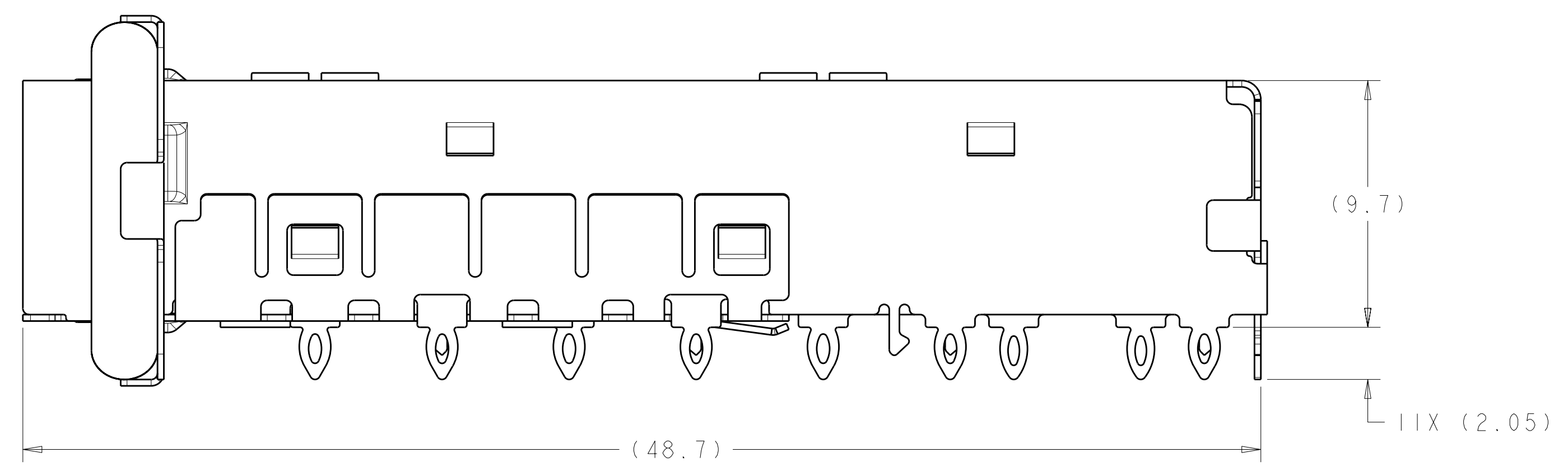
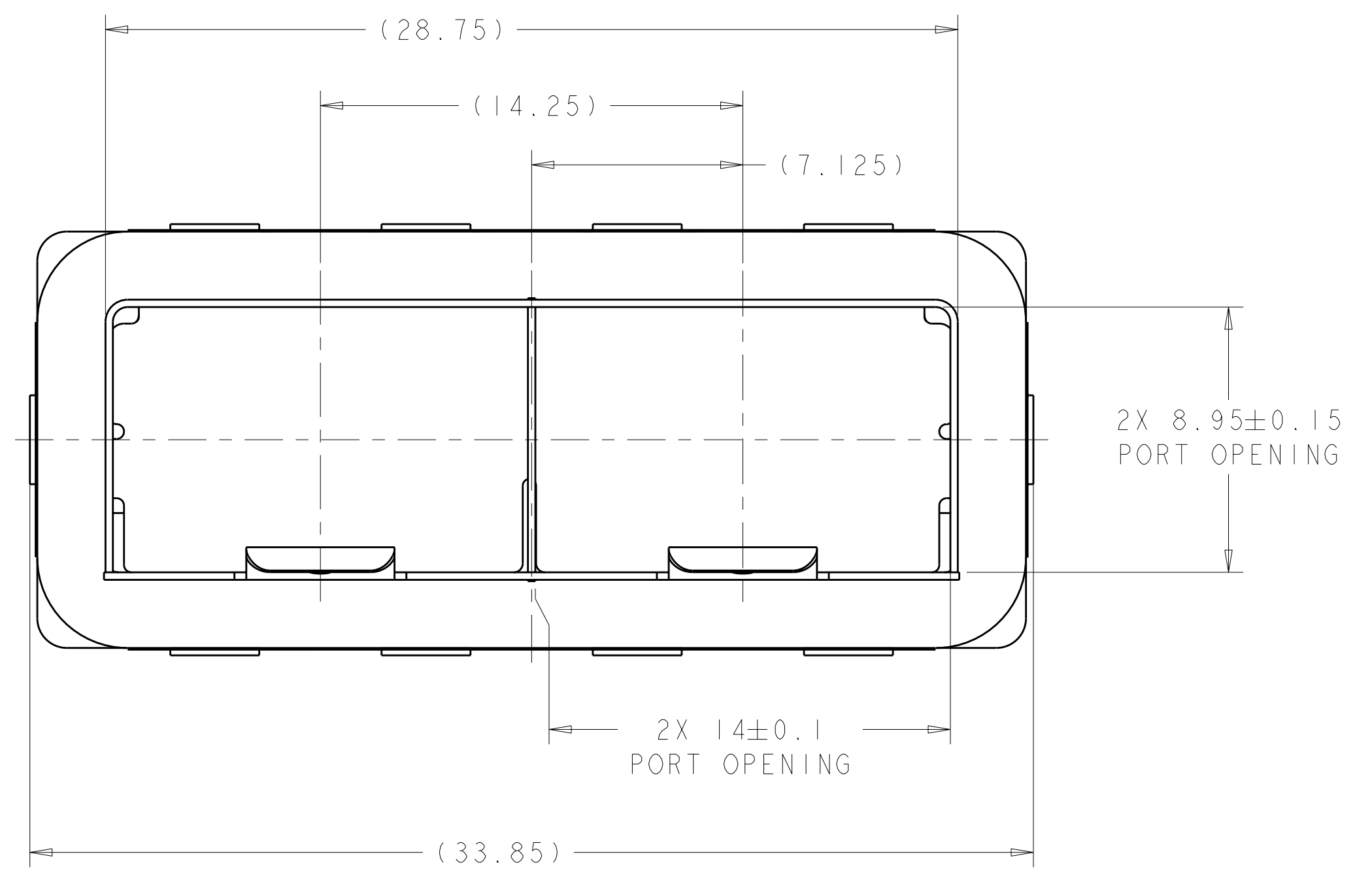


LOC	DIST	REV	DATE	BY	APPD
GP	00	A	11FEB2011	CJV	JTL



- △ MATERIAL:
CAGE ASSEMBLY: NICKEL SILVER ALLOY, 0.25mm THK
GASKET RETENTION PLATE: STAINLESS STEEL
EMI GASKET: PLATED FILLED SILICONE.
- △ DATUM AND BASIC DIMENSIONS ESTABLISHED BY CUSTOMER.
- 3. MATES WITH SFP MSA COMPLIANT RECIEVERS.
- △ PADS AND VIAS CHASSIS GROUND.
- 5. INTERPRETATION OF DATUM REFERENCE FRAME IN ACCORDANCE WITH SECT 4.4.1.1 OR ASME Y14.5M-1994.
- △ MINIMUM PC BOARD THICKNESS:
SINGLE SIDED: 1.45mm
- △ HOLE PATTERN REPEATS FOR EACH PORT, SPACING BETWEEN PORTS IS 14.25mm.
- △ REFERENCE APPLICATION SPEC. 114-13120, HOLE A, FOR RECOMMENDED DRILL HOLE DIAMETER AND PLATING THICKNESS.
- △ REFERENCE APPLICATION SPEC. 114-13120, HOLE B, FOR RECOMMENDED DRILL HOLE DIAMETER AND PLATING THICKNESS.



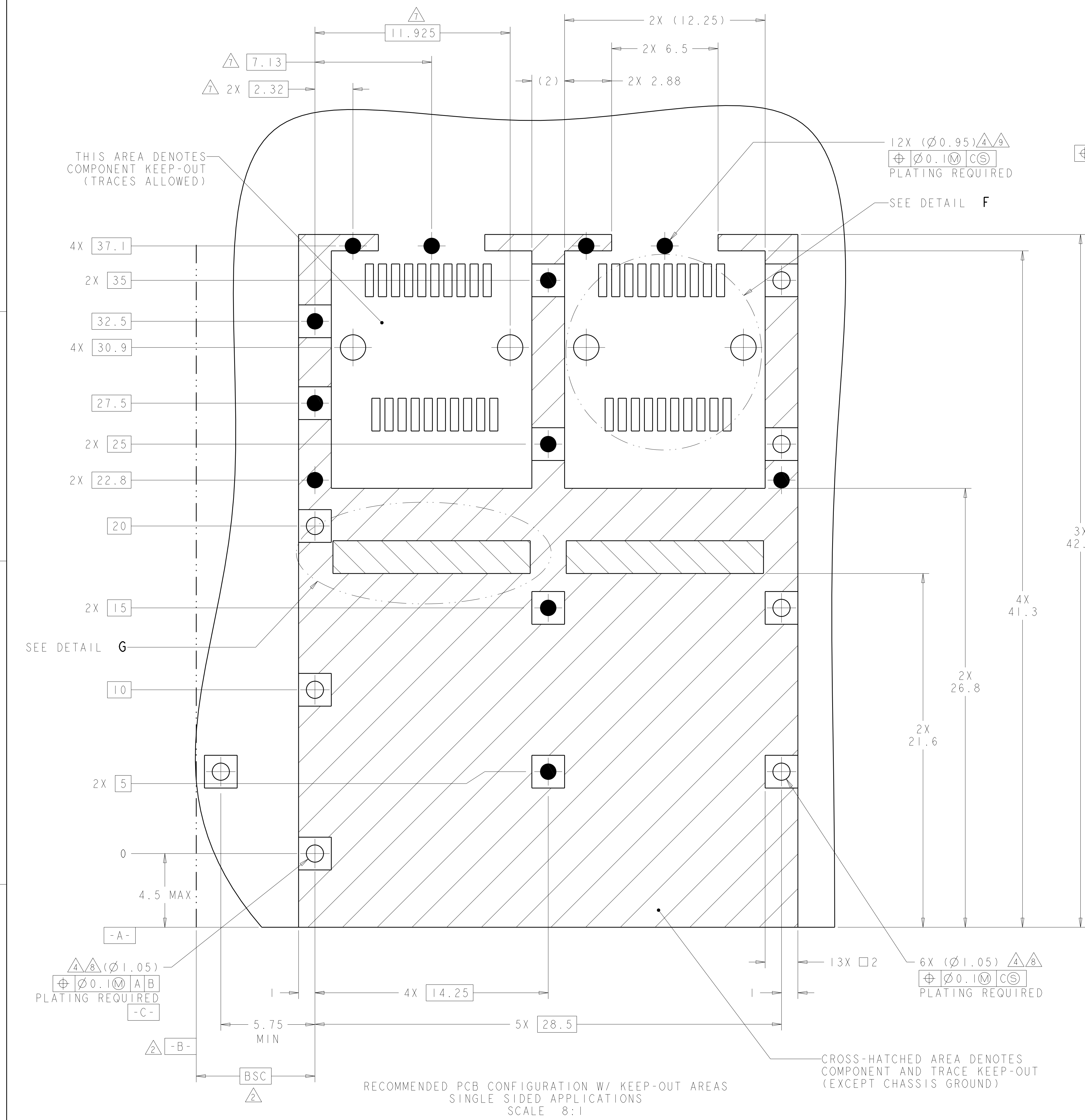
RECOMMENDED BEZEL CUT-OUT
SCALE 4:1

2057555-1
PART
NUMBER

DIMENSIONS: mm 		TOLERANCES UNLESS OTHERWISE SPECIFIED: 9 PLC ±0.13 1 PLC ±0.1 3 PLC ±0.08 4 PLC ±0.05 ANGLES ±1		DWN B. MCMASTER 02OCT08 CHY M. SCHMITT 02OCT08 APVD M. SCHMITT 02OCT08		Tyco Electronics Harrisburg, PA 17105-3608	
MATERIAL 		FINISH -		PRODUCT SPEC 108-2364		NAME SFP+ ENHANCED 1X2 CAGE ASSEMBLY, PRESS-FIT, EMI GASKET	
CUSTOMER DRAWING		WEIGHT -		APPLICATION SPEC 114-13120		SIZE CAGE CODE DRAWING NO A 100779 C-2057555	
SCALE 6:1		SHEET 1 OF 2		REV A		RESTRICTED TO	

LOC	DIST	REV	DATE	BY	APPD
GP	00				

REVISIONS		DATE	BY	APPD
-	SEE SHEET 1	-	-	-



DIMENSIONS:		TOLERANCES UNLESS OTHERWISE SPECIFIED:		DWN B MCMMASTER 02OCT08		Tyco Electronics Harrisburg, PA 17105-3608	
mm	9 PLC ±0.13	1 PLC ±0.1	2 PLC ±0.08	3 PLC ±0.05	4 PLC ±0.05	5 PLC ±0.05	6 PLC ±0.05
	ANGLES ±0.5	FINISH #1		CHK M SCHMITT 02OCT08	APVD M SCHMITT 02OCT08	NAME SFP+ ENHANCED 1X2 CAGE ASSEMBLY, PRESS-FIT, EMI GASKET	
MATERIAL				PRODUCT SPEC 108-2364	APPLICATION SPEC 114-13120	SIZE CAGE CODE DRAWING NO	RESTRICTED TO
				WEIGHT		A 100779 C=2057555	
				CUSTOMER DRAWING	SCALE 6:1	SHEET 2 OF 2	REV A

X-ON Electronics

Largest Supplier of Electrical and Electronic Components

Click to view similar products for [I/O Connectors](#) category:

Click to view products by [TE Connectivity](#) manufacturer:

Other Similar products are found below :

[571763P](#) [58098-0628](#) [72.250.1628.2](#) [72.250.2428.2](#) [74720-0505](#) [76.350.0729.0](#) [76871-1403](#) [FCN-244F080-G/1](#) [FCN-260A9920](#) [PCR-E36PM](#) [PCS-XE26MA+](#) [G38A71314B](#) [1571250010](#) [157-22500-3](#) [MS3471L14-19P L/C](#) [172501-4002](#) [172501-6002](#) [FCN-260C008-A/L0](#) [FCN-260C024-AL0](#) [FCN-261Z008](#) [2000314-1](#) [200331-1](#) [PCR-E36FC+](#) [PCS-E28FS+](#) [PCS-XE26SLFD+](#) [PCS-XE26SLFDT+](#) [G730VID08BDC24](#) [U90B2054081210](#) [38113800006](#) [DP3AR020WQ1R200](#) [Z4.102.0680.0](#) [500-1040](#) [500-1052](#) [500-1054](#) [ZP-4008-66L](#) [0709821002](#) [DX40-20P\(55\)](#) [5554841-1](#) [MS3474W18-8P-LC*](#) [U90B3054061110](#) [U65-E04-4020](#) [ZPF000000000097891](#) [747360449](#) [10099439-003C-TRLF](#) [10137239-0021LF](#) [E9320-001-01](#) [10137239-0011LF](#) [70289-001LF](#) [70.060.1028.0](#) [109029-ZZ](#)