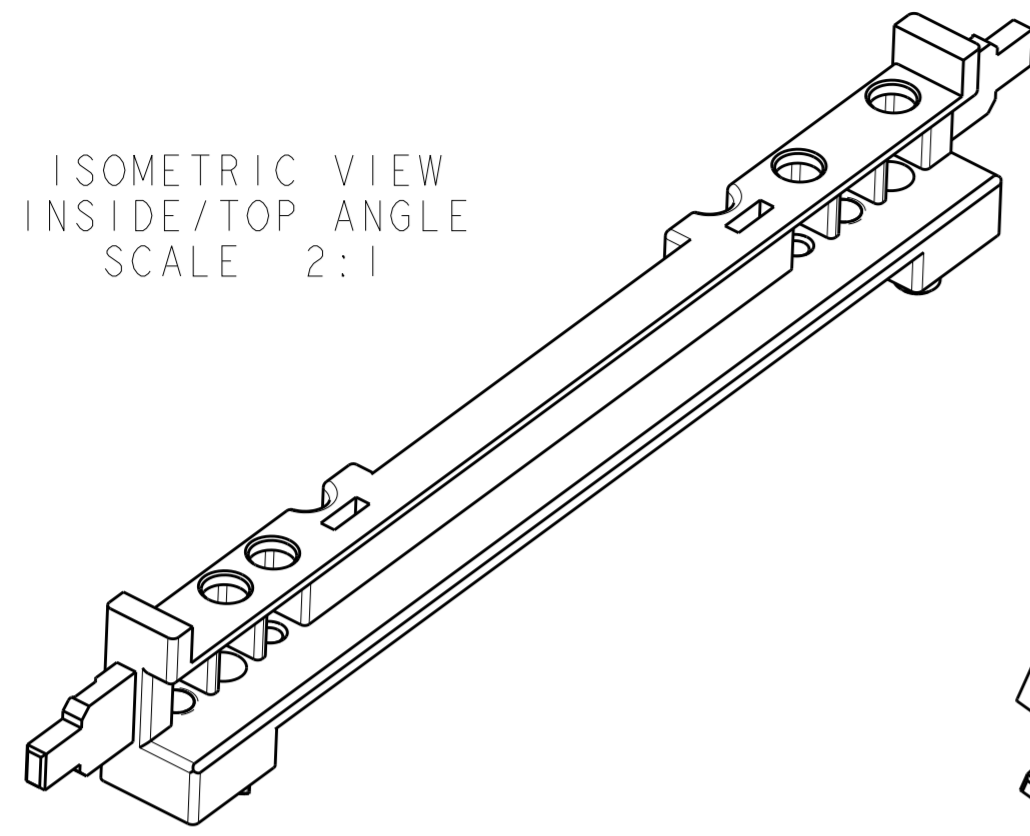


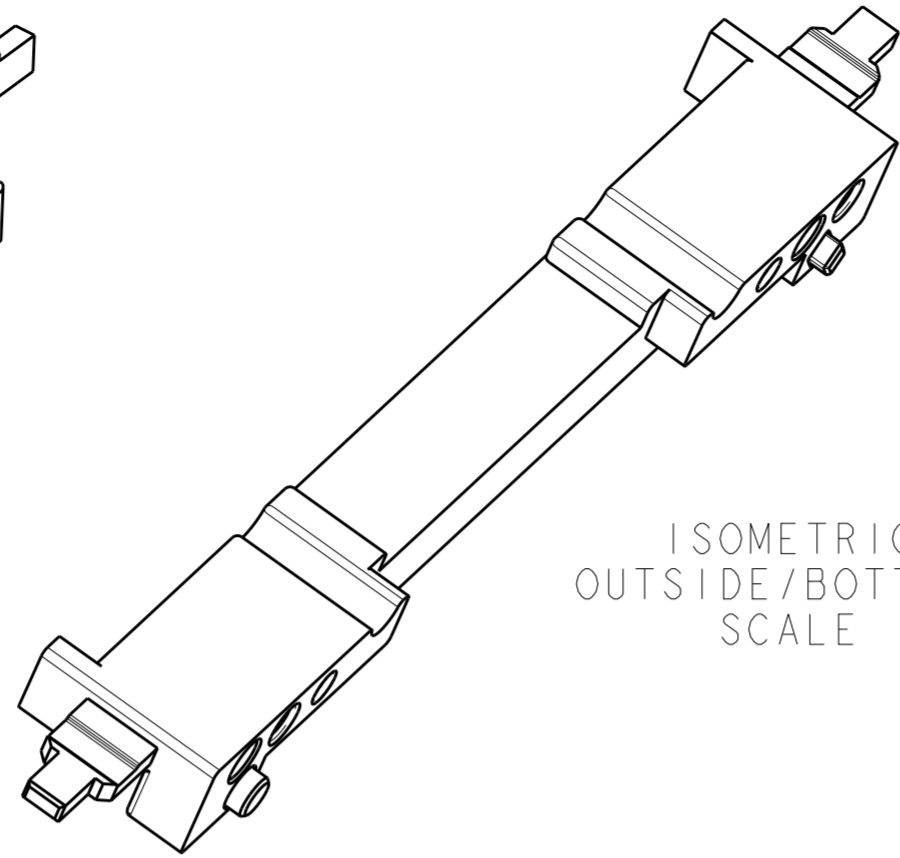
THIS DRAWING IS UNPUBLISHED. RELEASED FOR PUBLICATION 2008
 © COPYRIGHT 2008 BY - ALL RIGHTS RESERVED.

LOC	DIST	REVISIONS					
GP	00	P	LTR	DESCRIPTION	DATE	DWN	APVD
		A		RELEASED PER ECO-12-006362	15MAY2012	CJV	MRS
		AI		ADD NEW DASH -5 IN SHEET2	12NOV2020	AJ	SH

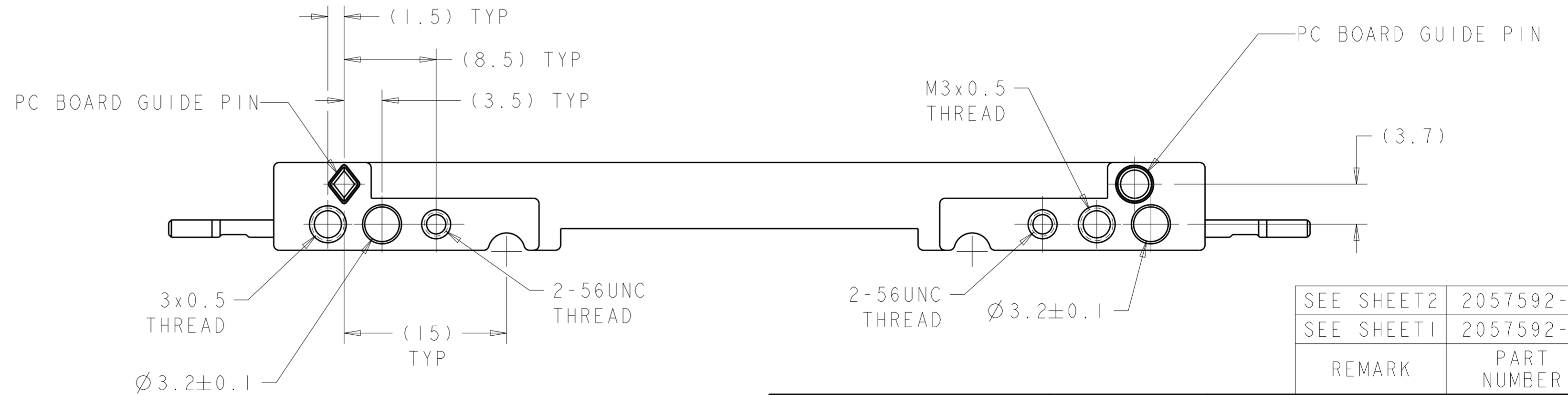
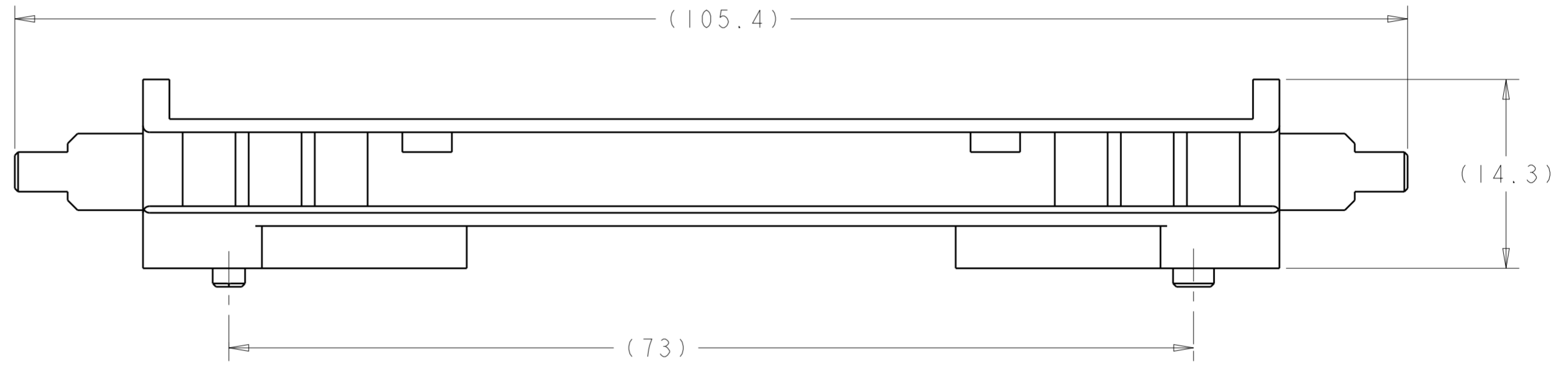
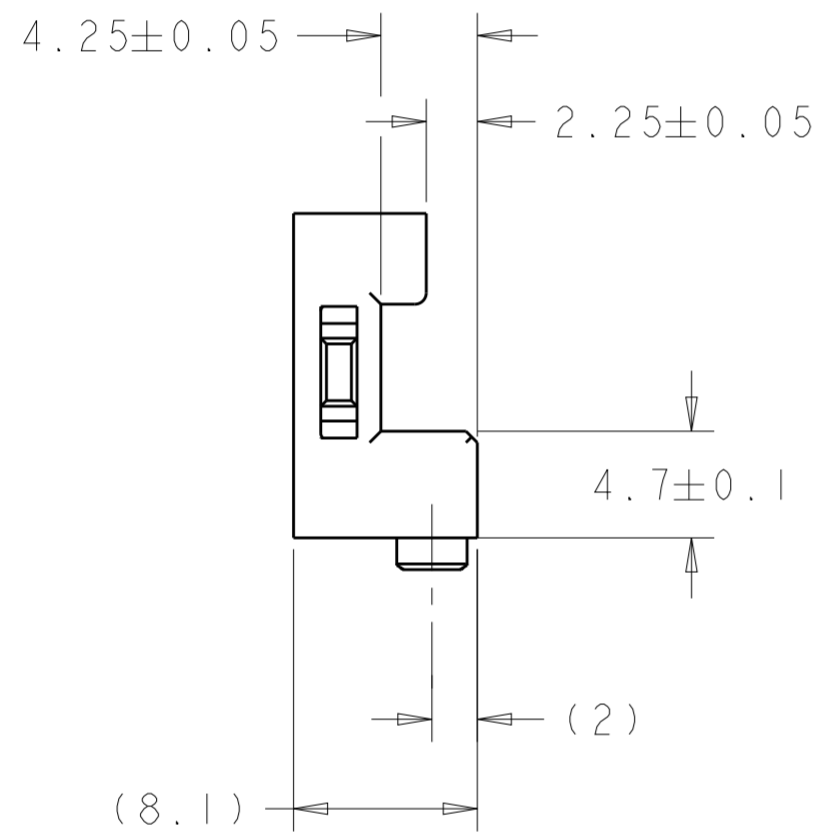
ISOMETRIC VIEW
 INSIDE/TOP ANGLE
 SCALE 2:1



ISOMETRIC VIEW
 OUTSIDE/BOTTOM ANGLE
 SCALE 2:1



- 1 MATERIAL: ZINC ALLOY PER ASTM B 86, AG40A.
- 2 FINISH: 1.27µm MIN NICKEL PLATE PER QQ-N-290
 OVER 5.08µm MIN COPPER PLATE PER AMS 2418.



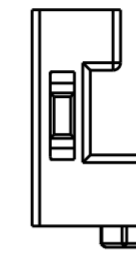
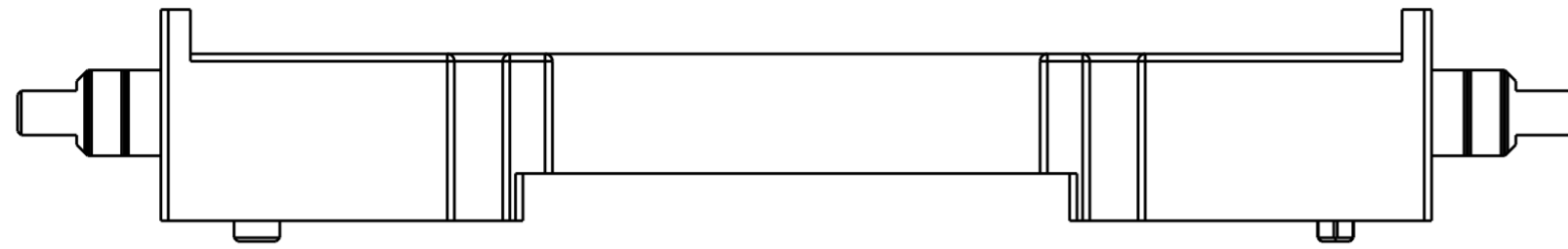
SEE SHEET2	2057592-5
SEE SHEET1	2057592-2
REMARK	PART NUMBER

THIS DRAWING IS A CONTROLLED DOCUMENT. DIMENSIONING AND TOLERANCING PER ASME Y14.5M-2009		DWN C. VALENTINE 11NOV2008	STE TE Connectivity	
DIMENSIONS: mm		CHK E. BRIGHT 11NOV2008		
TOLERANCES UNLESS OTHERWISE SPECIFIED:		APVD F. BRIGHT 11NOV2008	NAME GUIDE RAIL, 100 GIG PLUGGABLE	
0 PLC ±	1 PLC ±	PRODUCT SPEC 108-2399	SIZE CAGE CODE DRAWING NO RESTRICTED TO	
2 PLC ±	3 PLC ±	APPLICATION SPEC 114-13263	A200779 C-2057592	
4 PLC ±	ANGLES ±	WEIGHT -	SCALE 3:1 SHEET 1 OF 2 REV AI	
MATERIAL 1	FINISH 2	CUSTOMER DRAWING		

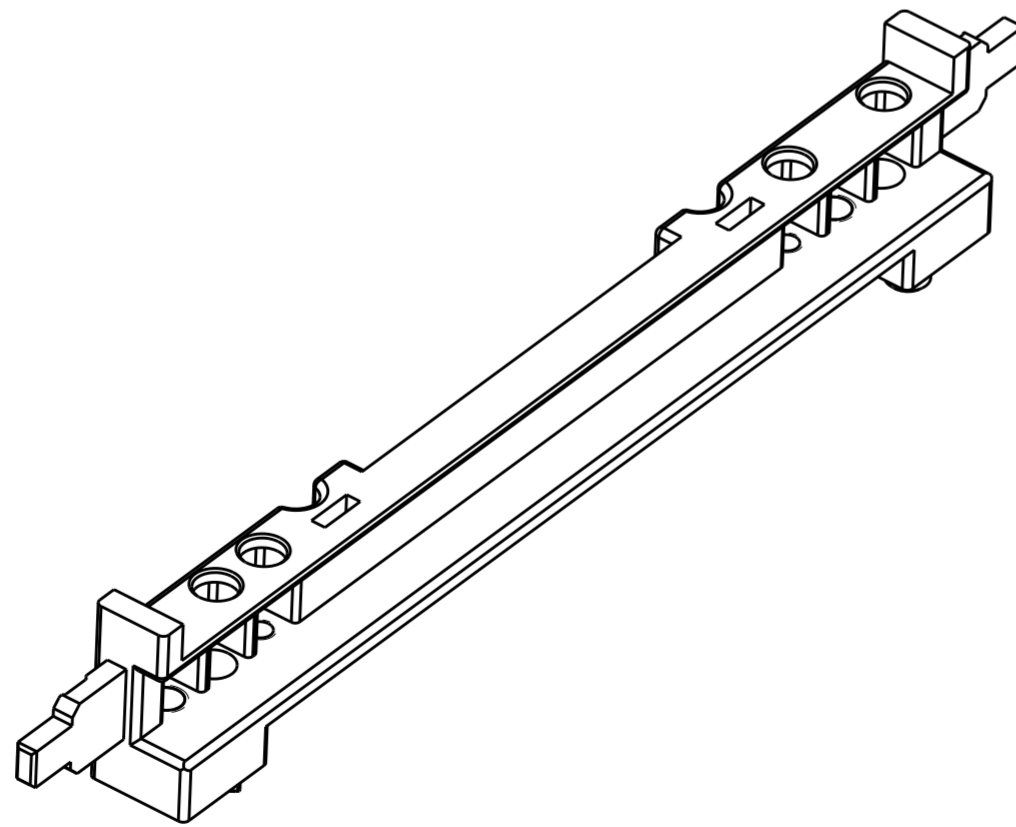
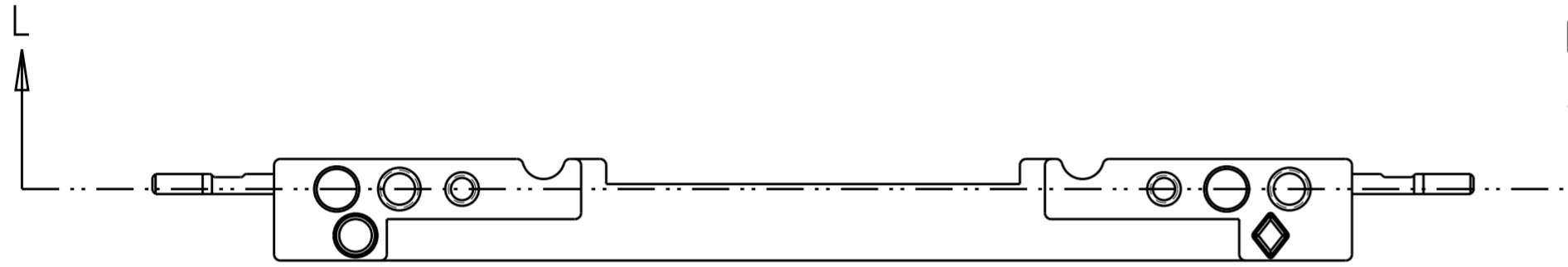
THIS DRAWING IS UNPUBLISHED. RELEASED FOR PUBLICATION 2008
 © COPYRIGHT 2008 BY - ALL RIGHTS RESERVED.

LOC	DIST	REVISIONS					
GP	00	P	LTR	DESCRIPTION	DATE	DWN	APVD
		-		SEE SHEET 1	-	-	-

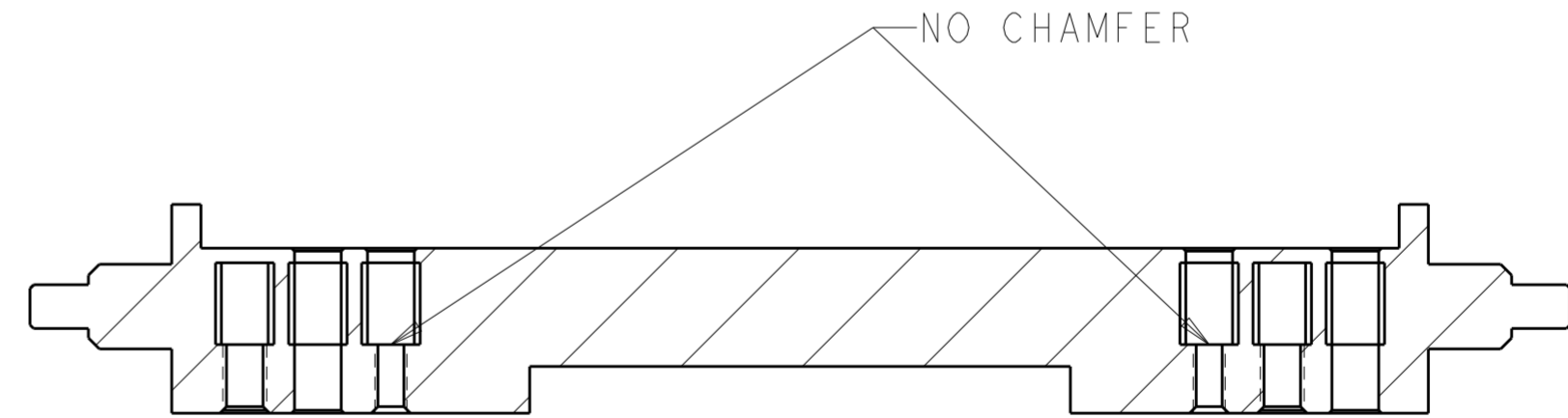
2057592-5 SHOWN IN THIS SHEET
 SAME AS -2 EXCEPT REMOVE CHAMFER AROUND SCREW HOLES



SCALE 2:1



2057592-5
 SCALE 2:1



SECTION L-L
 SCALE 2:1

THIS DRAWING IS A CONTROLLED DOCUMENT.		DWN C. VALENTINE 11NOV2008	STE TE Connectivity	
		CHK E. BRIGHT 11NOV2008		
DIMENSIONS: mm		APVD E. BRIGHT 11NOV2008	NAME GUIDE RAIL, 100 GIG PLUGGABLE	
TOLERANCES UNLESS OTHERWISE SPECIFIED: 0 PLC ± 1 PLC ± 2 PLC ± 3 PLC ± 4 PLC ± ANGLES ± FINISH		PRODUCT SPEC 108-2399	SIZE -	
MATERIAL		APPLICATION SPEC 114-13263	CAGE CODE A200779	DRAWING NO C-2057592
		WEIGHT -	RESTRICTED TO	
		CUSTOMER DRAWING	SCALE 3:1	SHEET 2 OF 2 REV A1

X-ON Electronics

Largest Supplier of Electrical and Electronic Components

Click to view similar products for [I/O Connectors](#) category:

Click to view products by [TE Connectivity](#) manufacturer:

Other Similar products are found below :

[571763P](#) [58098-0628](#) [72.250.1628.2](#) [72.250.2428.2](#) [74720-0505](#) [76.350.0729.0](#) [76871-1403](#) [FCN-244F080-G/1](#) [FCN-260A9920](#) [PCR-E36PM](#) [PCS-XE26MA+](#) [G38A71314B](#) [1571250010](#) [157-22500-3](#) [MS3471L14-19P L/C](#) [172501-4002](#) [172501-6002](#) [FCN-260C008-A/L0](#) [FCN-260C024-AL0](#) [FCN-261Z008](#) [2000314-1](#) [200331-1](#) [PCR-E36FC+](#) [PCS-E28FS+](#) [PCS-XE26SLFD+](#) [PCS-XE26SLFDT+](#) [G730VID08BDC24](#) [U90B2054081210](#) [38113800006](#) [DP3AR020WQ1R200](#) [Z4.102.0680.0](#) [500-1040](#) [500-1052](#) [500-1054](#) [ZP-4008-66L](#) [0709821002](#) [DX40-20P\(55\)](#) [5554841-1](#) [MS3474W18-8P-LC*](#) [U90B3054061110](#) [U65-E04-4020](#) [ZPF000000000097891](#) [747360449](#) [10099439-003C-TRLF](#) [10137239-0021LF](#) [E9320-001-01](#) [10137239-0011LF](#) [70289-001LF](#) [70.060.1028.0](#) [109029-ZZ](#)