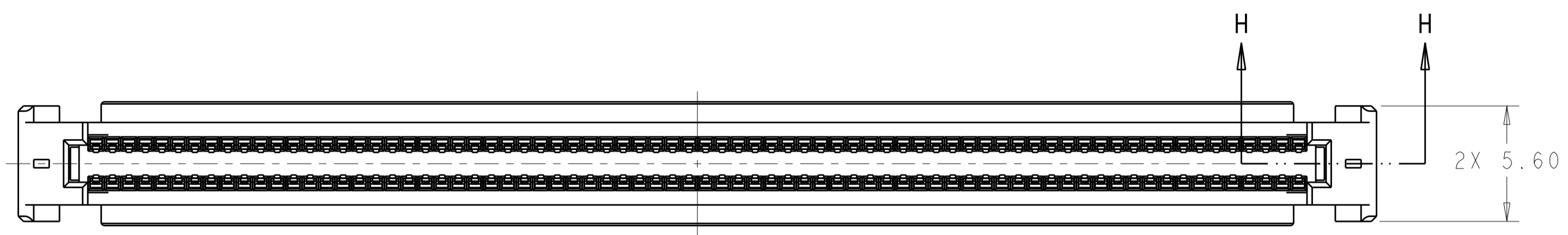
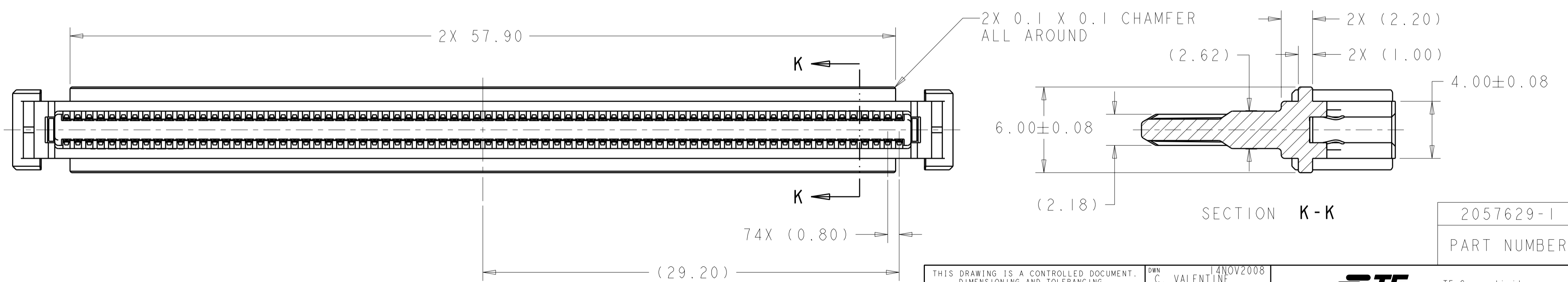
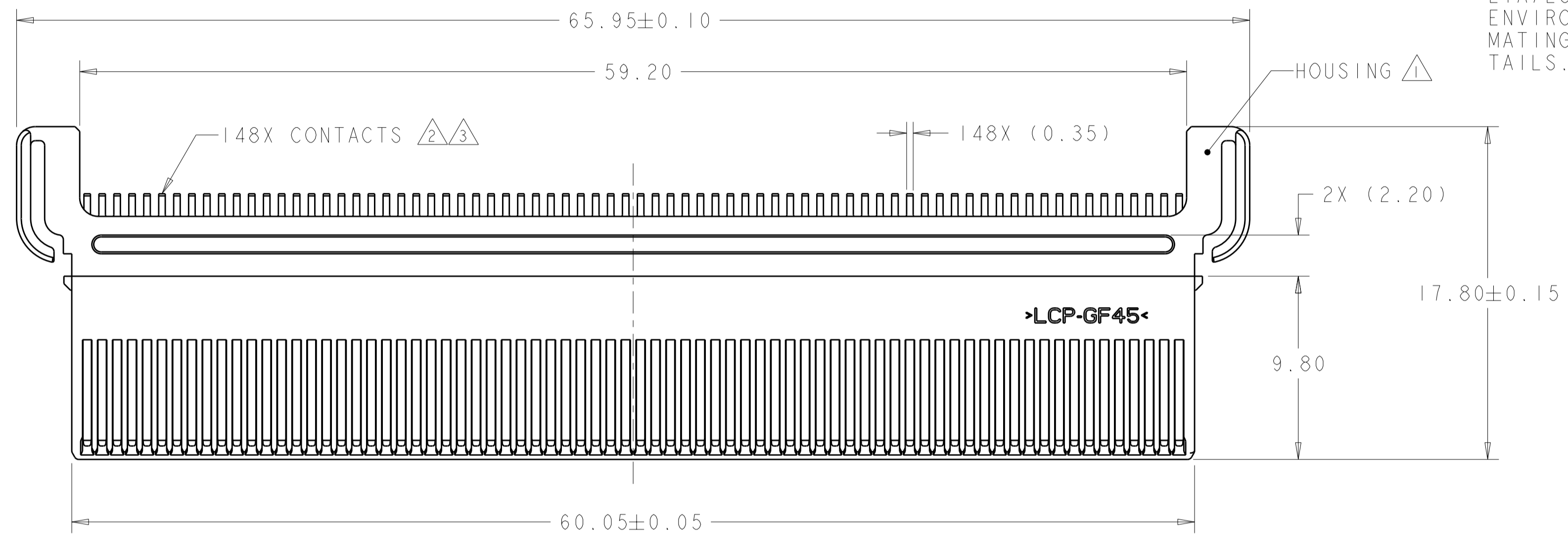


THIS DRAWING IS UNPUBLISHED. RELEASED FOR PUBLICATION 2008
 © COPYRIGHT 2008 BY - ALL RIGHTS RESERVED.

LOC	DIST	REVISIONS					
GP	00	P	LTR	DESCRIPTION	DATE	DWN	APVD
		A		RELEASED PER ECO-12-006362	11MAY2012	CJV	MRS



- ① HOUSING MATERIAL: POLYESTER LCP.
- ② CONTACT MATERIAL: COPPER ALLOY.
- ③ CONTACT FINISH: CONFORMS TO THE REQUIREMENTS OF TE CONNECTIVITY PRODUCT SPECIFICATION 108-2399. BASED ON EIA/ECA-364-1000.01A, (CONTROLLED ENVIRONMENT APPLICATIONS) ON MATING END, TIN PLATED ON SOLDER TAILS.

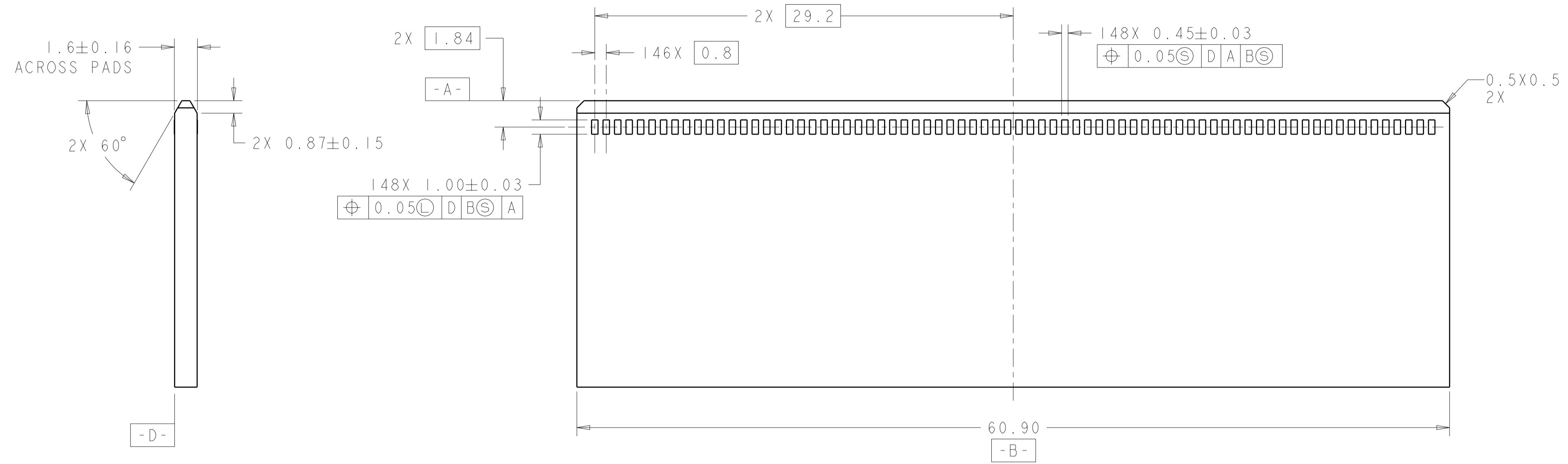


2057629-1
 PART NUMBER

THIS DRAWING IS A CONTROLLED DOCUMENT. DIMENSIONING AND TOLERANCING PER ASME Y14.5M-2009		DWN C. VALENTINE 14NOV2008	TE Connectivity NAME CONNECTOR ASSEMBLY, MODULE, 100 GIG PLUGGABLE	
DIMENSIONS: mm		CHK E. BRIGHT 14NOV2008		
TOLERANCES UNLESS OTHERWISE SPECIFIED:		APVD E. BRIGHT 14NOV2008	PRODUCT SPEC 108-2399	
0 PLC ±		APPLICATION SPEC 114-13262		SIZE A2
1 PLC ±		WEIGHT -		CAGE CODE 200779
2 PLC ±0.10		CUSTOMER DRAWING		DRAWING NO 2057629
3 PLC ±		SCALE 5:1		RESTRICTED TO -
4 PLC ±		SHEET 1 OF 2		REV A
ANGLES ±				
FINISH ±				

THIS DRAWING IS UNPUBLISHED. RELEASED FOR PUBLICATION 2008
 © COPYRIGHT 2008 BY - ALL RIGHTS RESERVED.

LOC	DIST	REVISIONS			
P	LTR	DESCRIPTION	DATE	DWN	APVD
GP	00	-	SEE SHEET 1	-	-

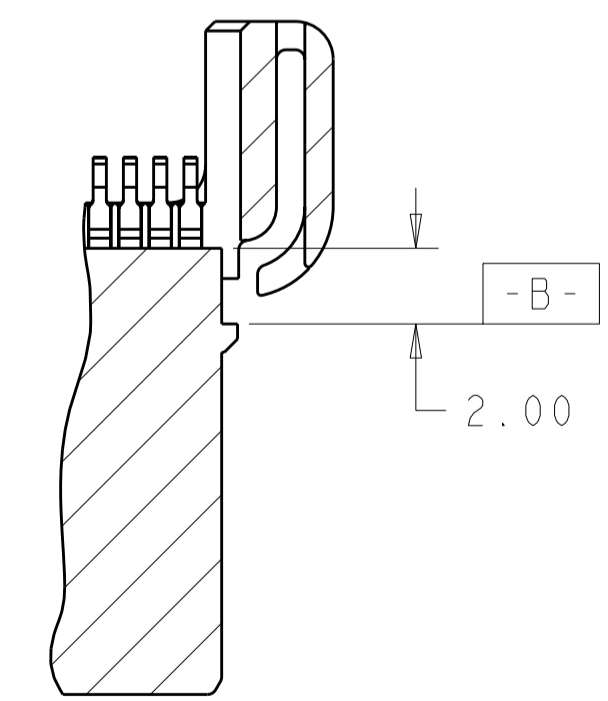


-D-

-A-

-B-

REQUIRED MODULE PC BOARD DIMENSIONS



SECTION H-H

-B-

THIS DRAWING IS A CONTROLLED DOCUMENT. DIMENSIONING AND TOLERANCING PER ASME Y14.5M-2009		DWN C. VALENTINE 14NOV2008	TE Connectivity NAME CONNECTOR ASSEMBLY, MODULE, 100 GIG PLUGGABLE	
DIMENSIONS: mm		CHK E. BRIGHT 14NOV2008		
TOLERANCES UNLESS OTHERWISE SPECIFIED:		APVD E. BRIGHT 14NOV2008	PRODUCT SPEC	
0 PLC ±		108-2399		SIZE
1 PLC ±		APPLICATION SPEC		CAGE CODE
2 PLC ±0.10		114-13262		DRAWING NO
3 PLC ±		WEIGHT		RESTRICTED TO
4 PLC ±		-		A200779C-2057629
ANGLES ±		CUSTOMER DRAWING		SCALE 5:1
FINISH		-		SHEET 2 OF 2
				REV A

X-ON Electronics

Largest Supplier of Electrical and Electronic Components

Click to view similar products for [I/O Connectors](#) category:

Click to view products by [TE Connectivity](#) manufacturer:

Other Similar products are found below :

[571763P](#) [58098-0628](#) [72.250.1628.2](#) [72.250.2428.2](#) [74720-0505](#) [76.350.0729.0](#) [76871-1403](#) [FCN-244F080-G/1](#) [FCN-260A9920](#) [PCR-E36PM](#) [PCS-XE26MA+](#) [G38A71314B](#) [1571250010](#) [157-22500-3](#) [MS3471L14-19P L/C](#) [172501-4002](#) [172501-6002](#) [FCN-260C008-A/L0](#) [FCN-260C024-AL0](#) [FCN-261Z008](#) [2000314-1](#) [200331-1](#) [PCR-E36FC+](#) [PCS-E28FS+](#) [PCS-XE26SLFD+](#) [PCS-XE26SLFDT+](#) [G730VID08BDC24](#) [U90B2054081210](#) [38113800006](#) [DP3AR020WQ1R200](#) [Z4.102.0680.0](#) [500-1040](#) [500-1052](#) [500-1054](#) [ZP-4008-66L](#) [0709821002](#) [DX40-20P\(55\)](#) [5554841-1](#) [MS3474W18-8P-LC*](#) [U90B3054061110](#) [U65-E04-4020](#) [ZPF000000000097891](#) [747360449](#) [10099439-003C-TRLF](#) [10137239-0021LF](#) [E9320-001-01](#) [10137239-0011LF](#) [70289-001LF](#) [70.060.1028.0](#) [109029-ZZ](#)