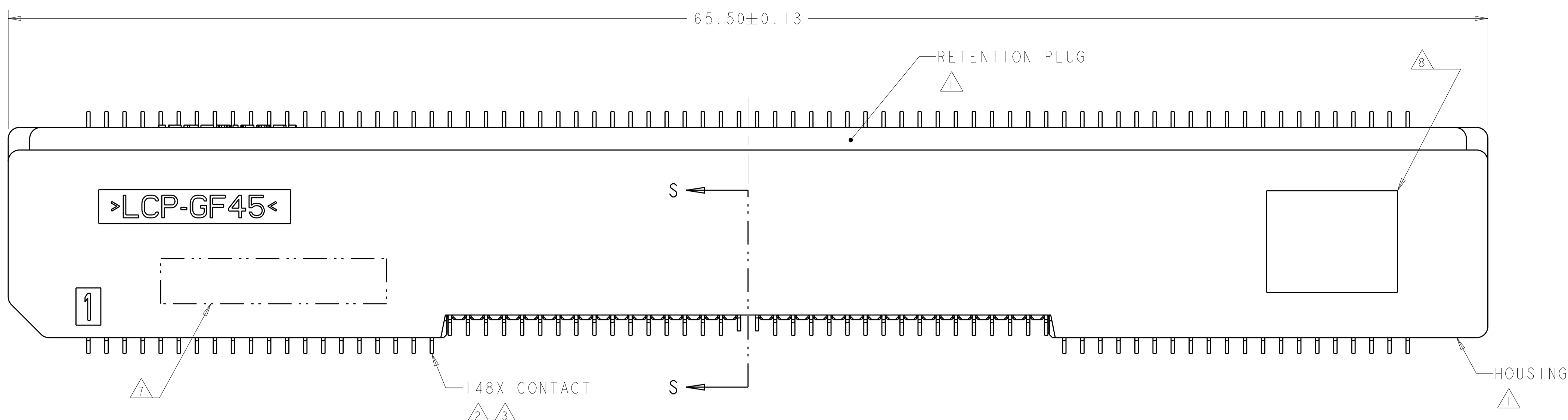
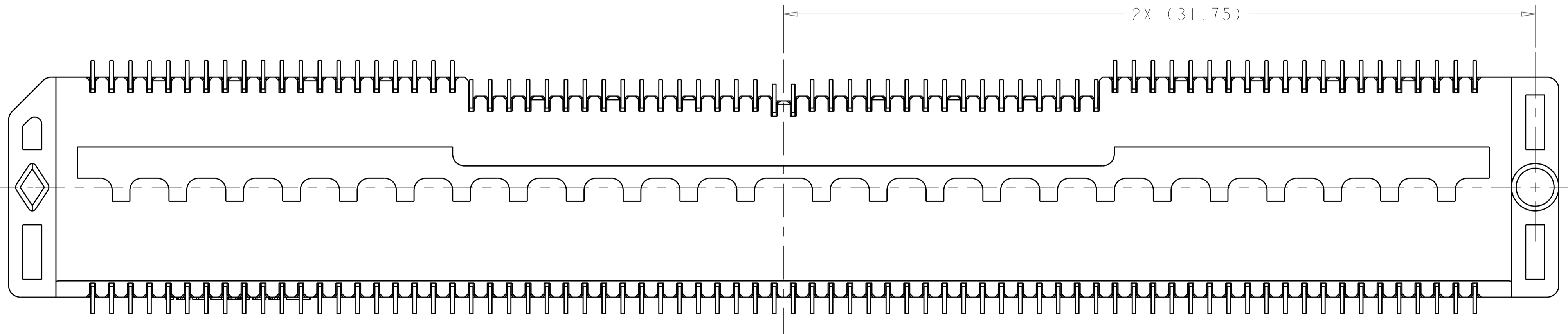
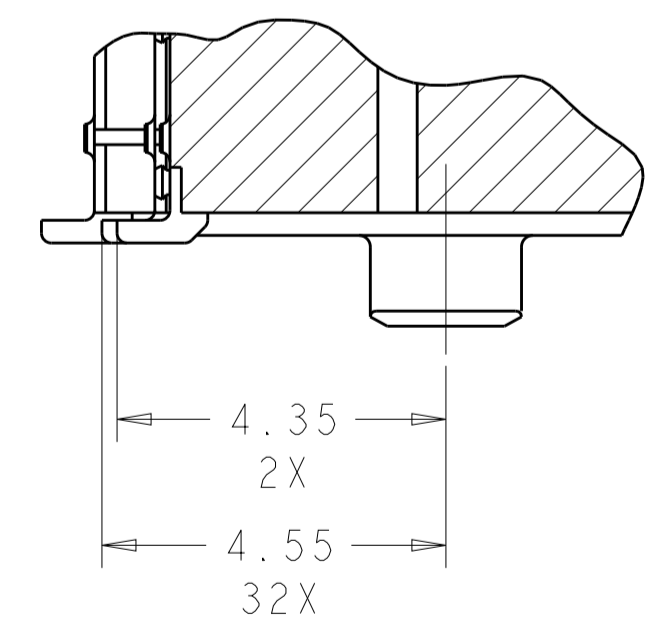
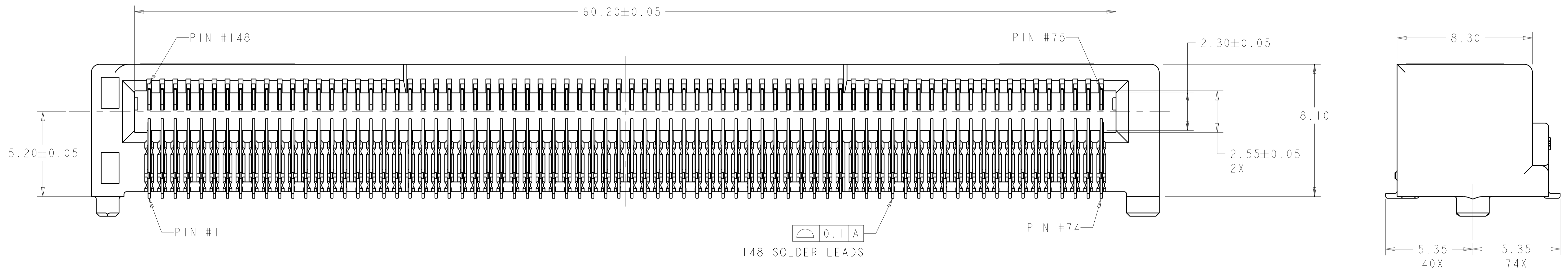


LOC	DIST	REVISIONS					
		P	LTN	DESCRIPTION	DATE	DWN	APVD
GP	00	A		RELEASED PER ECO-12-006362	11MAY2012	CJV	MRS
		A1		RELEASED PER ECO-15-016093	09NOV2015	PP	SH



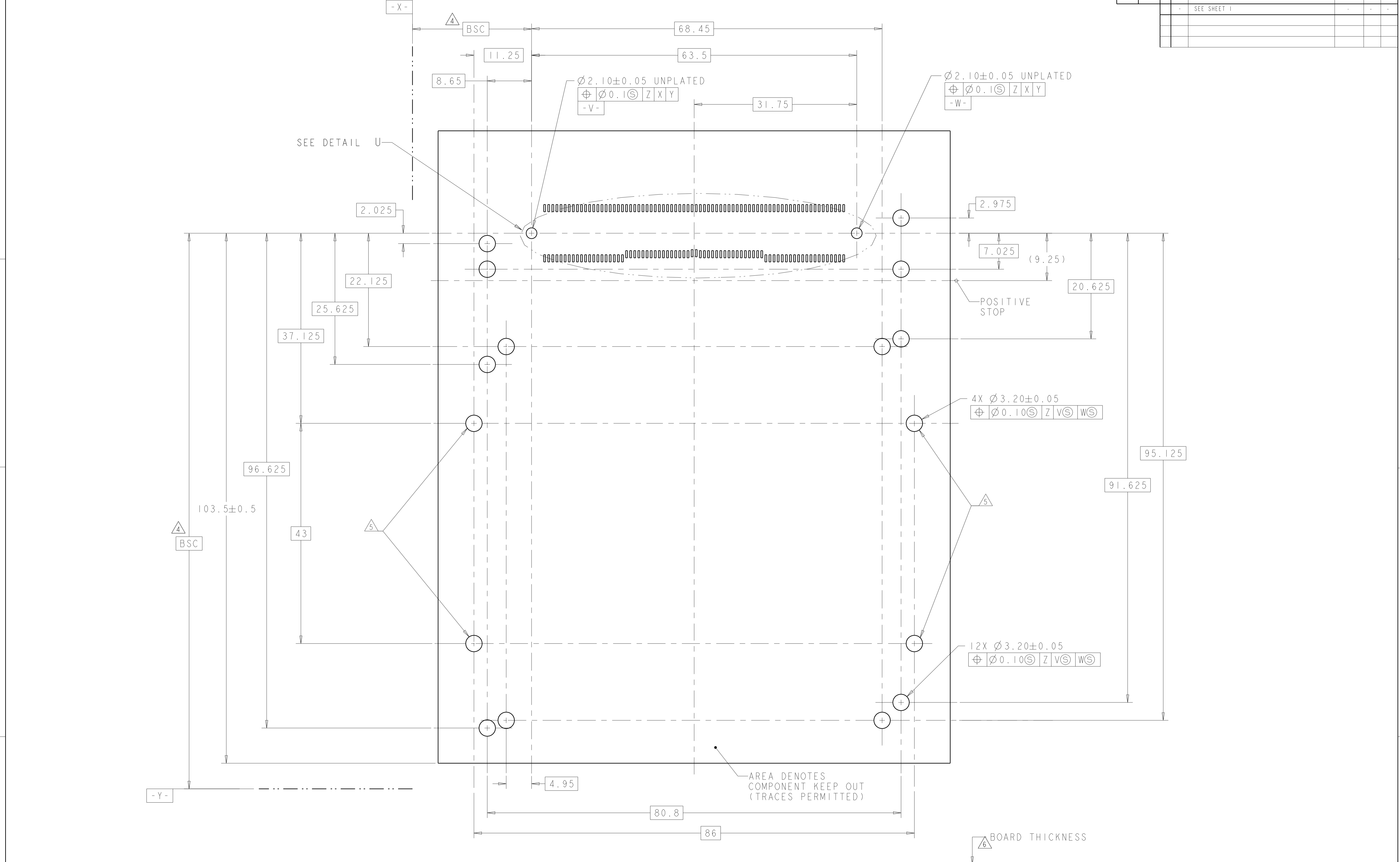
- ① HOUSING AND RETENTION PLUG MATERIAL: POLYESTER LCP.
- ② CONTACT MATERIAL: COPPER ALLOY.
- ③ CONTACT FINISH: CONFORMS TO THE REQUIREMENTS OF TE CONNECTIVITY PRODUCT SPECIFICATION 108-2399. BASED ON EIA/ECA-364-1000.01A, (CONTROLLED ENVIRONMENT APPLICATIONS) ON MATING END, GOLD FLASH ON SOLDER TAILS.
- ④ DATUMS AND BASIC DIMENSIONS ARE TO BE ESTABLISHED BY CUSTOMERS FIDUCIALS.
- ⑤ OPTIONAL HOLES FOR M3x0.5 SCREW/STANDOFFS.
- ⑥ BELLY TO BELLY PCB THICKNESS: 3.40 ± 0.40 mm.
- ⑦ PART NUMBER AND DATE CODE MARKED IN APPROXIMATE AREA SHOWN.
- ⑧ MANUFACTURER'S LOGO APPROXIMATELY AS SHOWN.



TRAY	2057630-2
TAPE REEL	2057630-1
PACKAGE	PART NUMBER

THIS DRAWING IS A CONTROLLED DOCUMENT. DIMENSIONING AND TOLERANCING PER ASME Y14.5M-2009.		DWN: P. KERLIN 08NOV2008	TE Connectivity
DIMENSIONS: mm		CHK: E. BRIGHT 08NOV2008	
TOLERANCES UNLESS OTHERWISE SPECIFIED:		APVD: -	NAME: RECEPTACLE ASSEMBLY, HOST, CFP PLUGGABLE
0 PLC	±	PRODUCT SPEC	SIZE: CAGE CODE DRAWING NO
1 PLC	±0.10	108-2399	RESTRICTED TO
2 PLC	±	APPLICATION SPEC	A100779C=2057630
3 PLC	±	114-13263	SCALE: 8:1 SHEET 1 OF 3 REV: A1
4 PLC	±	WEIGHT	
ANGLES	±	CUSTOMER DRAWING	
MATERIAL: SEE NOTES	FINISH: SEE NOTES		

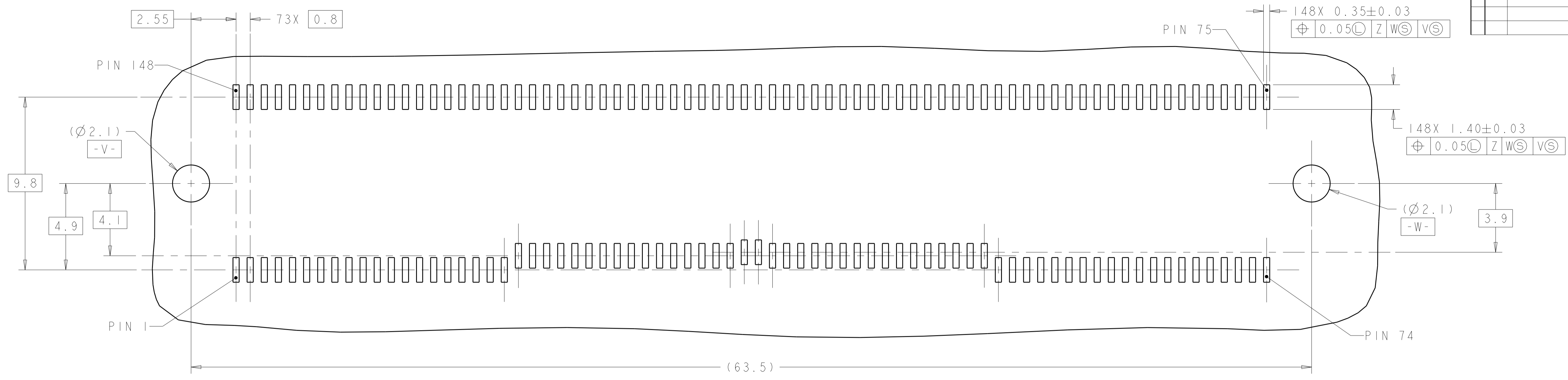
LOC	DIST	REVISIONS			
P	LTN	DESCRIPTION	DATE	DMN	APVD
GP	00	SEE SHEET 1			



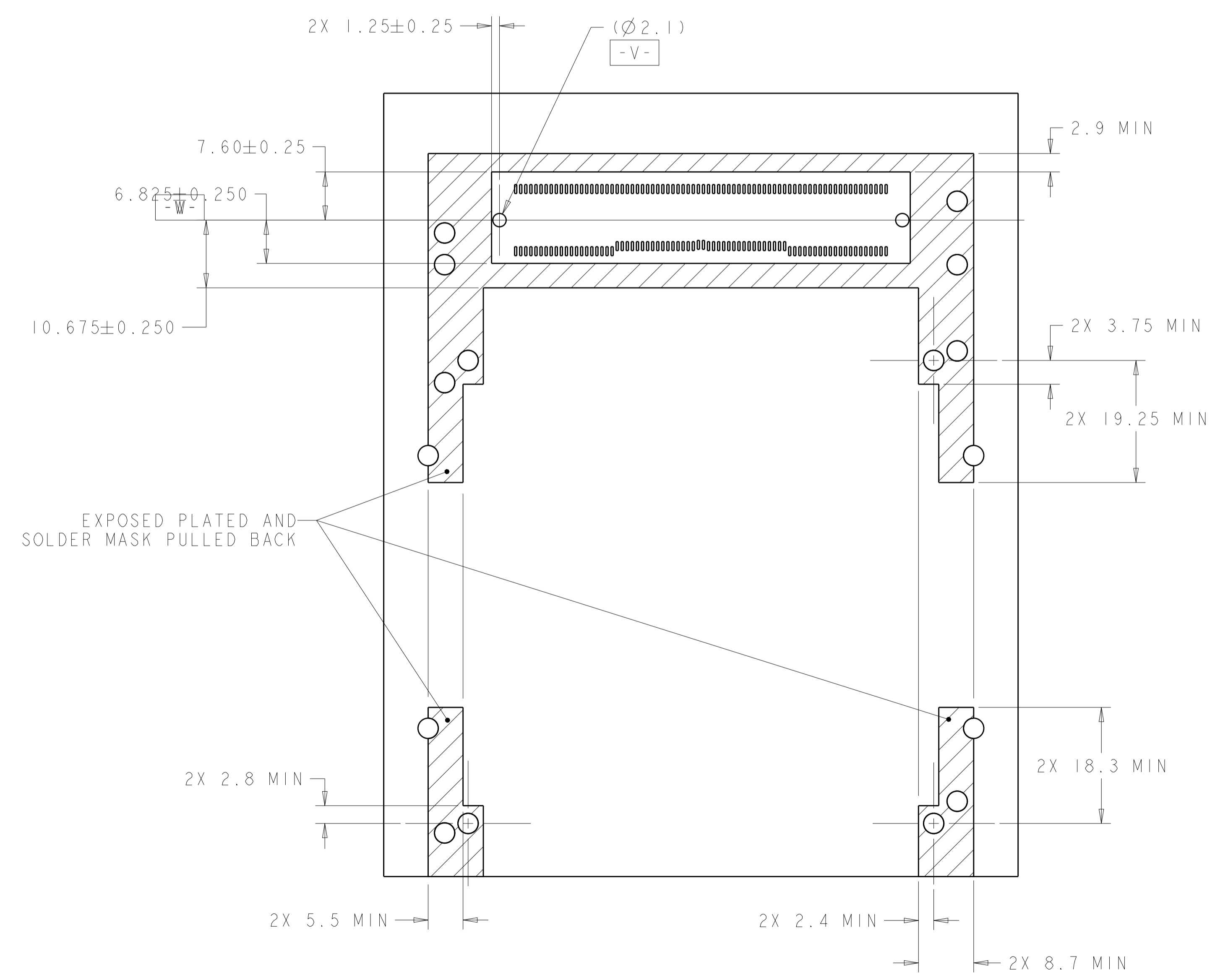
RECOMMENDED PCB LAYOUT FOR SINGLE SIDE MOUNTING
 SCALE 3:1

THIS DRAWING IS A CONTROLLED DOCUMENT. DIMENSIONING AND TOLERANCING PER ASME Y14.5M-2009		DMN P. KERLIN 08NOV2008	TE Connectivity
DIMENSIONS: mm		CHK E. BRIGHT 08NOV2008	
0 PLC ± 1 PLC ±0.10 2 PLC ± 3 PLC ± 4 PLC ± ANGLES ±		APVD	NAME
MATERIAL SEE NOTES		FINISH SEE NOTES	PRODUCT SPEC 108-2399
			APPLICATION SPEC 114-13263
			WEIGHT
			RESTRICTED TO
			SIZE CAGE CODE DRAWING NO. A100779C=2057630
			CUSTOMER DRAWING
			SCALE 8:1 SHEET 2 OF 3 REV A

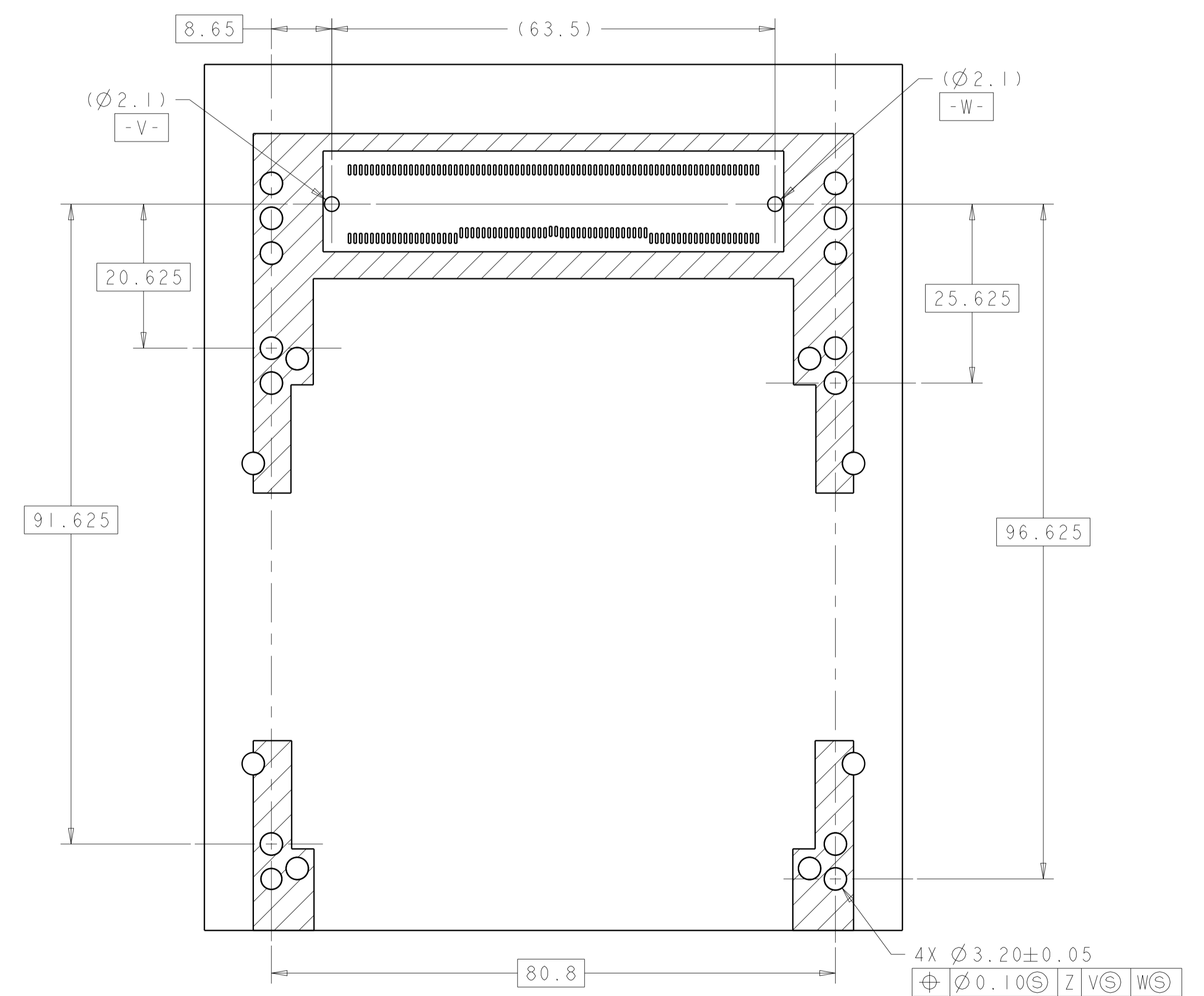
LOC		DIST		REVISIONS			
GP	00	P	LTH	DESCRIPTION	DATE	DWN	APVD
		-		SEE SHEET 1			



DETAIL U
 RECOMMENDED HOST CONNECTOR PCB LAYOUT
 SCALE 8:1



RECOMMENDED COMPONENT AND TRACE KEEPOUT AREA
 SCALE 2:1



RECOMMENDED PCB LAYOUT FOR BELLY TO BELLY MOUNT,
 SAME AS SINGLE SIDE MOUNT EXCEPT AS SHOWN
 SCALE 2:1

THIS DRAWING IS A CONTROLLED DOCUMENT. DIMENSIONING AND TOLERANCING PER ASME Y14.5M-2009.		DWN P. KERLIN 08NOV2008	TE Connectivity RECEPTACLE ASSEMBLY, HOST, CFP PLUGGABLE
DIMENSIONS: mm		CHK E. BRIGHT 08NOV2008	
TOLERANCES UNLESS OTHERWISE SPECIFIED:		APVD	NAME
0 PLC	±	PRODUCT SPEC	108-2399
1 PLC	±0.10	APPLICATION SPEC	114-13263
2 PLC	±	SIZE	A100779
3 PLC	±	WEIGHT	C=2057630
4 PLC	±	CUSTOMER DRAWING	SCALE 8:1 SHEET 3 OF 3 REV A
ANGLES	±		
FINISH	SEE NOTES		

X-ON Electronics

Largest Supplier of Electrical and Electronic Components

Click to view similar products for [I/O Connectors](#) category:

Click to view products by [TE Connectivity](#) manufacturer:

Other Similar products are found below :

[571763P](#) [72.250.1628.2](#) [72.250.2428.2](#) [74720-0505](#) [76.350.0729.0](#) [76871-1403](#) [FCN-244F080-G/1](#) [FCN-260A9920](#) [MP-5T180MUNNA-005](#)
[PCR-E36PM](#) [PCS-XE26MA+](#) [G38A71314B](#) [1571250010](#) [157-22500-3](#) [MS3471L14-19P L/C](#) [91-569786-35H](#) [172501-4002](#) [172501-6002](#)
[FCN-260C008-A/L0](#) [FCN-260C024-AL0](#) [FCN-261Z008](#) [2000314-1](#) [200331-1](#) [PCR-E36FC+](#) [PCS-E28FS+](#) [PCS-XE26SLFD+](#) [PCS-](#)
[XE26SLFDT+](#) [G730VID08BDC24](#) [U90B2054081210](#) [UE86K842720321](#) [38113800006](#) [DP3AR020WQ1R200](#) [Z4.102.0680.0](#) [500-1040](#)
[500-1052](#) [500-1054](#) [ZP-4008-66L](#) [0709821002](#) [10-565995-597N](#) [DX40-20P\(55\)](#) [5554841-1](#) [U90B3054061110](#) [U65-E04-4020](#)
[ZPF00000000097891](#) [557-262M2-06C](#) [747360449](#) [10099439-003C-TRLF](#) [10137239-0021LF](#) [E9320-001-01](#) [10137239-0011LF](#)