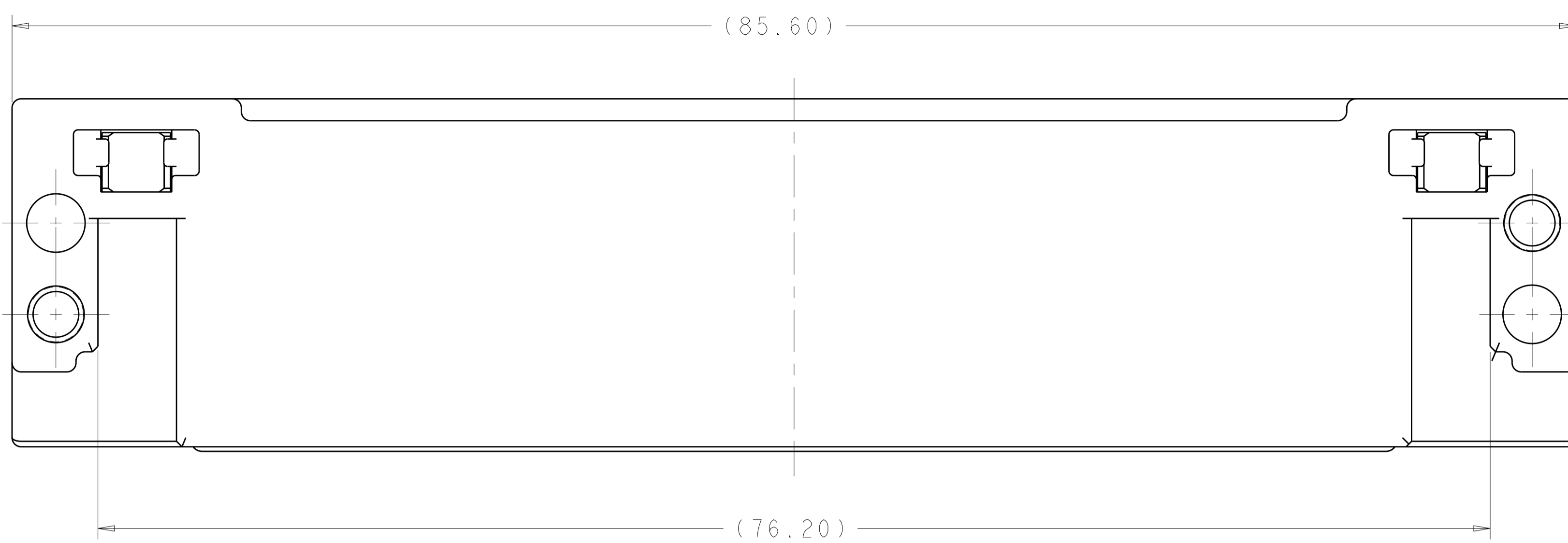
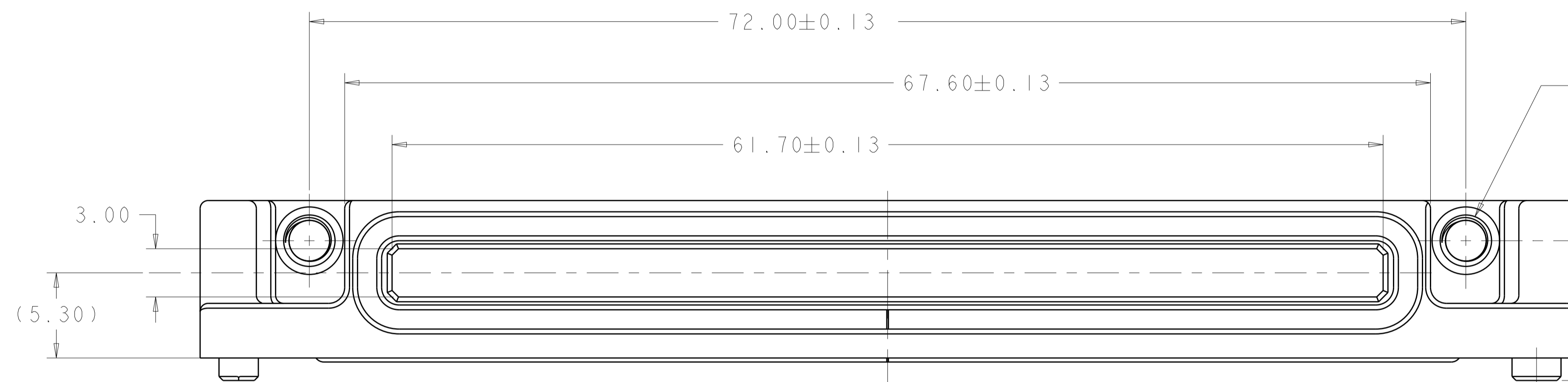


LOC		DIST		REVISIONS			
GP	00	P	LTN	DESCRIPTION	DATE	DWN	APVD
		A		RELEASED PER ECO-12-006362	14MAY2012	CJV	MRS
		B		UPDATED NOTE 3 GASKET DESCRIPTION	31JAN2019	IT	SH



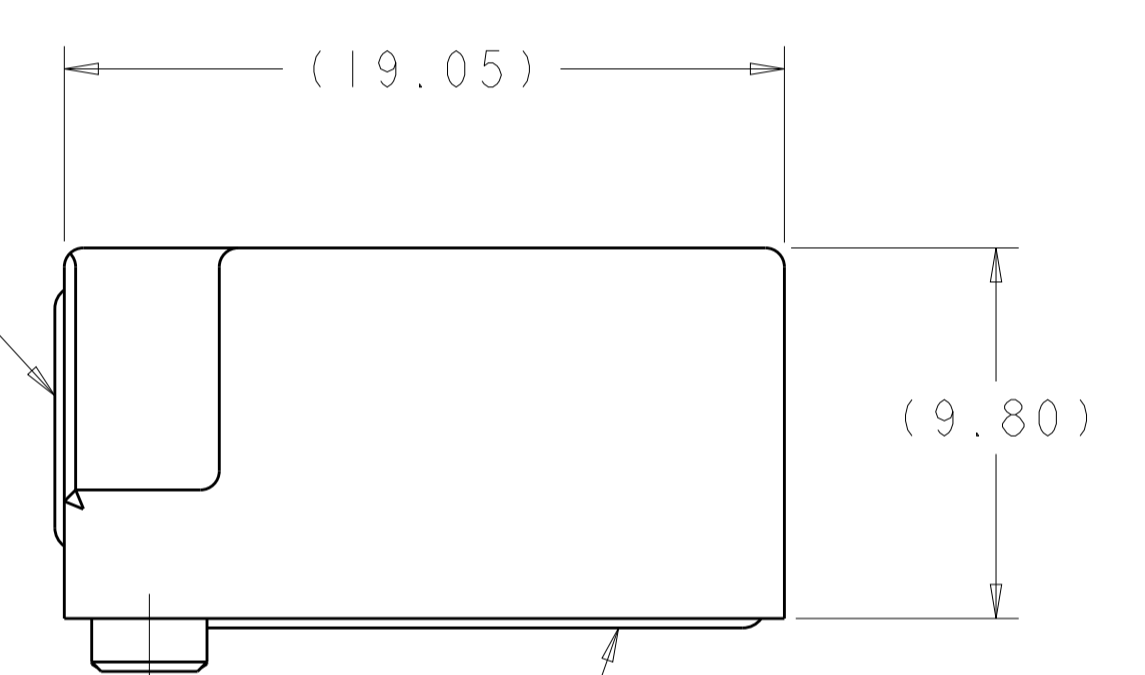
- △ ZINC ALLOY PER ASTM-B-86, ALLOY AG40A.
- △ NICKEL PLATE PER QQ-N-290.
- △ ELASTOMERIC GASKETS MEET TE STANDARDS AND SPECIFICATIONS. SLIGHT COLOR VARIATION ARE NORMAL.
- △ STAINLESS STEEL PER ASTM-A-582, TYPE 303.
- △ ONE-PART SILICONE ADHESIVE.

RECEPTACLE COVER
 △△



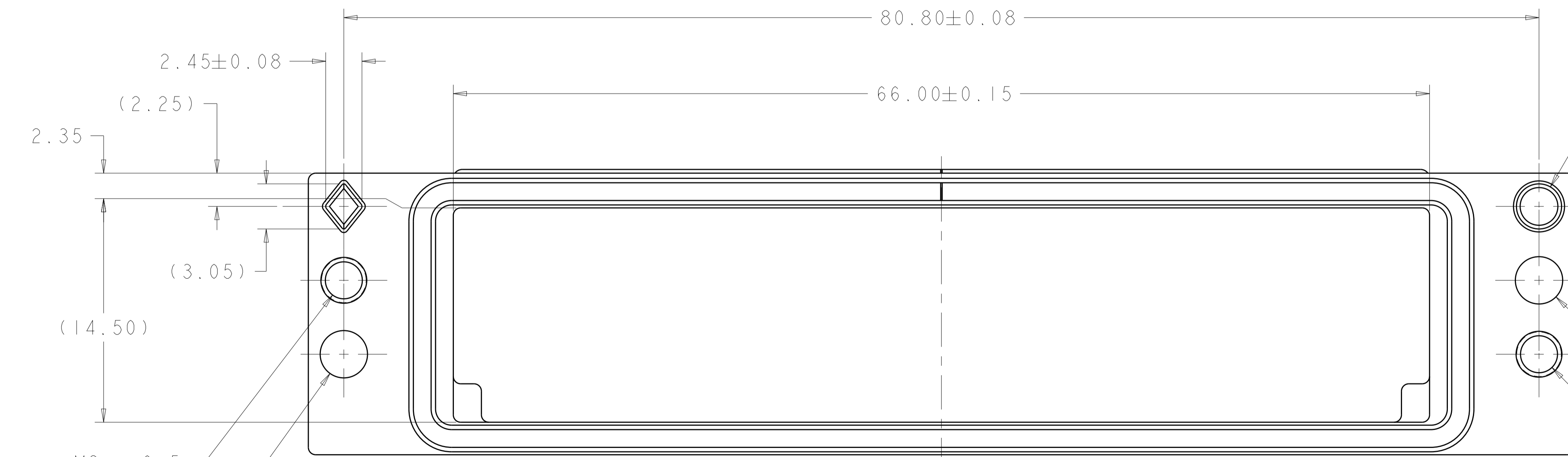
△4
 THREADED INSERT

△△
 INTERFACE GASKET



△ PCB GASKET

2X DIM A



Ø3.05±0.05

(2.25)

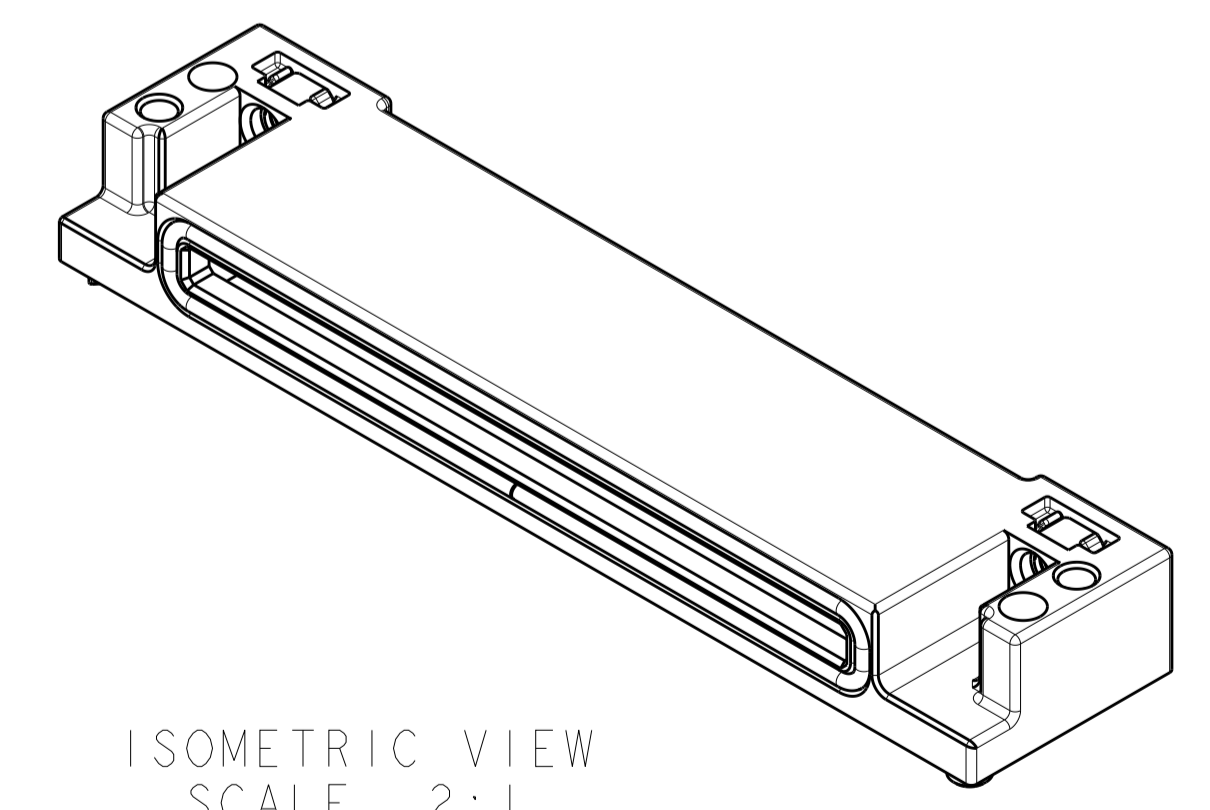
(5.00)
 2X

(10.00)
 2X

(Ø3.20)

M3x0.5
 TAPPED HOLE

M3 x 0.5
 TAPPED HOLE



ISOMETRIC VIEW
 SCALE 2:1

2057631-1
 PART NUMBER

THIS DRAWING IS A CONTROLLED DOCUMENT. DIMENSIONING AND TOLERANCING PER ASME Y14.5M-2009.		DWN P. KERLIN CHK E. BRIGHT	07NOV2008 07NOV2008	TE Connectivity	
DIMENSIONS: mm		APVD		NAME COVER ASSEMBLY, HOST CONNECTOR, 100 GIG, CFP	
TOLERANCES UNLESS OTHERWISE SPECIFIED:		PRODUCT SPEC		SIZE A100779	
0 PLC ±		108-2399		CAGE CODE 2057631	
2 PLC ±0.10		APPLICATION SPEC		RESTRICTED TO	
3 PLC ±		114-13263		SCALE 5:1	
4 PLC ±		WEIGHT		SHEET 1 OF 1	
ANGLES ±		CUSTOMER DRAWING		REV B	
FINISH		SCALE 5:1		REV B	

X-ON Electronics

Largest Supplier of Electrical and Electronic Components

Click to view similar products for [I/O Connectors](#) category:

Click to view products by [TE Connectivity](#) manufacturer:

Other Similar products are found below :

[571763P](#) [58098-0628](#) [72.250.1628.2](#) [72.250.2428.2](#) [74720-0505](#) [76.350.0729.0](#) [76871-1403](#) [FCN-244F080-G/1](#) [FCN-260A9920](#) [PCR-E36PM](#) [PCS-XE26MA+](#) [G38A71314B](#) [DX40-50P\(55\)](#) [1571250010](#) [157-22500-3](#) [MS3471L14-19P L/C](#) [91-569786-35H](#) [172501-4002](#) [172501-6002](#) [FCN-260C008-A/L0](#) [FCN-260C024-AL0](#) [FCN-261Z008](#) [2000314-1](#) [200331-1](#) [PCR-E36FC+](#) [PCS-E28FS+](#) [PCS-XE26SLFD+](#) [PCS-XE26SLFDT+](#) [G730VID08BDC24](#) [U90B2054081210](#) [UE86K842720321](#) [38113800006](#) [DP3AR020WQ1R200](#) [Z4.102.0680.0](#) [500-1040](#) [500-1052](#) [500-1054](#) [ZP-4008-66L](#) [0709821002](#) [10-565995-597N](#) [DX40-20P\(55\)](#) [5554841-1](#) [MS3474W18-8P-LC*](#) [U90B3054061110](#) [U65-E04-4020](#) [ZPF000000000097891](#) [557-262M2-06C](#) [747360449](#) [10099439-003C-TRLF](#) [10137239-0021LF](#)