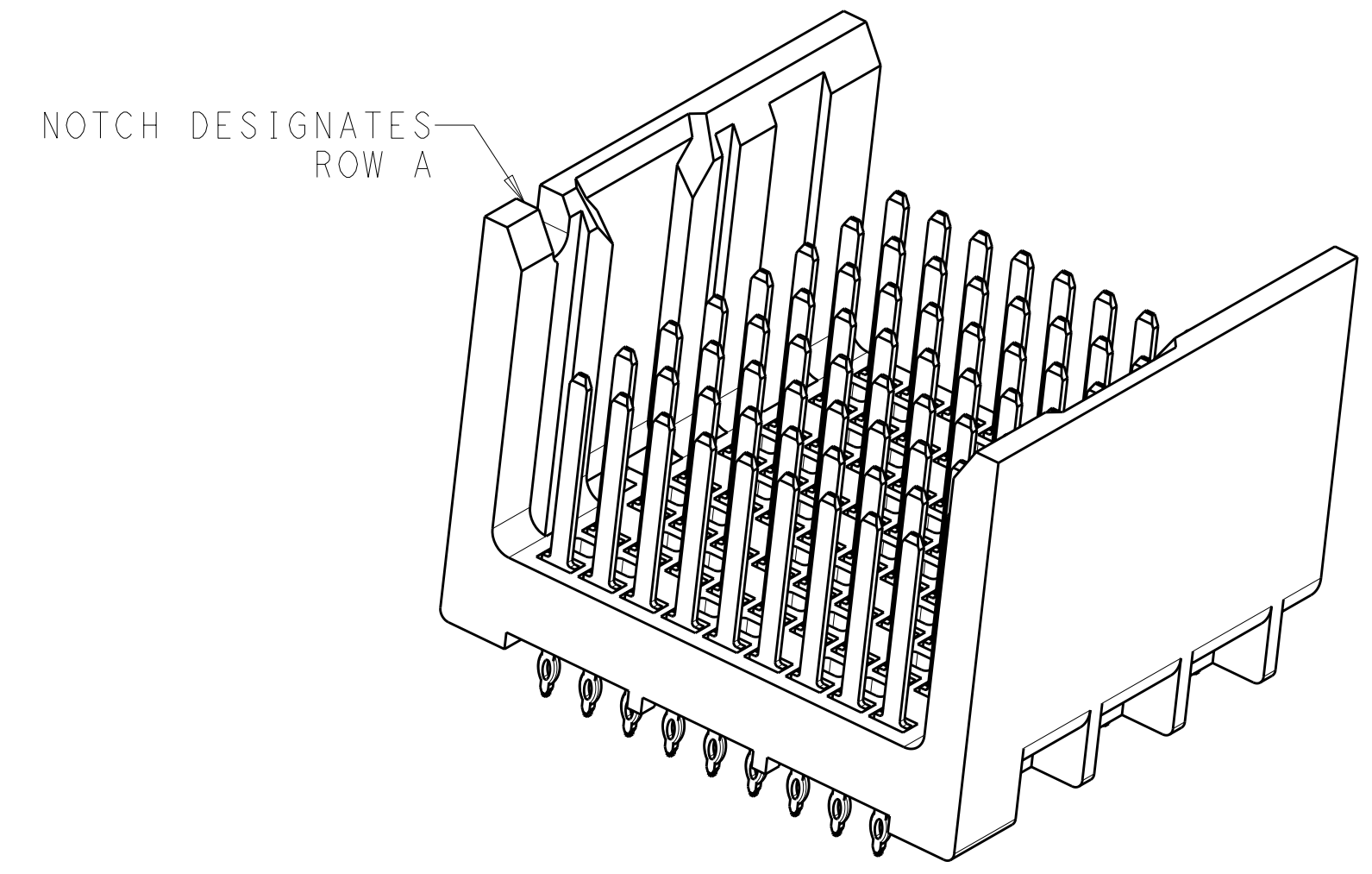
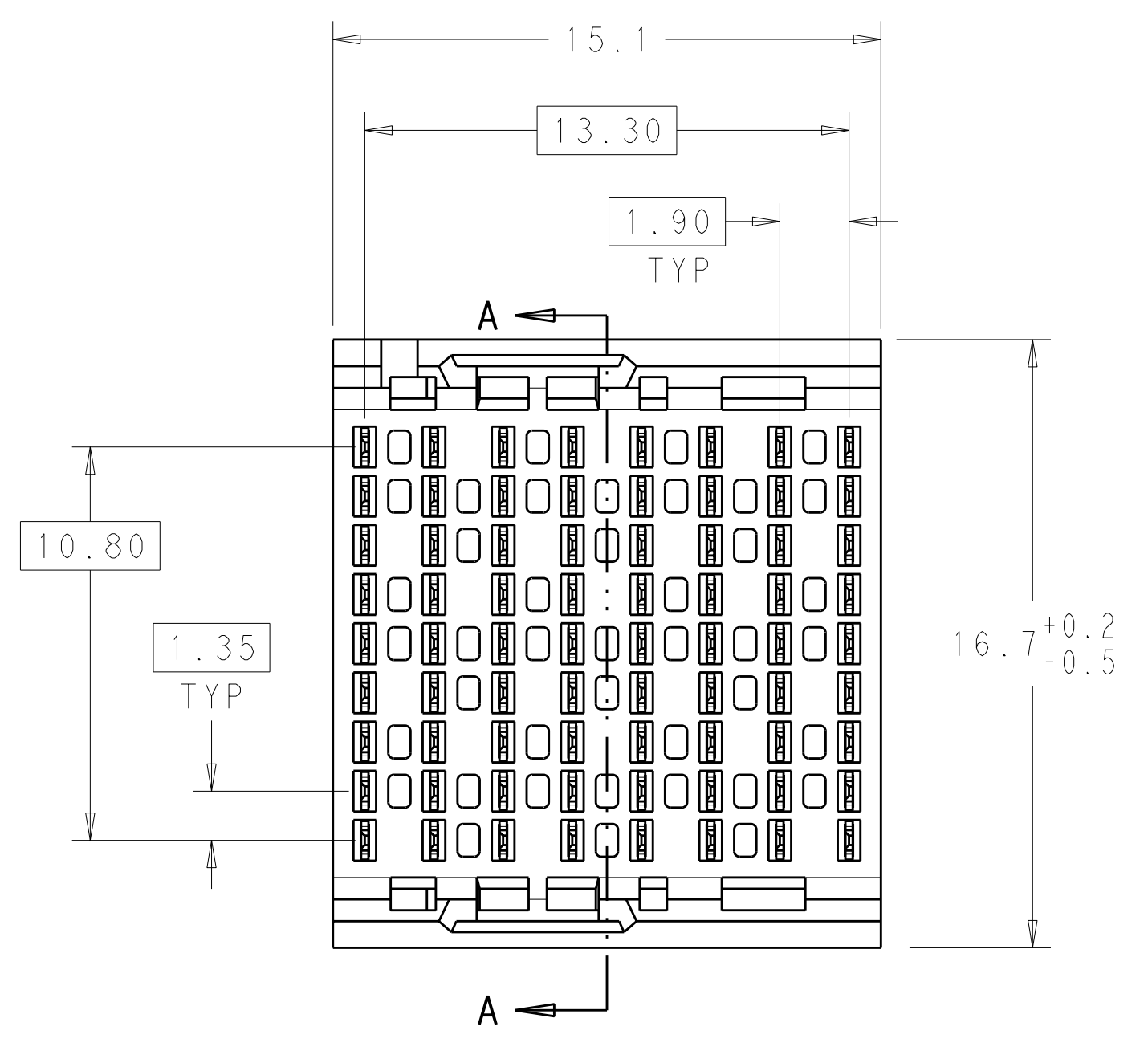
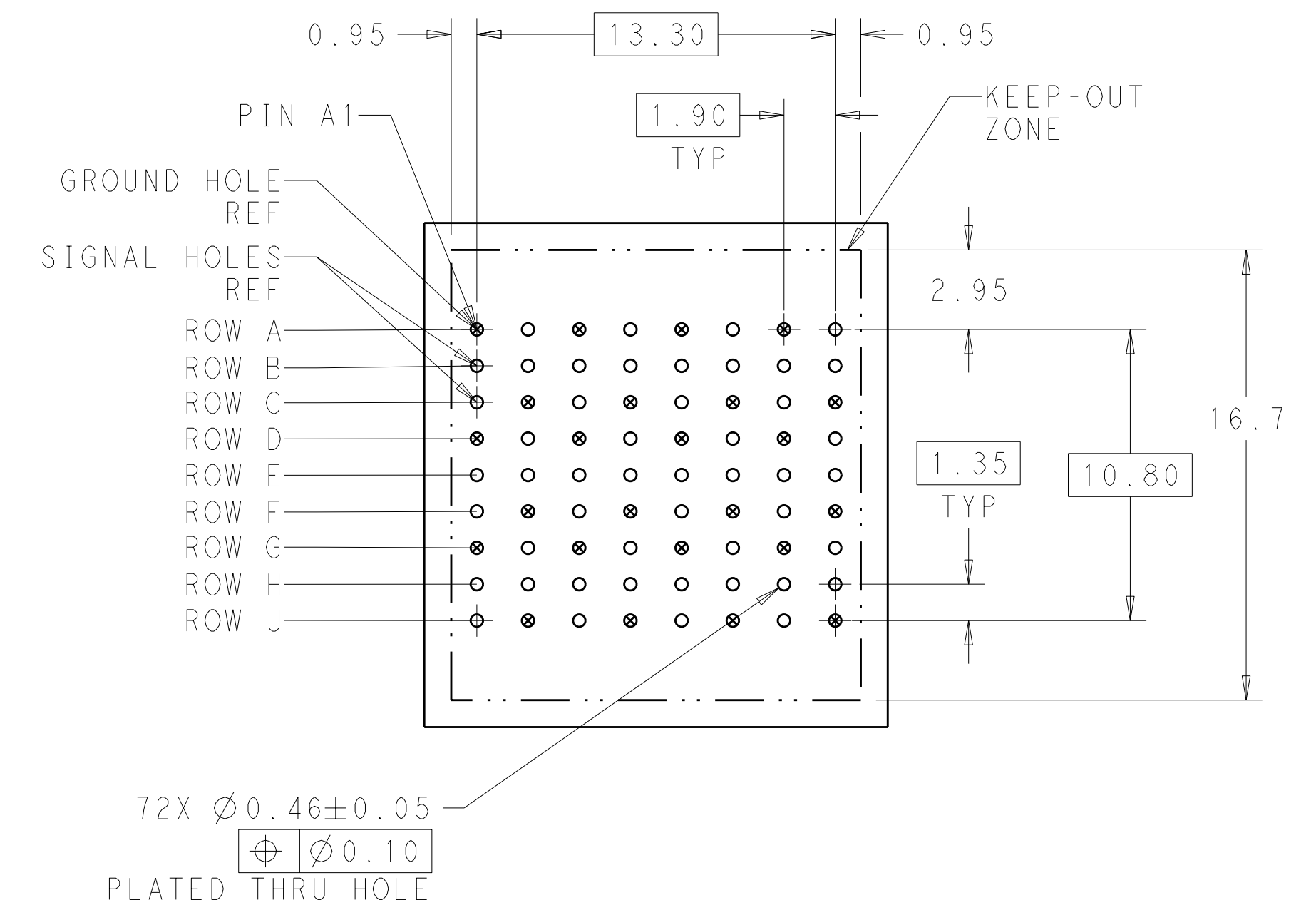


LOC	DIST	REV	DATE	BY	APPD
AD	00	C	05JAN12	KH	DY
		REVISIONS			
		DESCRIPTION	DATE	DWN	APPD
		REVISD PER ECO-11-025276	05JAN12	KH	DY

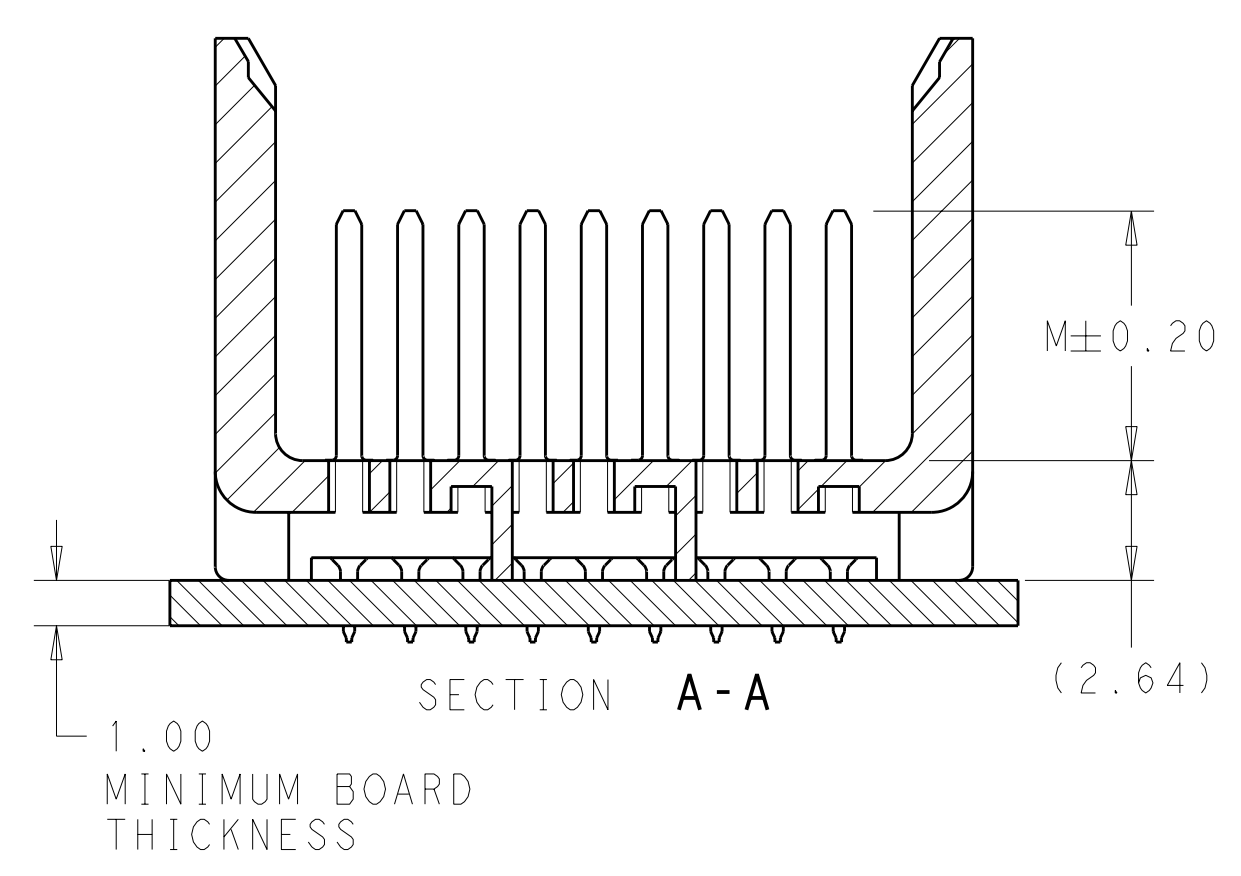
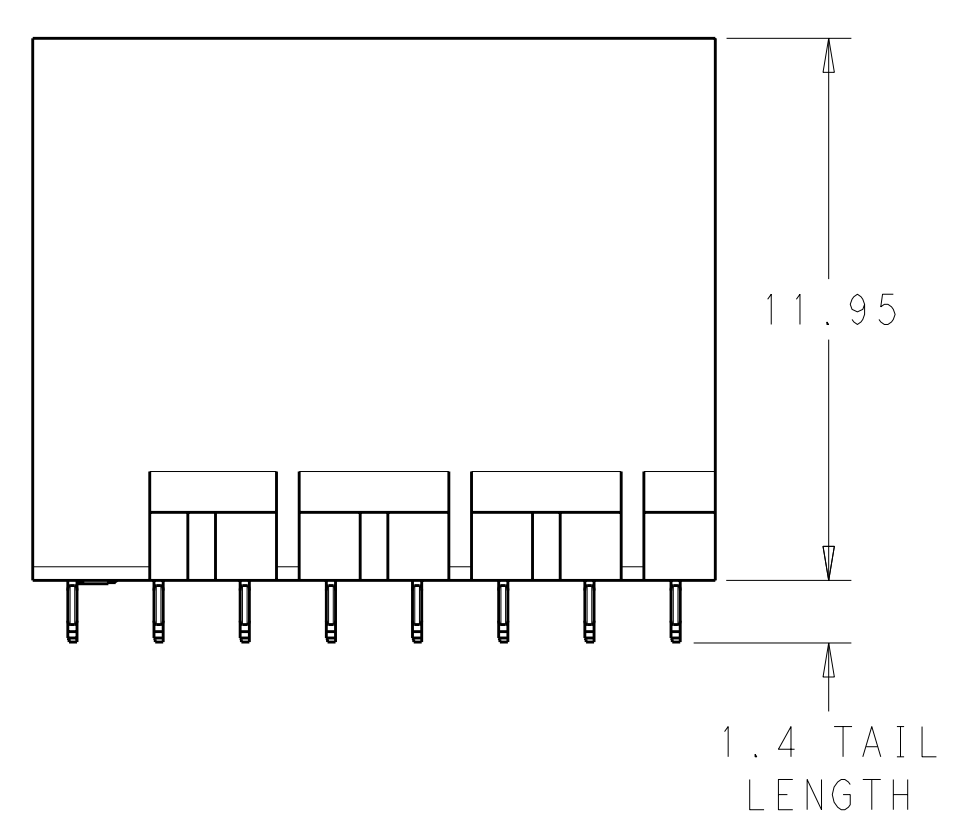


- 1 MATERIAL:
HOUSING: LCP, GLASS FILLED, UL94V-0.
TERMINALS: HIGH PERFORMANCE COPPER ALLOY.
- 2 FINISH:
30μ" MIN GOLD IN CONTACT AREA. SELECTIVE TIN
ON PCB TAILS, NICKEL OVERALL.
- 3 FINISH:
30μ" MIN GOLD IN CONTACT AREA. SELECTIVE TIN-LEAD
ON PCB TAILS, NICKEL OVERALL.



72X $\varnothing 0.46 \pm 0.05$
 $\varnothing 0.10$
 PLATED THRU HOLE

UNGUIDED
 BACKPLANE HOLE PATTERN
 (CONNECTOR SIDE)




THIS DRAWING IS A CONTROLLED DOCUMENT.		DWN	J. K. SHOBER	11JAN2011
DIMENSIONS:		CHK	J. EARY	11JAN2011
mm	TOLERANCES UNLESS OTHERWISE SPECIFIED:	APVD	J. EARY	11JAN2011
\varnothing	0 PLC ±	PRODUCT SPEC	NAME	
\varnothing	1 PLC ±0.25	APPLICATION SPEC	IMPACT, 3 PAIR, 8 COLUMN, HEADER	
\varnothing	2 PLC ±0.13	SIZE	CAGE CODE	DRAWING NO
\varnothing	3 PLC ±	WEIGHT	A100779	C=2057760
\varnothing	4 PLC ±	CUSTOMER DRAWING	SCALE	6:1
\varnothing	ANGLES ±	RESTRICTED TO	SHEET	1 OF 2
MATERIAL	FINISH	SEE TABLE	REV	C

THIS DRAWING IS UNPUBLISHED. RELEASED FOR PUBLICATION 20
 © COPYRIGHT 20 . . . ALL RIGHTS RESERVED.

LOC	DIST	REVISIONS					
AD	00	P	LTB	DESCRIPTION	DATE	DWN	APVD
		-	-	SEE SHEET 1	-	-	-

\triangle_3	5.5	2057760-6
\triangle_3	4.9	2057760-5
\triangle_3	4.5	2057760-4
\triangle_2	5.5	2057760-3
\triangle_2	4.9	2057760-2
\triangle_2	4.5	2057760-1
FINISH	DIM M	PART NUMBER

REFER TO WWW.TE.COM
FOR PRODUCT AVAILABILITY

THIS DRAWING IS A CONTROLLED DOCUMENT.		DWN J. K. SHOBER 11JAN2011	 TE Connectivity
DIMENSIONS: mm		CHK J. EABY 11JAN2011	
TOLERANCES UNLESS OTHERWISE SPECIFIED: 9 PLC ± 7 PLC ±0.25 5 PLC ±0.13 4 PLC ± ANGLES ±		APVD J. EABY 11JAN2011	NAME IMPACT, 3 PAIR, 8 COLUMN, HEADER UNGUIDED, OPEN END WALL SIGNAL MODULE, 0.46 PTH
MATERIAL -		FINISH SEE TABLE	PRODUCT SPEC -
CUSTOMER DRAWING		SCALE 5:1	APPLICATION SPEC -
SIZE A100779		WEIGHT -	DRAWING NO C=2057760
RESTRICTED TO		REVISIONS 2 OF 2	REV C

X-ON Electronics

Largest Supplier of Electrical and Electronic Components

Click to view similar products for [High Speed/Modular Connectors](#) category:

Click to view products by [TE Connectivity](#) manufacturer:

Other Similar products are found below :

[650827-1](#) [74040-1346](#) [1410191-1](#) [1410368-3](#) [1410964-2](#) [1410326-3](#) [1410367-3](#) [1410971-4](#) [1467833-1](#) [2000877-1](#) [2000878-1](#) [2041314-1](#)
[2065387-1](#) [2187307-1](#) [163P](#) [1934290-1](#) [2000875-1](#) [2065917-1](#) [2102736-2](#) [FSR-40](#) [2169868-2](#) [22354-8](#) [437-5040-000](#) [5-1393565-0](#) [039-](#)
[0246-000](#) [0761601016](#) [0784461022](#) [10123159-12ELF](#) [030-2415-003/100 PK](#) [030-7380-004](#) [030-2494-001](#) [532939-1](#) [5532901-3](#) [3-1469268-](#)
[7](#) [74748-102LF](#) [10041743-101LF](#) [10066670-100002LF](#) [1-533915-1](#) [249-4515-000](#) [7-1469373-3](#) [DL2-2J/S](#) [2000713-8](#) [2000713-7](#)
[10124313-101LF](#) [3011-21](#) [757105208](#) [EBTF-4-10-2.0-S-RA-1](#) [430305-001](#) [4395800100](#) [8140115](#)