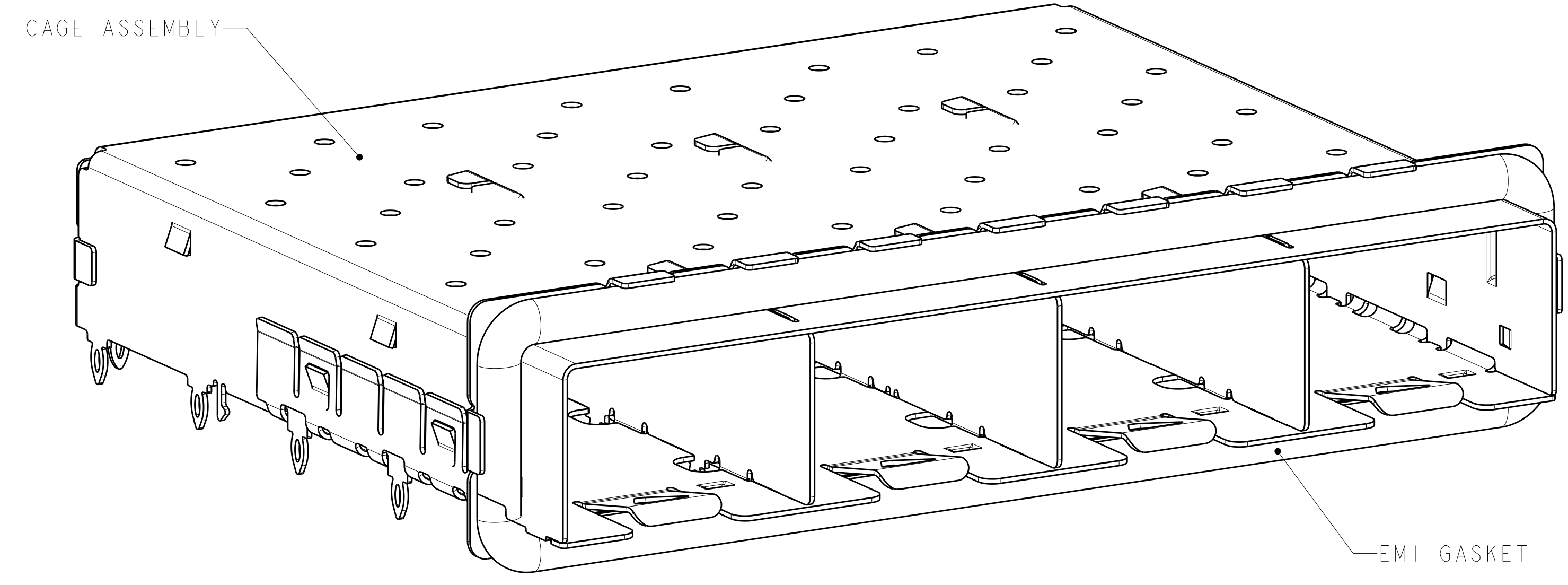
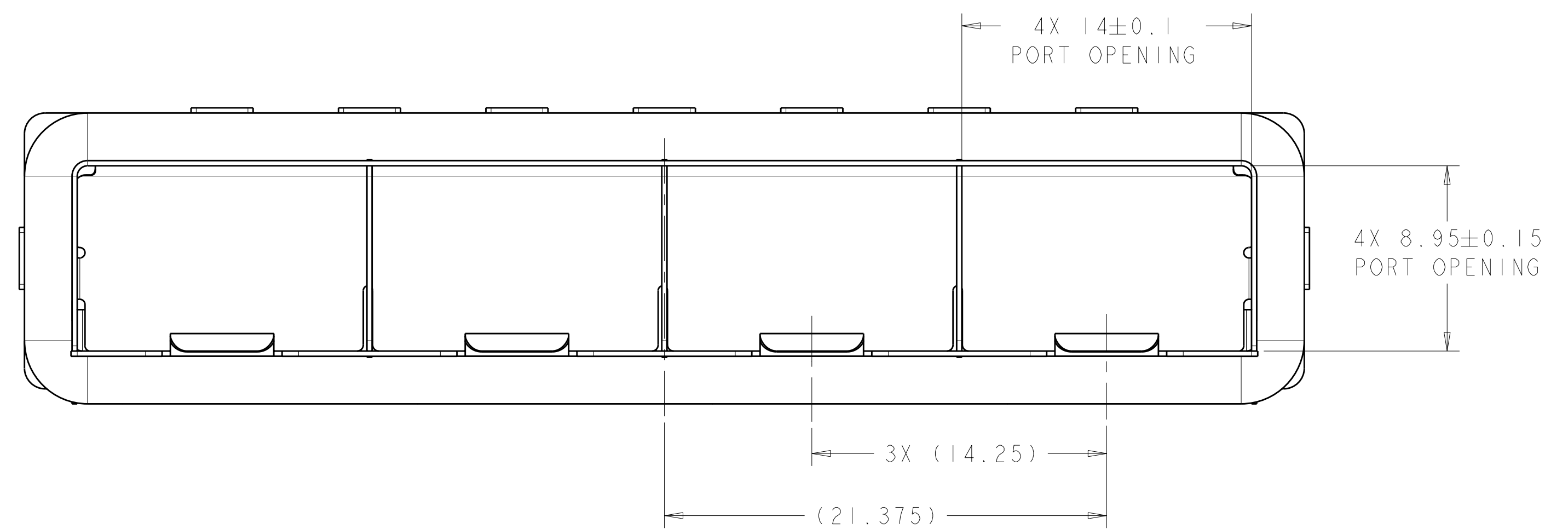
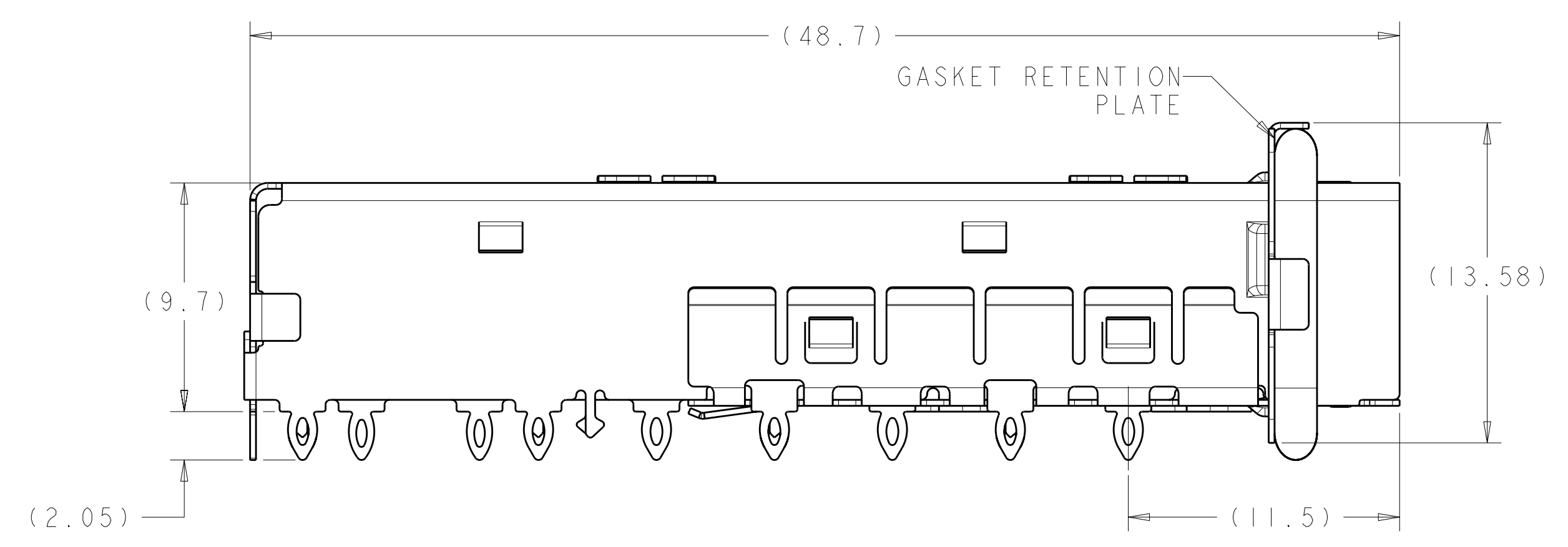


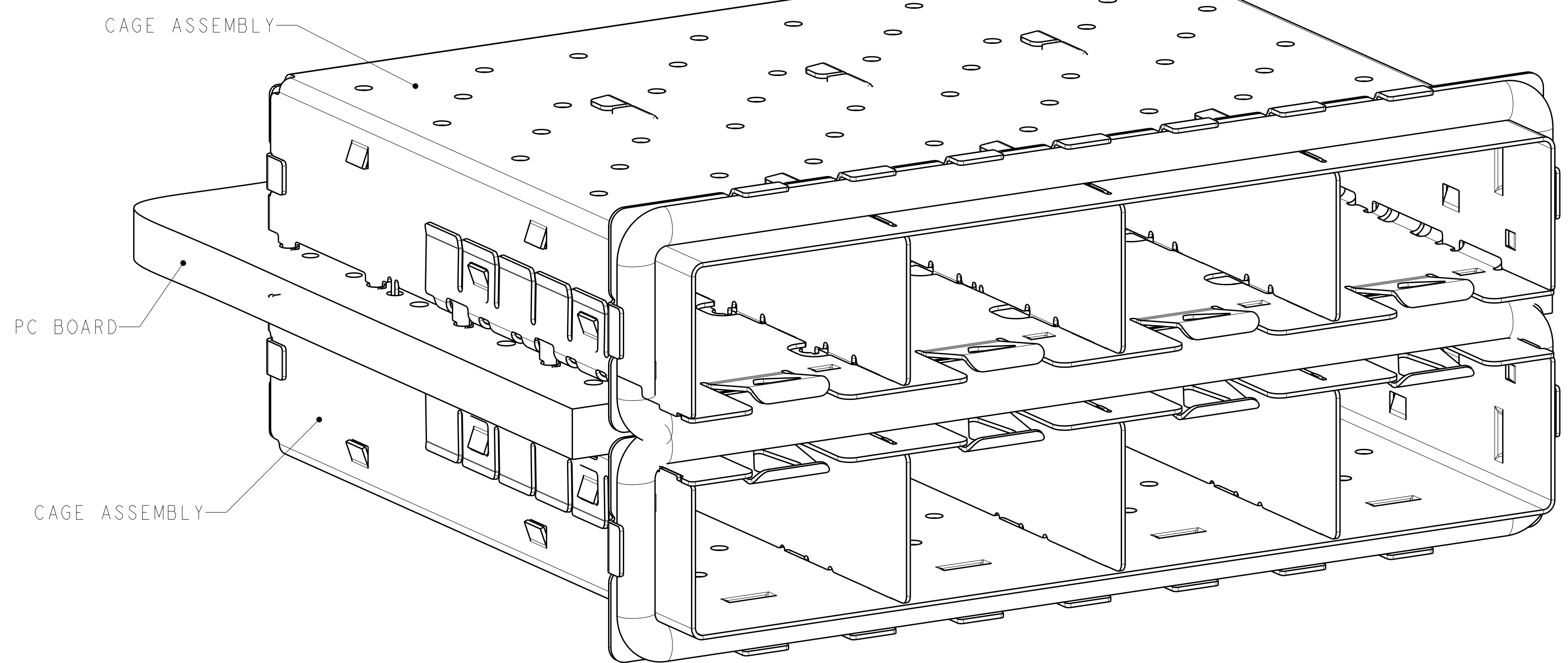
LOC	DIST	REVISIONS			
GP	00	REV	DATE	BY	APPD
		A	26APR2011	TX	CW



2057833-1
FINISHED ASSEMBLY



- 1 MATERIAL:
CAGE ASSEMBLY: NICKEL SILVER ALLOY
GASKET RETENTION PLATE: STAINLESS STEEL
GASKET: PLATED FILLED SILICONE
- 2 MINIMUM PC BOARD THICKNESS:
SINGLE SIDED = 1.50
DOUBLE SIDED = 3.00
- 3 PADS AND VIAS CHASSIS GROUND.
- 4 DATUM AND BASIC DIMENSION ESTABLISHED BY CUSTOMER.
- 5 MATES WITH SFP MSA COMPLIANT TRANSCEIVERS.
- 6 INTERPRETATION OF DATUM REFERENCE FRAME IN ACCORDANCE WITH SECT 4.4.1.1 OF ASME Y14.5M-1994.
- 7 REFERENCE APPLICATION SPEC. 114-13120, HOLE A, FOR RECOMMENDED DRILL HOLE DIAMETER AND PLATING THICKNESS.
- 8 REFERENCE APPLICATION SPEC. 114-13120, HOLE B, FOR RECOMMENDED DRILL HOLE DIAMETER AND PLATING THICKNESS.
- 9 HOLE PATTERN REPEATS FOR EACH PORT. SPACING BETWEEN PORTS IS 14.25mm.



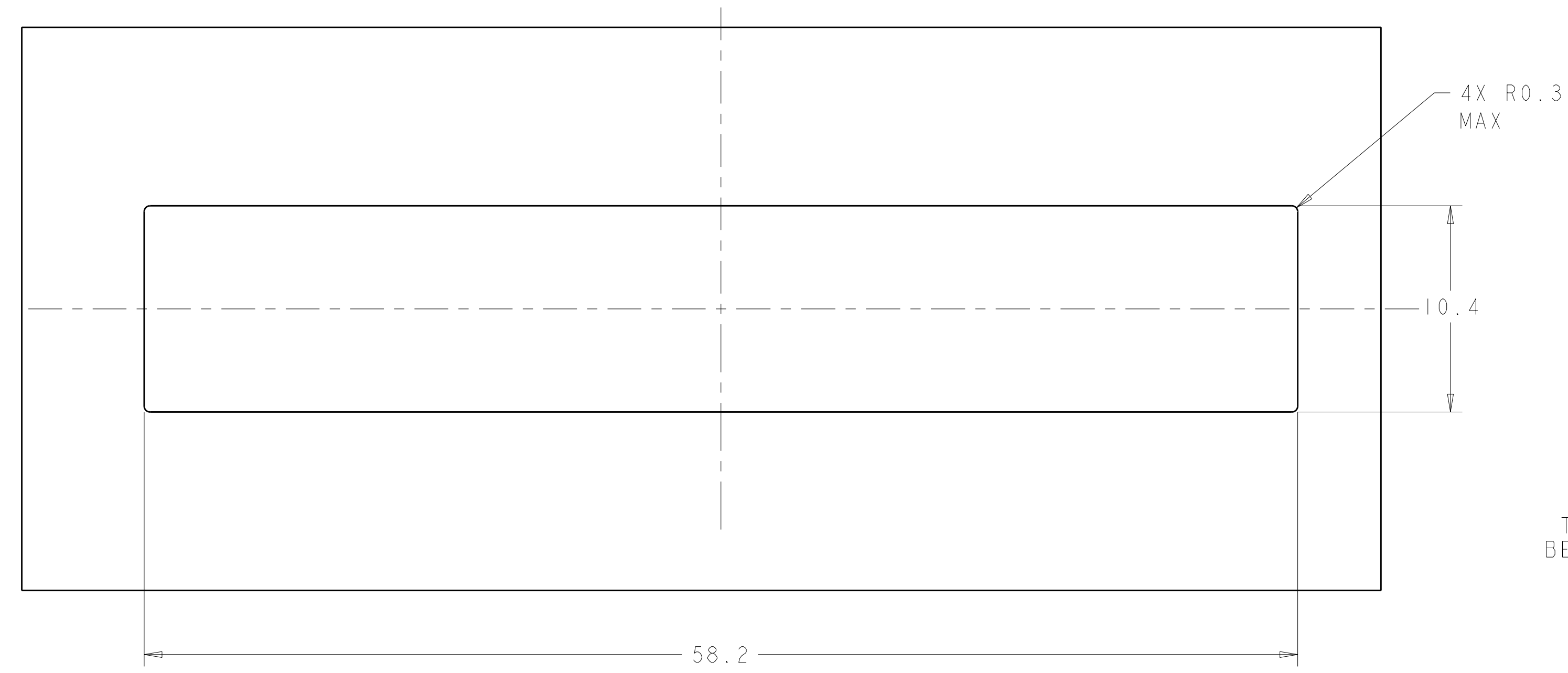
2057833-1
MOUNTED BELLY TO BELLY ON PCB
SCALE 5:1

2057833-1
PART NUMBER

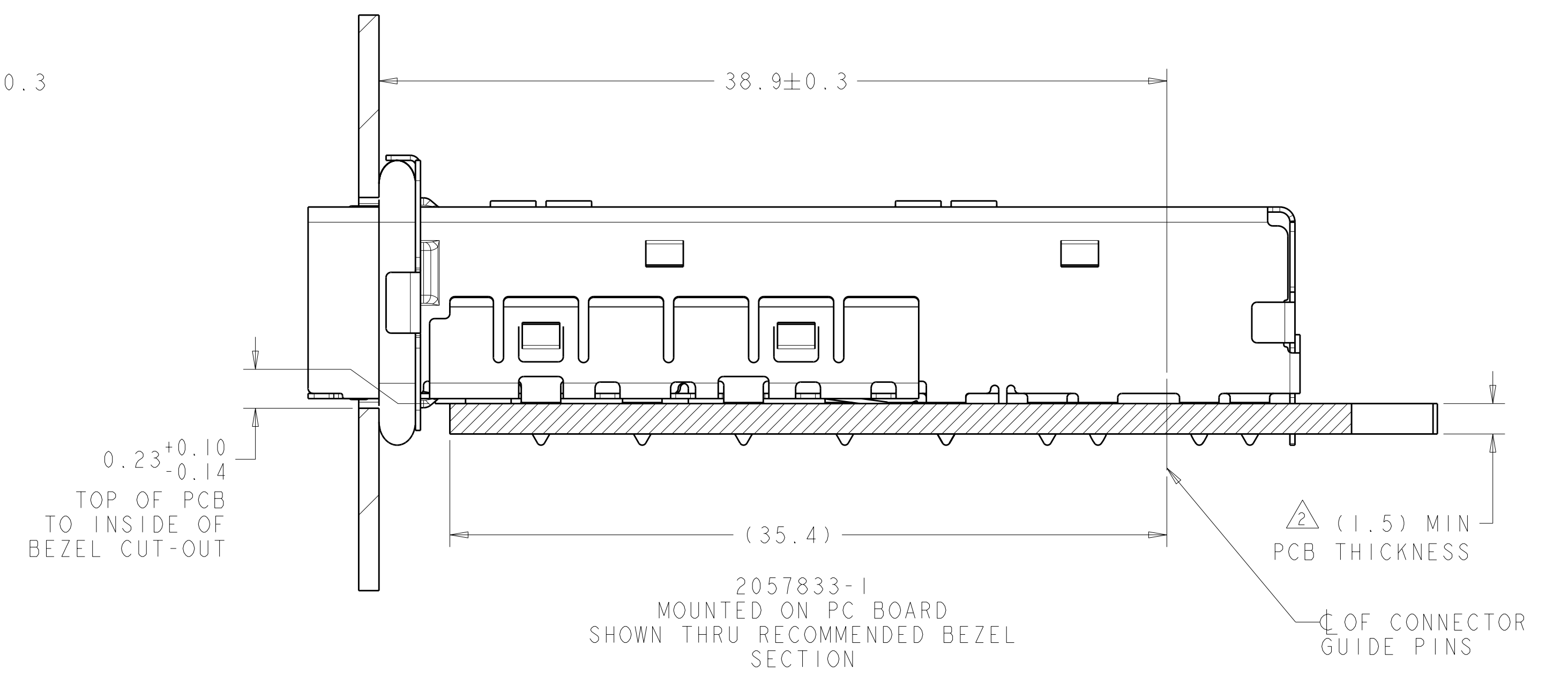
THIS DRAWING IS A CONTROLLED DOCUMENT.		DWN J. POLIGNONE 21NOV08	TE Connectivity	
DIMENSIONS: mm		CHK M. SCHMITT 21NOV08		
TOLERANCES UNLESS OTHERWISE SPECIFIED:		APVD M. SCHMITT 21NOV08		
0 PLC ±0.1 1 PLC ±0.1 2 PLC ±0.1 3 PLC ±0.1 4 PLC ±0.1 ANGLES ±0.1		NAME 108-2364		
MATERIAL		PRODUCT SPEC 114-13120		
FINISH		APPLICATION SPEC 114-13120	1x4 SFP+ ENHANCED, CAGE ASSEMBLY PRESS FIT, BELLY TO BELLY	
9 PLC ±0.1 1 PLC ±0.1 2 PLC ±0.1 3 PLC ±0.1 4 PLC ±0.1 ANGLES ±0.1		WEIGHT	SIZE CAGE CODE DRAWING NO A100779C=2057833	RESTRICTED TO
CUSTOMER DRAWING		SCALE 4:1	SHEET 1 OF 4	REV A

LOC	DIST	REV	DATE	BY	APPD
GP	00				

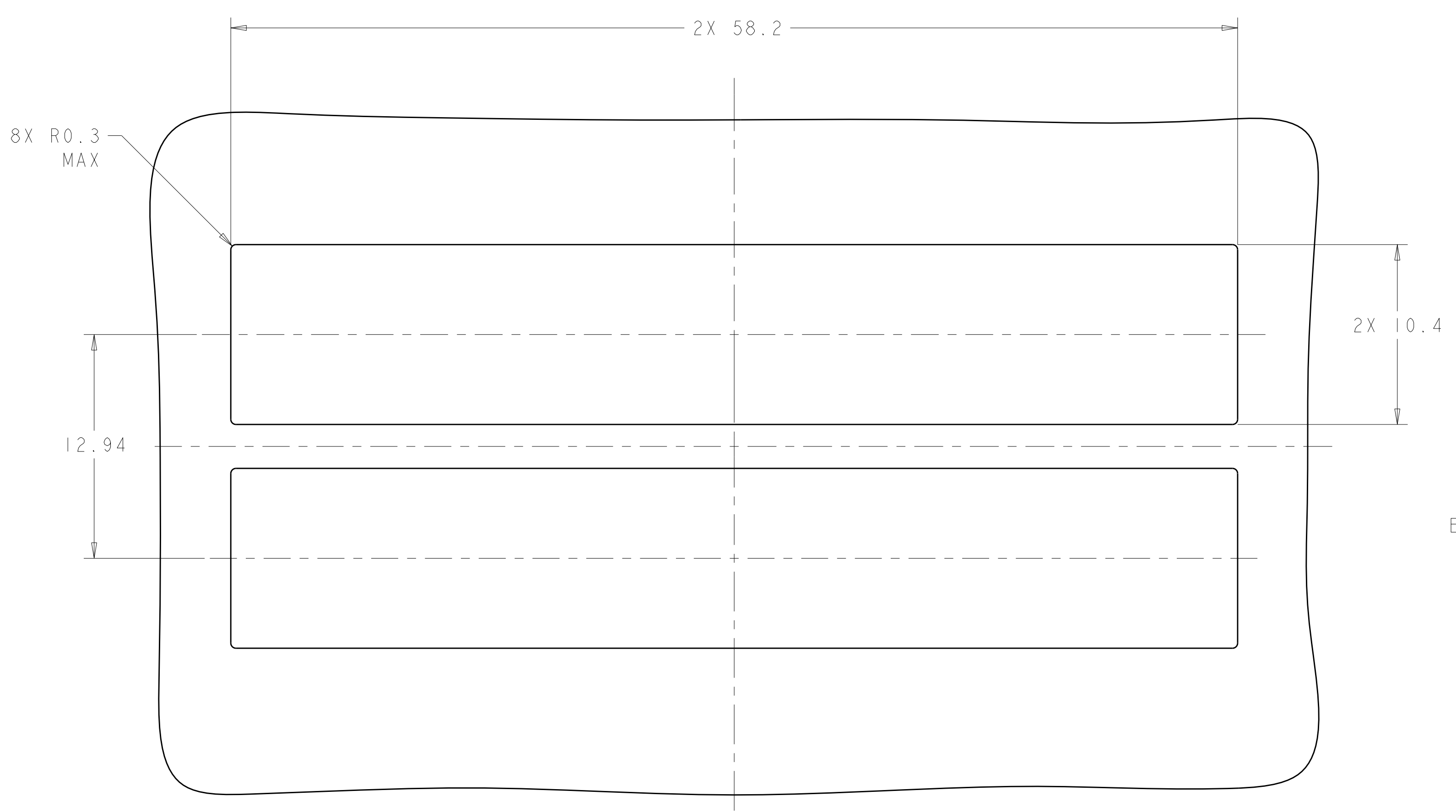
REVISIONS		DATE	BY	APPD
1	SEE SHEET 1			



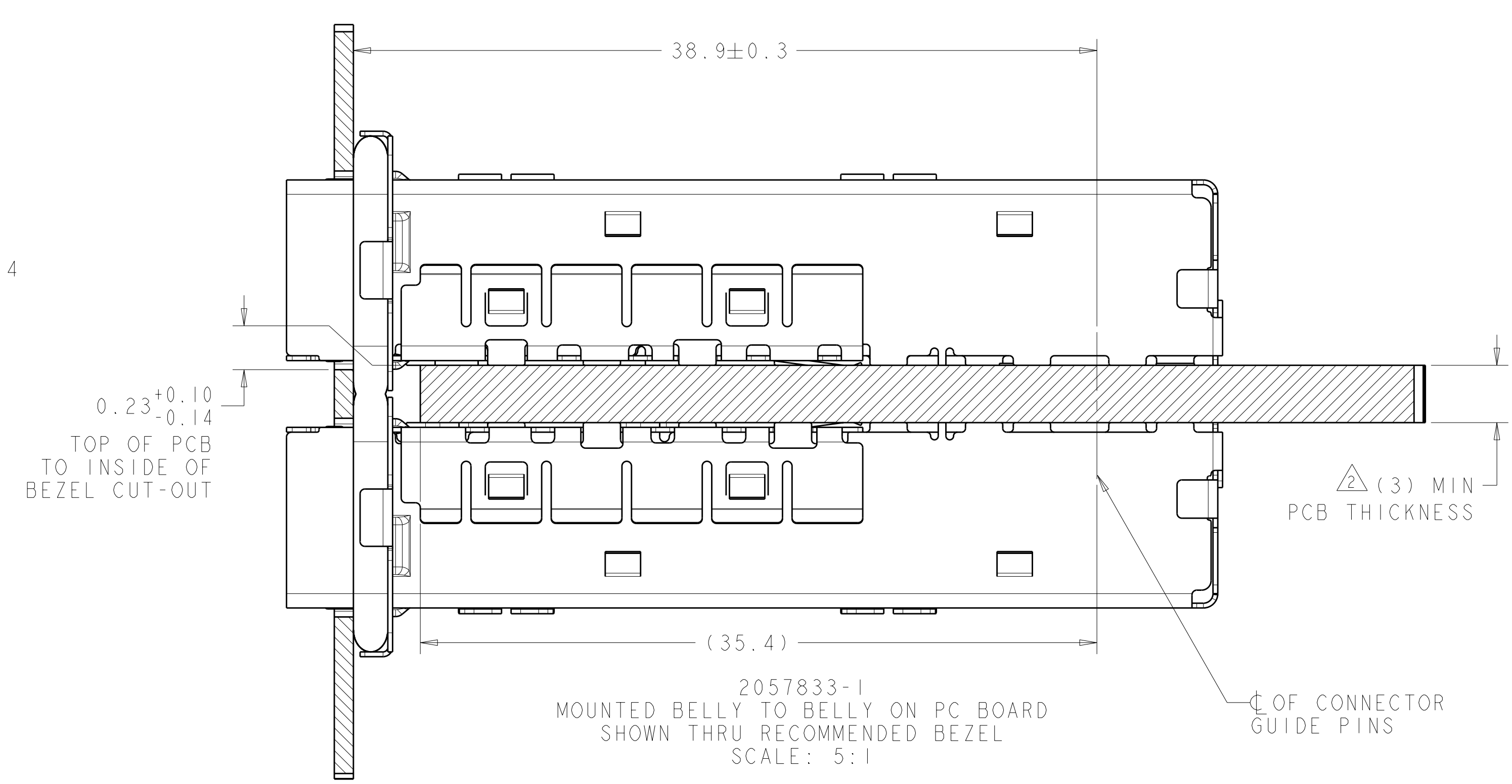
RECOMMENDED BEZEL CUT-OUT
 SINGLE SIDED APPLICATIONS
 SCALE 5:1



2057833-1
 MOUNTED ON PC BOARD
 SHOWN THRU RECOMMENDED BEZEL
 SECTION



RECOMMENDED BEZEL CUT-OUT
 BELLY TO BELLY APPLICATIONS
 SCALE 5:1

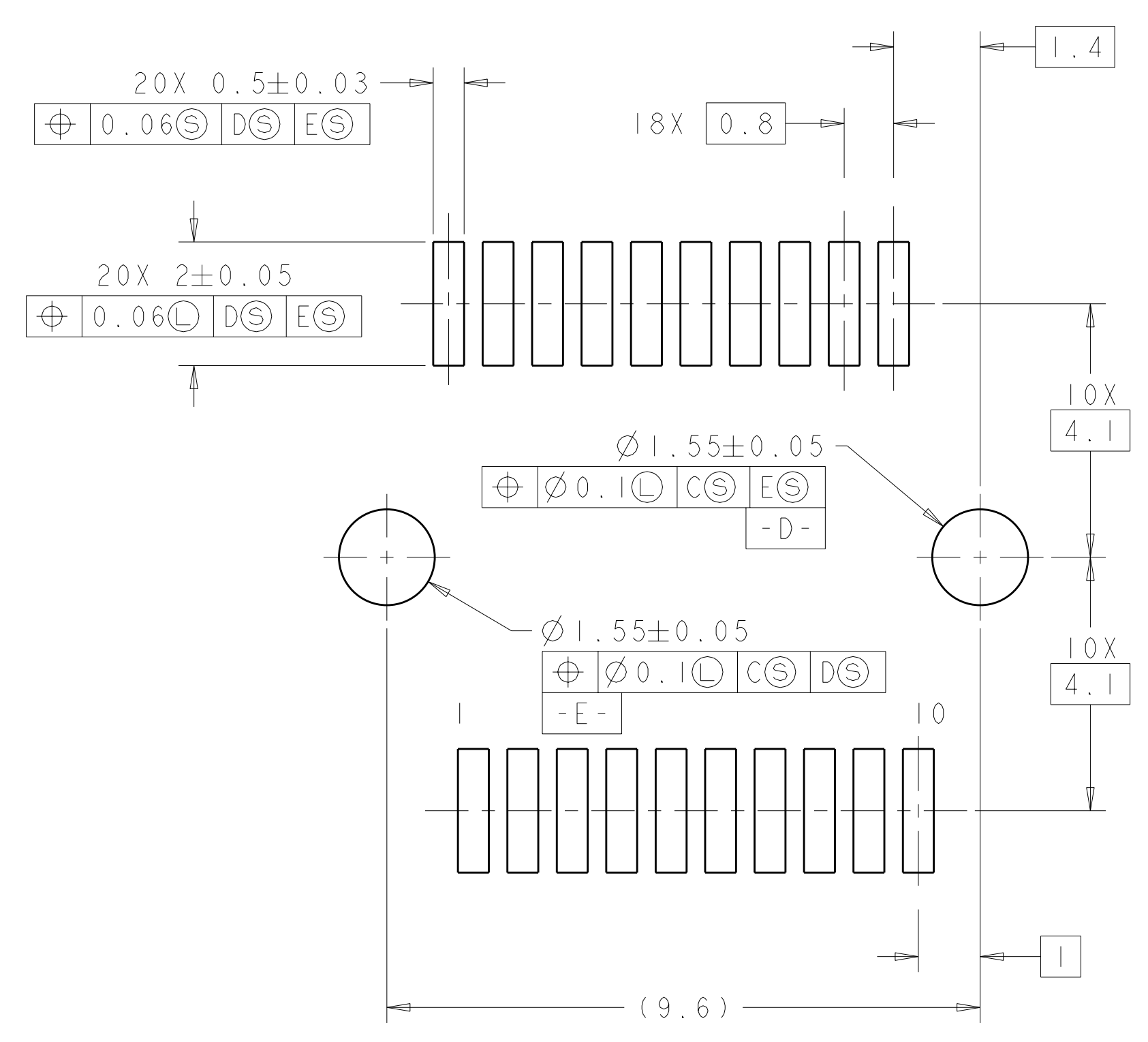
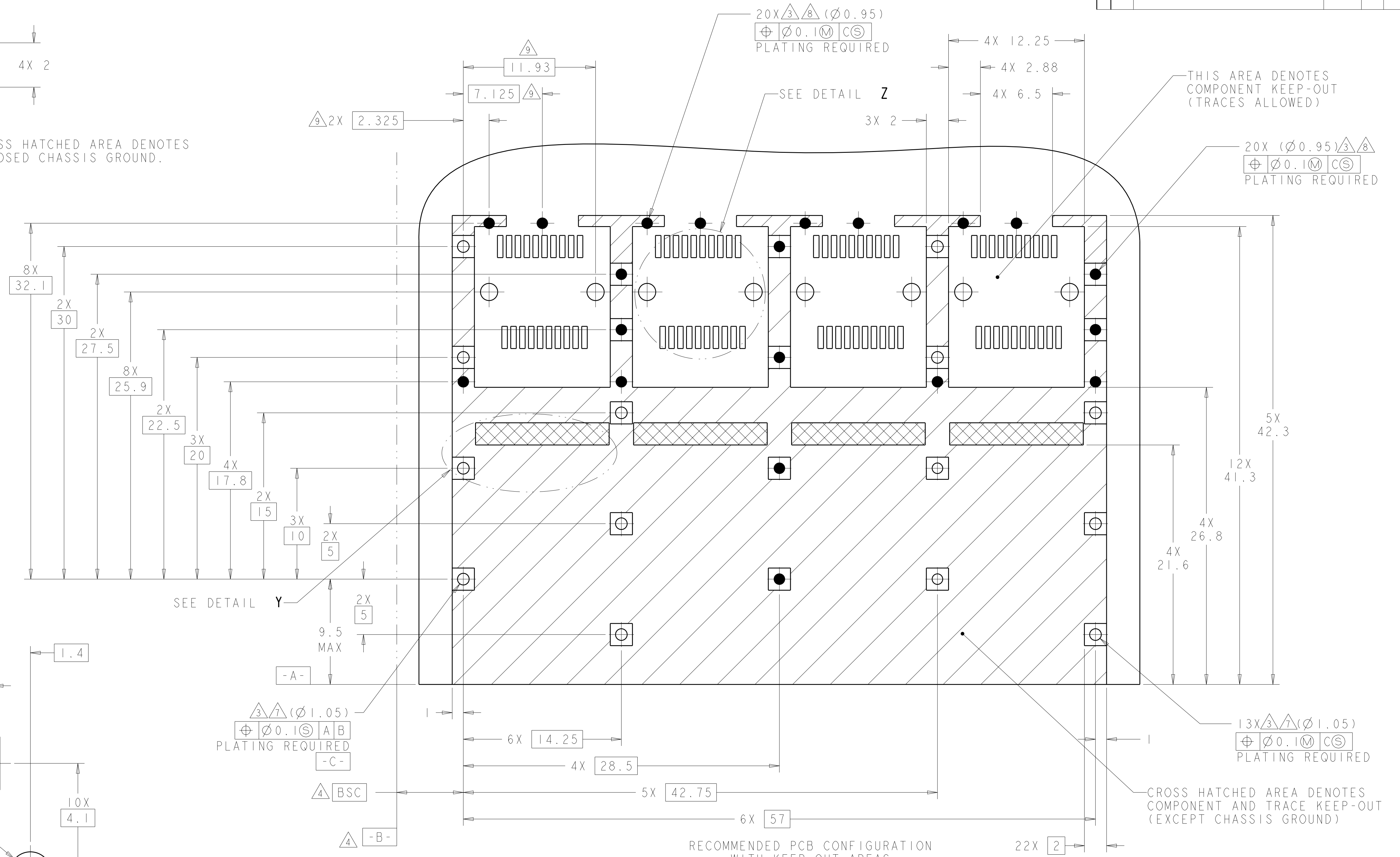
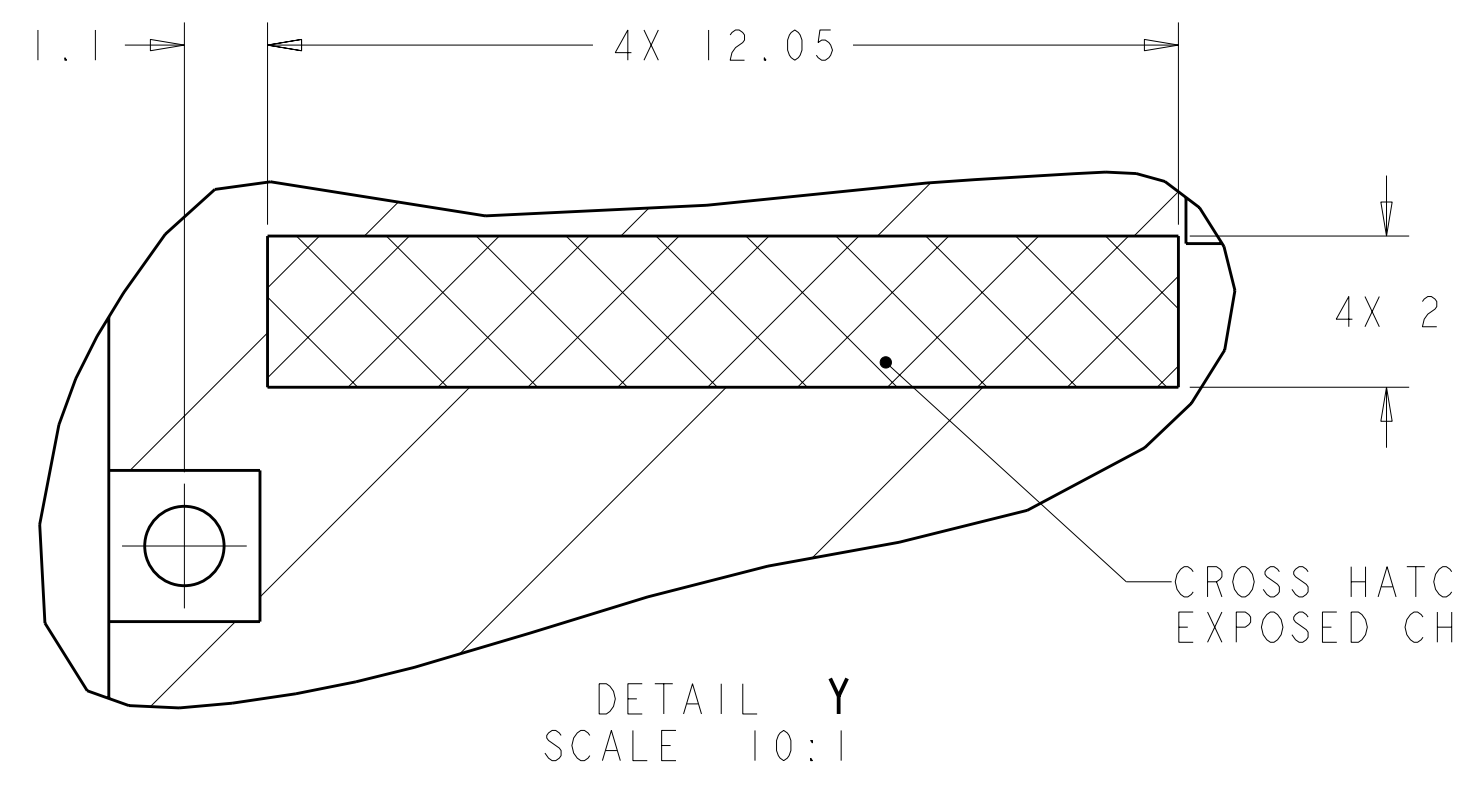


2057833-1
 MOUNTED BELLY TO BELLY ON PC BOARD
 SHOWN THRU RECOMMENDED BEZEL
 SCALE: 5:1

THIS PRINT IS
PRELIMINARY
 UNQUALIFIED PRODUCT
 CONTACT PRODUCT ENGINEERING
 BEFORE USING THIS PRINT

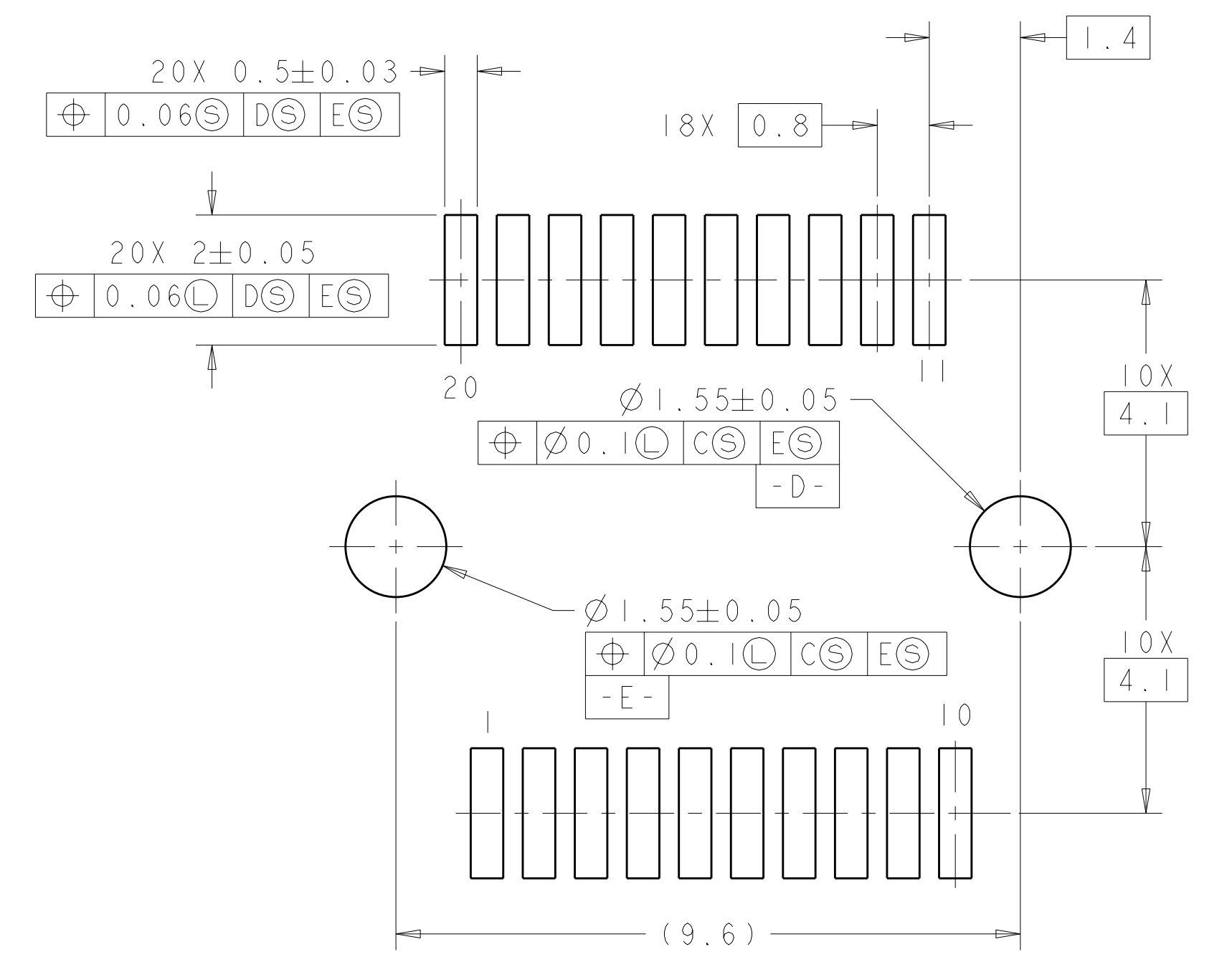
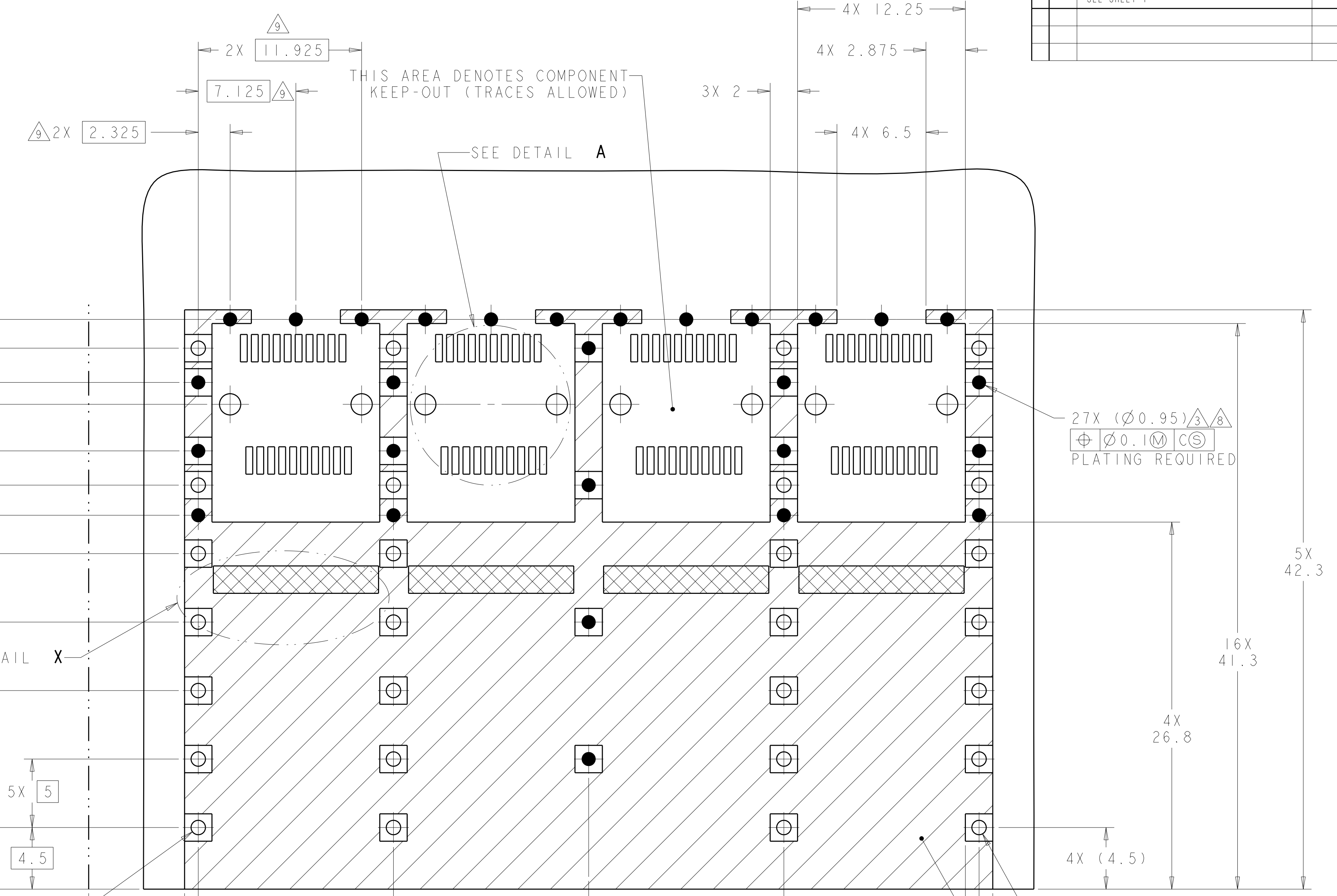
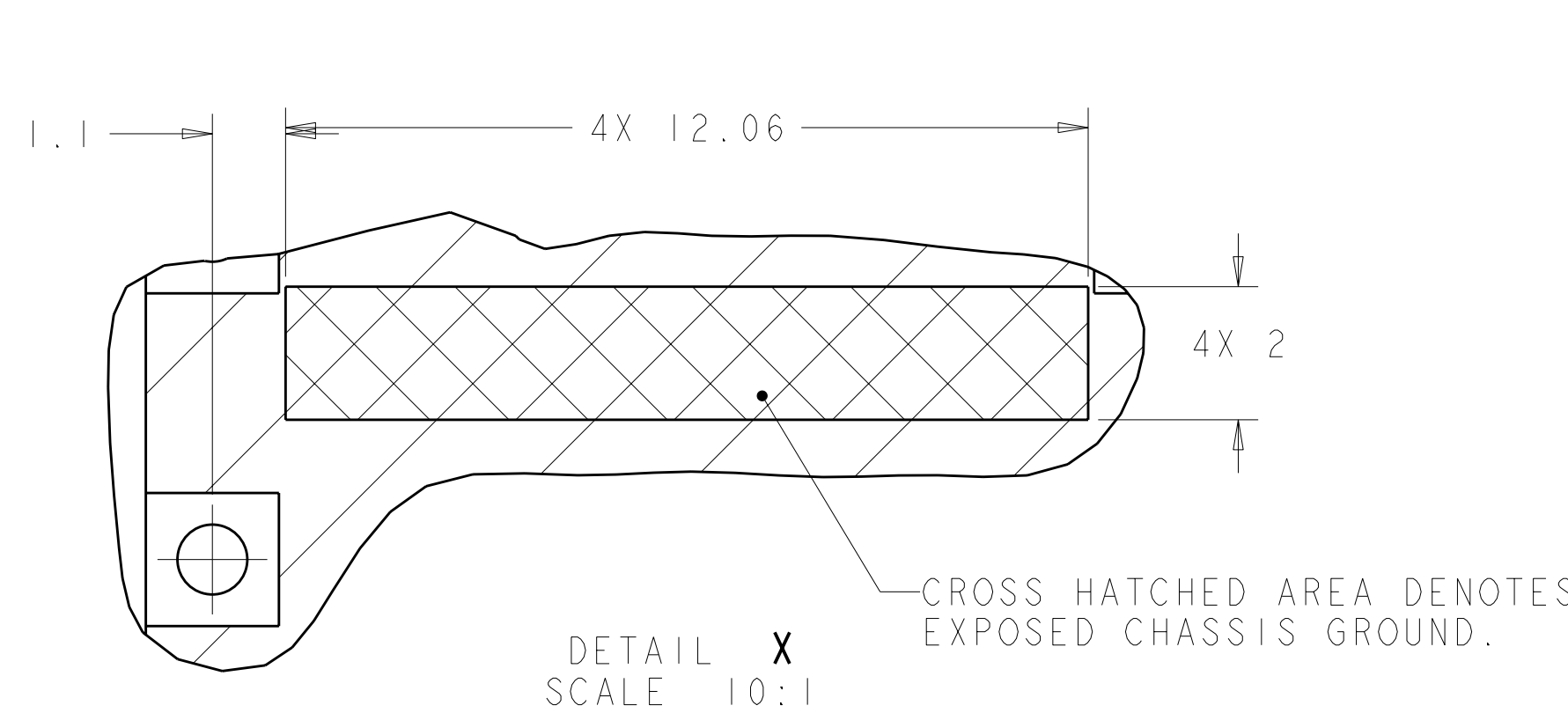
THIS DRAWING IS A CONTROLLED DOCUMENT.		DWN: J. POLIGNONE 21NOV08 CHK: M. SCHMITT 21NOV08 APPD: M. SCHMITT 21NOV08	STE TE Connectivity NAME: 1x4 SFP+ ENHANCED, CAGE ASSEMBLY PRESS FIT, BELLY TO BELLY
DIMENSIONS: mm TOLERANCES UNLESS OTHERWISE SPECIFIED: 9 PLC ±0.1 3 PLC ±0.1 5 PLC ±0.1 4 PLC ±0.1 ANGLES ±0.1 FINISH #1	PRODUCT SPEC: 108-2364 APPLICATION SPEC: 114-13120 WEIGHT: -	SIZE: A100779 CAGE CODE: C=2057833 CUSTOMER DRAWING	RESTRICTED TO: - SCALE: 4:1 SHEET 2 OF 4 REV A

LOC	DIST	REV	DESCRIPTION	DATE	OWN	APVD
GP	00		SEE SHEET 1			



THIS DRAWING IS A CONTROLLED DOCUMENT.		DWN J. POLIGNONE	21NOV08	TE Connectivity
DIMENSIONS: mm		CHK M. SCHMITT	21NOV08	
TOLERANCES UNLESS OTHERWISE SPECIFIED:		APVD M. SCHMITT	21NOV08	NAME 1x4 SFP+ ENHANCED, CAGE ASSEMBLY PRESS FIT, BELLY TO BELLY
9 PLC \pm 0.1 1 PLC \pm 0.1 5 PLC \pm 0.1 4 PLC \pm 0.1 ANGLES \pm 0.1		PRODUCT SPEC 108-2364	APPLICATION SPEC 114-13120	
MATERIAL		FINISH	WEIGHT	SIZE CAGE CODE DRAWING NO A100779C=2057833
CUSTOMER DRAWING		SCALE 4:1 SHEET 3 OF 4 REV A		RESTRICTED TO

LOC	DIST	REV	DATE	BY	APPD
GP	00				



RECOMMENDED PCB CONFIGURATION WITH KEEP-OUT AREAS BELLY TO BELLY APPLICATIONS
SCALE 5:1

THIS DRAWING IS A CONTROLLED DOCUMENT.		DWN J. POLIGNONE 21NOV08	TE Connectivity												
DIMENSIONS: mm		CHK M. SCHMITT 21NOV08													
TOLERANCES UNLESS OTHERWISE SPECIFIED:		APVD M. SCHMITT 21NOV08	NAME 1x4 SFP+ ENHANCED, CAGE ASSEMBLY PRESS FIT, BELLY TO BELLY												
<table border="1"> <tr><td>9 PLC</td><td>±0.1</td></tr> <tr><td>1 PLC</td><td>±0.1</td></tr> <tr><td>5 PLC</td><td>±0.1</td></tr> <tr><td>4 PLC</td><td>±0.1</td></tr> <tr><td>ANGLES</td><td>±0.1</td></tr> <tr><td>FINISH</td><td>#1</td></tr> </table>		9 PLC	±0.1	1 PLC	±0.1	5 PLC	±0.1	4 PLC	±0.1	ANGLES	±0.1	FINISH	#1	PRODUCT SPEC 108-2364	SIZE CAGE CODE DRAWING NO. A100779C=2057833
9 PLC	±0.1														
1 PLC	±0.1														
5 PLC	±0.1														
4 PLC	±0.1														
ANGLES	±0.1														
FINISH	#1														
MATERIAL		APPLICATION SPEC 114-13120	RESTRICTED TO												
CUSTOMER DRAWING		WEIGHT	SCALE 4:1 SHEET 4 OF 4 REV A												

X-ON Electronics

Largest Supplier of Electrical and Electronic Components

Click to view similar products for [I/O Connectors](#) category:

Click to view products by [TE Connectivity](#) manufacturer:

Other Similar products are found below :

[571763P](#) [58098-0628](#) [D20419-211](#) [D38999/20FJ24PA L/C](#) [D38999/20FJ29SB L/C](#) [D38999/24FG11SN L/C](#) [72.250.1628.2](#) [72.250.2428.2](#)
[74720-0505](#) [76.350.0729.0](#) [76871-1403](#) [FCN-244F080-G/1](#) [FCN-260A9920](#) [FCN-268D024-G/2F#10X-R10](#) [PCS-E50FA](#) [PCS-XE26LKA](#)
[PCS-XE26MA+](#) [PCS-XES68MS+](#) [G38A71314B](#) [DX40-50P\(55\)](#) [1571250010](#) [157-22500-3](#) [MS3471L14-19P L/C](#) [1888020-8](#) [91-569786-](#)
[35H](#) [91-569786-35M](#) [91-644626-35P](#) [SM3100F14S-58S](#) [172501-4002](#) [172501-6002](#) [FCN-260C008-A/L0](#) [FCN-260C024-AL0](#) [FCN-](#)
[261Z008](#) [FCN-268D008-G/1K](#) [2000314-1](#) [200331-1](#) [2007498-2](#) [PCR-E28LMDAG1+](#) [PCR-E36FC+](#) [PCS-E28FS+](#) [PCS-XE26SLFD+](#) [PCS-](#)
[XE26SLFDT+](#) [G38A71214B](#) [HDRA-E68W1LFDTC-SL+](#) [HDR-E14MSG1+](#) [R88A-CNK81S](#) [CRT1-ATT02](#) [54182-0605](#) [U90B2054081210](#)
[UE86K842720321](#)