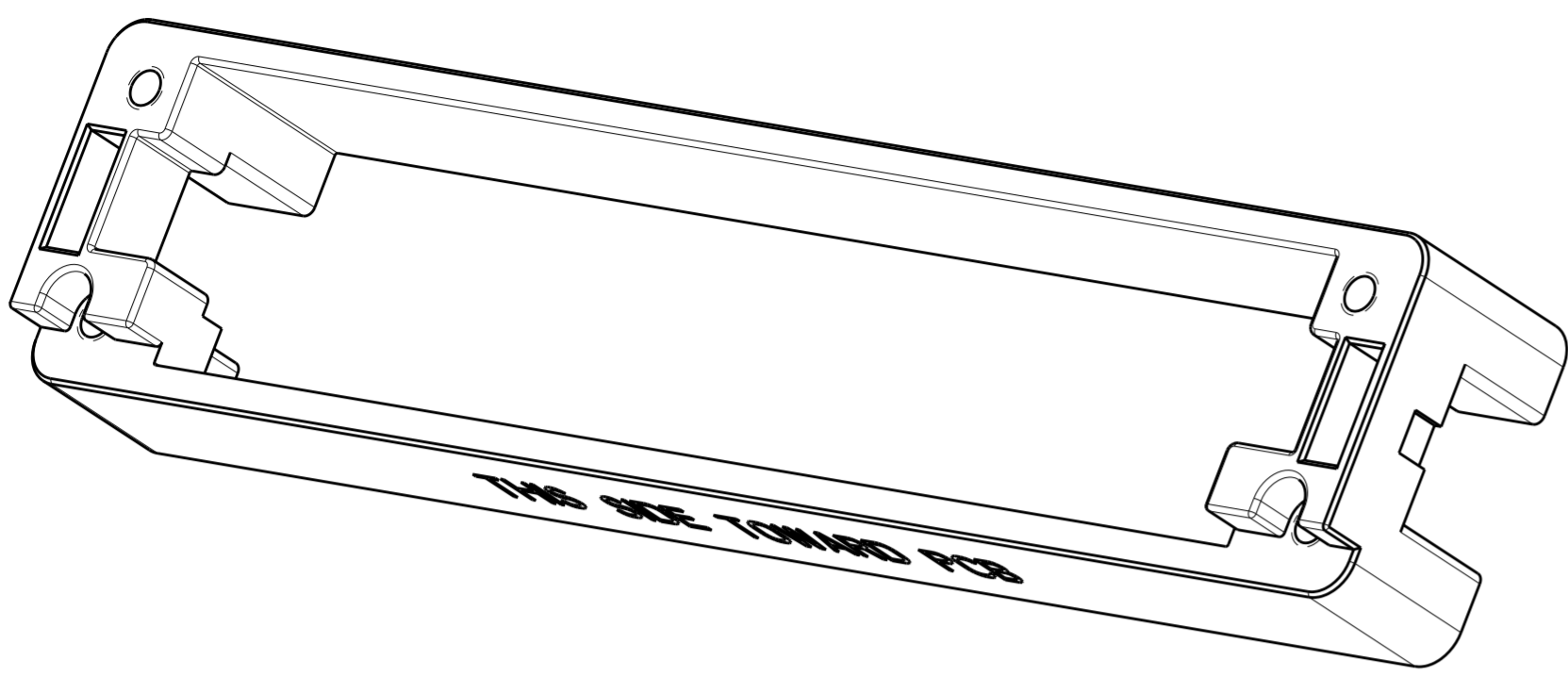


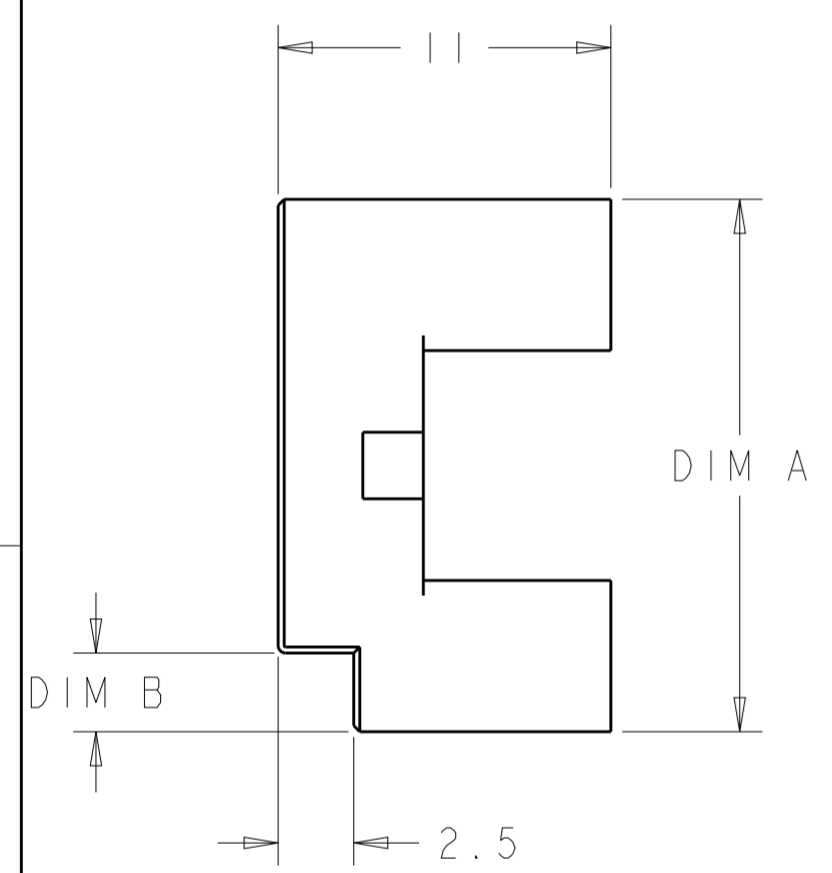
THIS DRAWING IS UNPUBLISHED. RELEASED FOR PUBLICATION 20  
 © COPYRIGHT 20 ALL RIGHTS RESERVED.

LOC	DIST	REVISIONS					
GP	00	P	LTR	DESCRIPTION	DATE	DWN	APVD
		1		ORIGINAL	18OCT2011	BMM	MRS
		2		ADD -2	14JUL2016	PP	SH

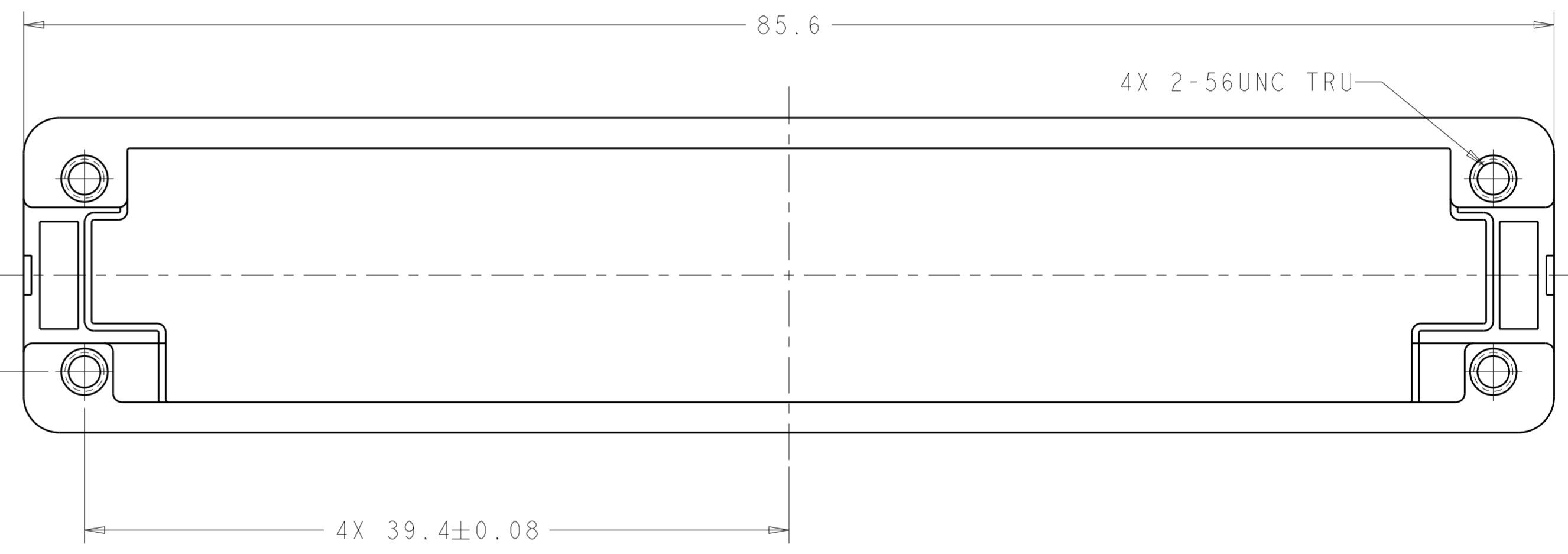


REAR ISOMETRIC VIEW  
SCALE 3:1

- ① ZINC ALLOY PER ASTM B 86. ALLOY AG40A.
- ② 1.27µm MIN NICKEL PLATE PER QQ-N-290 OVER 5.08µm MIN COPPER PLATE PER AMS 2418.
- ③ TEXT INDICATES THIS SURFACE OF THE PART IS TO FACE TOWARD PCB.



4X 5.4±0.08



③

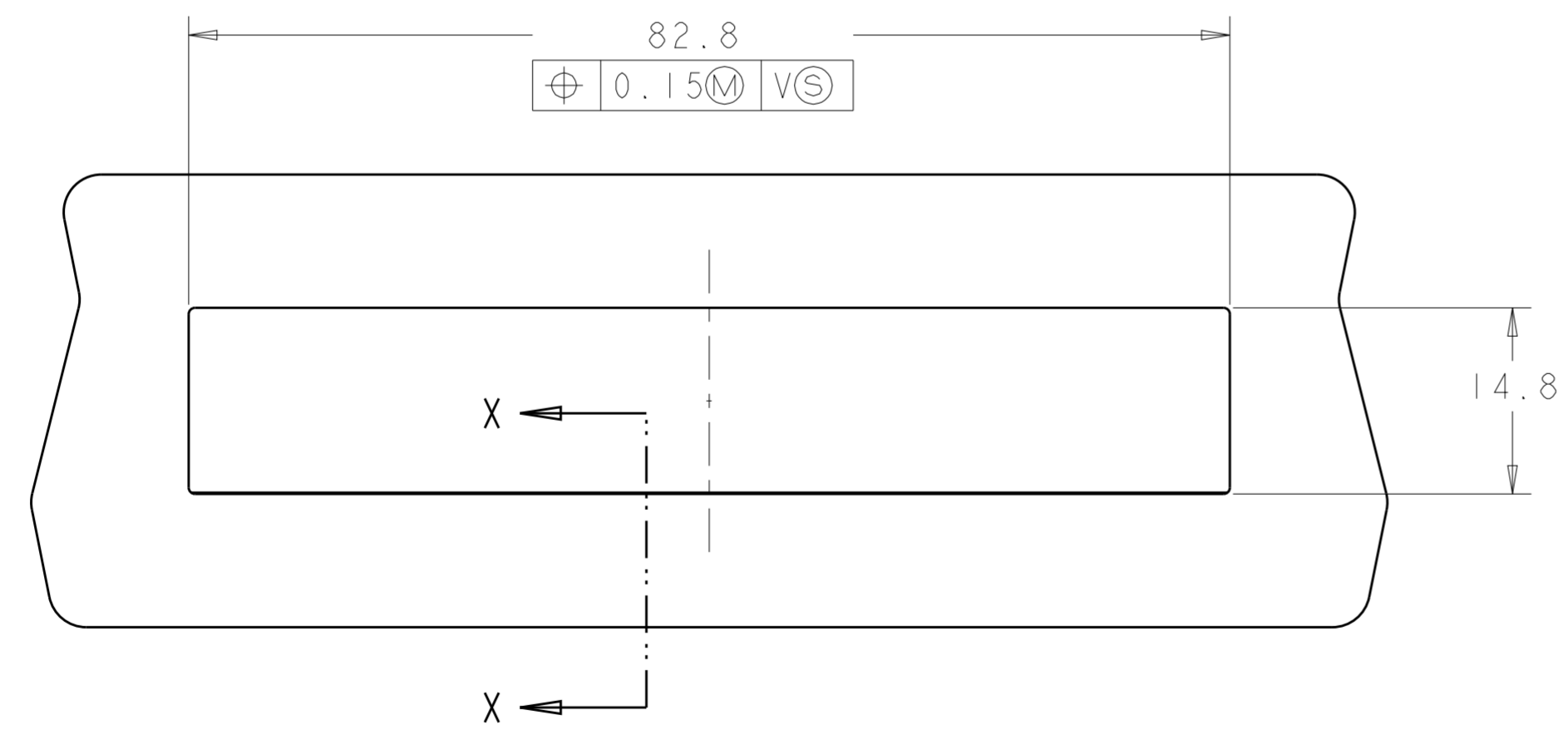
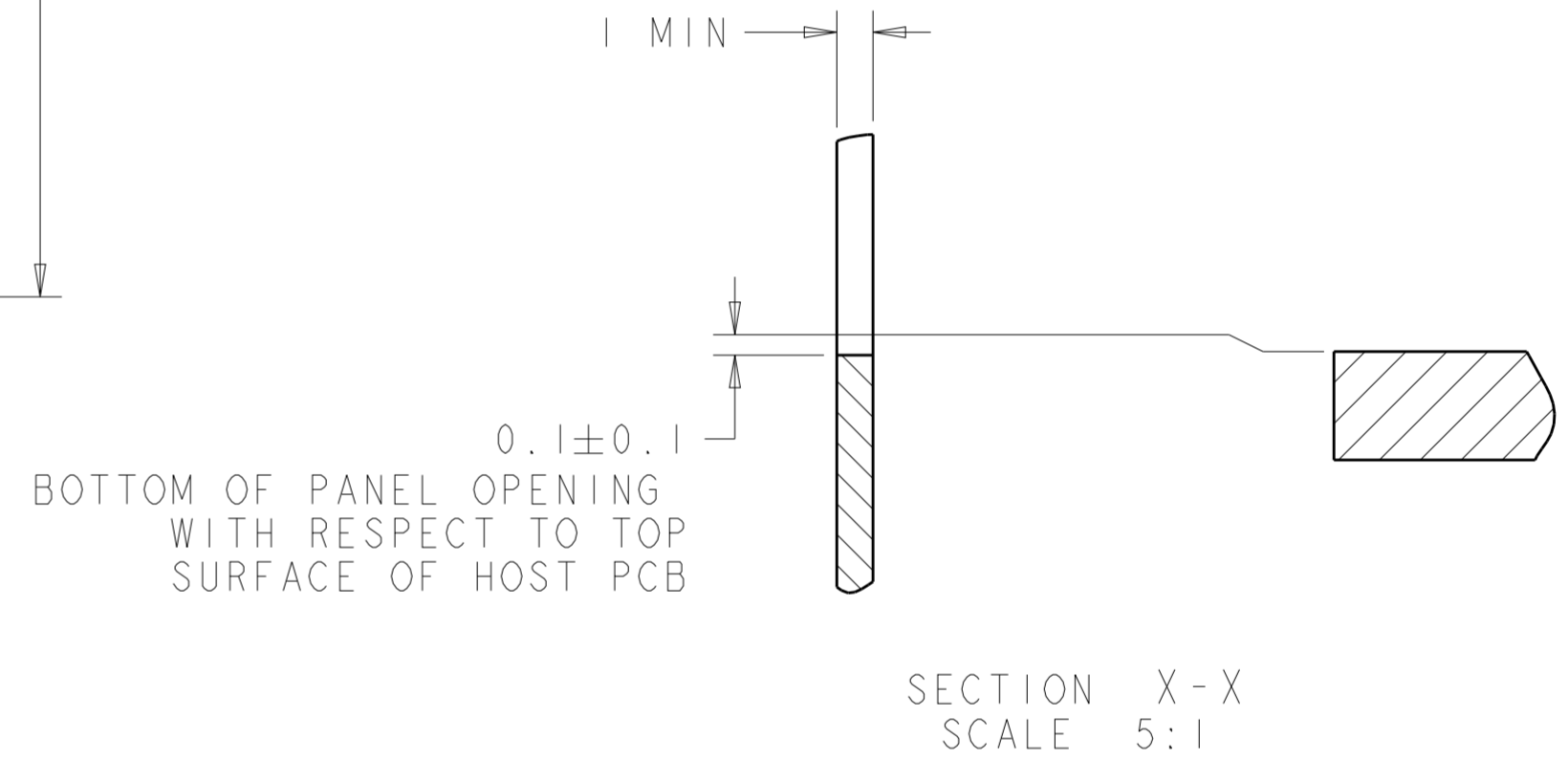
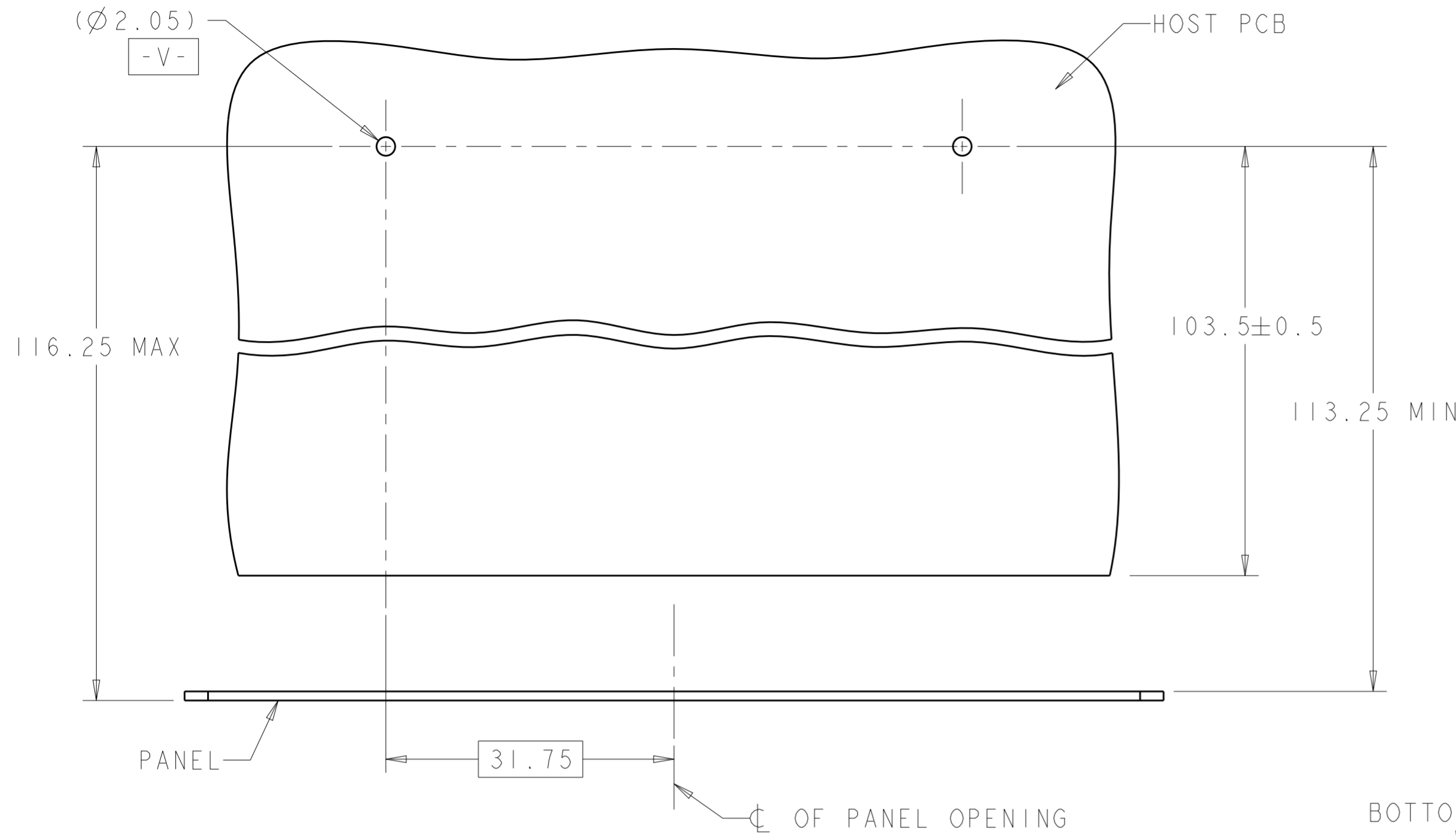
2.20	16.80	2057928-6
2.60	17.60	2057928-3
DIM B	DIM A	PART NUMBER

THIS PRINT IS  
**PRELIMINARY**  
UNQUALIFIED PRODUCT  
CONTACT PRODUCT ENGINEERING  
BEFORE USING THIS PRINT

THIS DRAWING IS A CONTROLLED DOCUMENT.		DWN B. MATTHEWS 18OCT2011	<b>STE</b> TE Connectivity	
DIMENSIONS: mm		CHK M. SCHMITT 18OCT2011		
TOLERANCES UNLESS OTHERWISE SPECIFIED: 0 PLC ±0.13 1 PLC ±0.1 2 PLC ±0.05 3 PLC ± 4 PLC ± ANGLES ± FINISH		APVD M. SCHMITT 18OCT2011	NAME BACKER PLATE ASSEMBLY, 100 GIG PLUGGABLE	
MATERIAL ①		PRODUCT SPEC -	SIZE A200779	DRAWING NO C-2057928
		APPLIC. SPEC -	RESTRICTED TO -	
		WEIGHT -	SCALE 1:1	SHEET 1 OF 2
		CUSTOMER DRAWING		REV 3

THIS DRAWING IS UNPUBLISHED. RELEASED FOR PUBLICATION 20  
 © COPYRIGHT 20 ALL RIGHTS RESERVED.

LOC	DIST	REVISIONS					
GP	00	P	LTR	DESCRIPTION	DATE	DWN	APVD
		-		SEE SHEET 1	-	-	-



RECOMMENDED PANEL OPENING AND PANEL LOCATION WITH RESPECT TO HOST PCB SCALE 2:1

THIS DRAWING IS A CONTROLLED DOCUMENT.		DWN B. MATTHEWS 18OCT2011	TE Connectivity	
DIMENSIONS: mm		CHK M. SCHMITT 18OCT2011		
TOLERANCES UNLESS OTHERWISE SPECIFIED:		APVD M. SCHMITT 18OCT2011	NAME BACKER PLATE ASSEMBLY, 100 GIG PLUGGABLE	
0 PLC $\pm 0.13$		PRODUCT SPEC	SIZE CAGE CODE DRAWING NO RESTRICTED TO	
1 PLC $\pm 0.1$		APPLICATION SPEC	A200779 C-2057928	
2 PLC $\pm 0.05$		WEIGHT	SCALE 1:1 SHEET 2 OF 2 REV 3	
3 PLC $\pm$		CUSTOMER DRAWING		
4 PLC $\pm$				
ANGLES $\pm$				
FINISH				

## X-ON Electronics

Largest Supplier of Electrical and Electronic Components

*Click to view similar products for [I/O Connectors](#) category:*

*Click to view products by [TE Connectivity](#) manufacturer:*

Other Similar products are found below :

[571763P](#) [58098-0628](#) [72.250.1628.2](#) [72.250.2428.2](#) [74720-0505](#) [76.350.0729.0](#) [76871-1403](#) [FCN-244F080-G/1](#) [FCN-260A9920](#) [PCR-E36PM](#) [PCS-XE26MA+](#) [G38A71314B](#) [1571250010](#) [157-22500-3](#) [MS3471L14-19P L/C](#) [172501-4002](#) [172501-6002](#) [FCN-260C008-A/L0](#) [FCN-260C024-AL0](#) [FCN-261Z008](#) [2000314-1](#) [200331-1](#) [PCR-E36FC+](#) [PCS-E28FS+](#) [PCS-XE26SLFD+](#) [PCS-XE26SLFDT+](#) [G730VID08BDC24](#) [U90B2054081210](#) [38113800006](#) [DP3AR020WQ1R200](#) [Z4.102.0680.0](#) [500-1040](#) [500-1052](#) [500-1054](#) [ZP-4008-66L](#) [0709821002](#) [DX40-20P\(55\)](#) [5554841-1](#) [MS3474W18-8P-LC\\*](#) [U90B3054061110](#) [U65-E04-4020](#) [ZPF000000000097891](#) [747360449](#) [10099439-003C-TRLF](#) [10137239-0021LF](#) [E9320-001-01](#) [10137239-0011LF](#) [70289-001LF](#) [70.060.1028.0](#) [109029-ZZ](#)