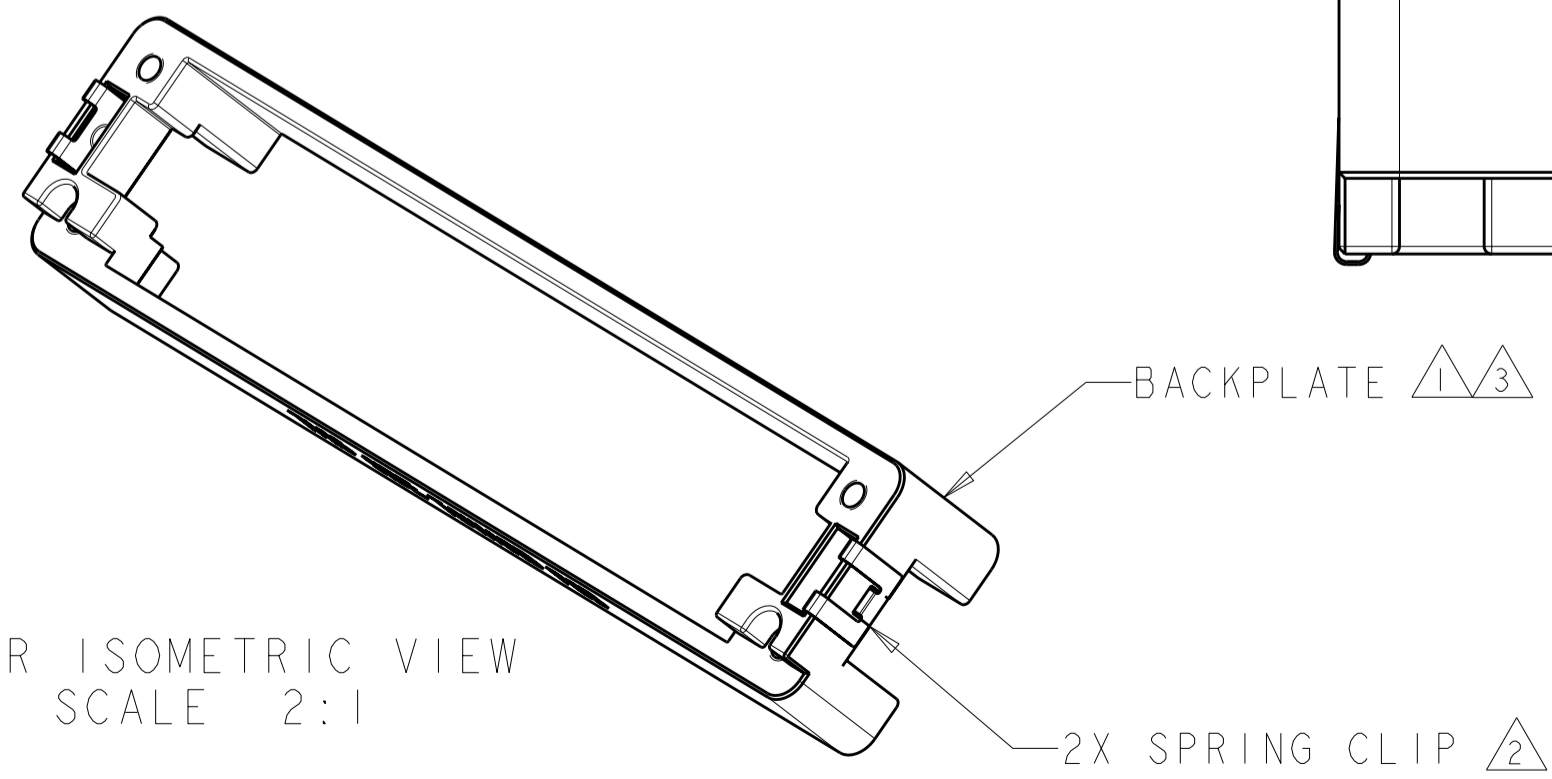
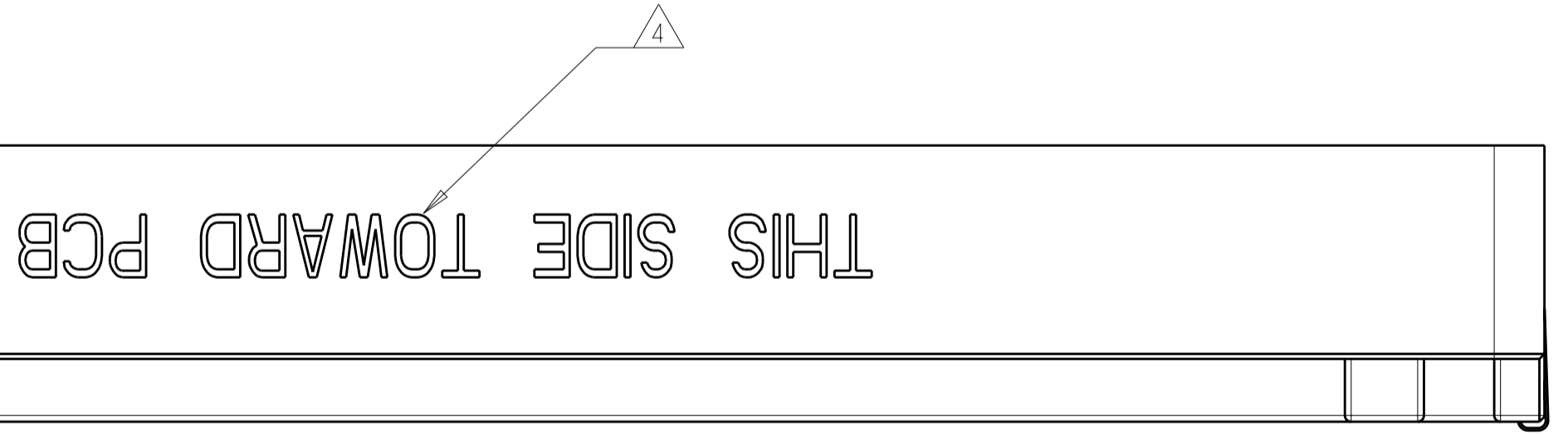
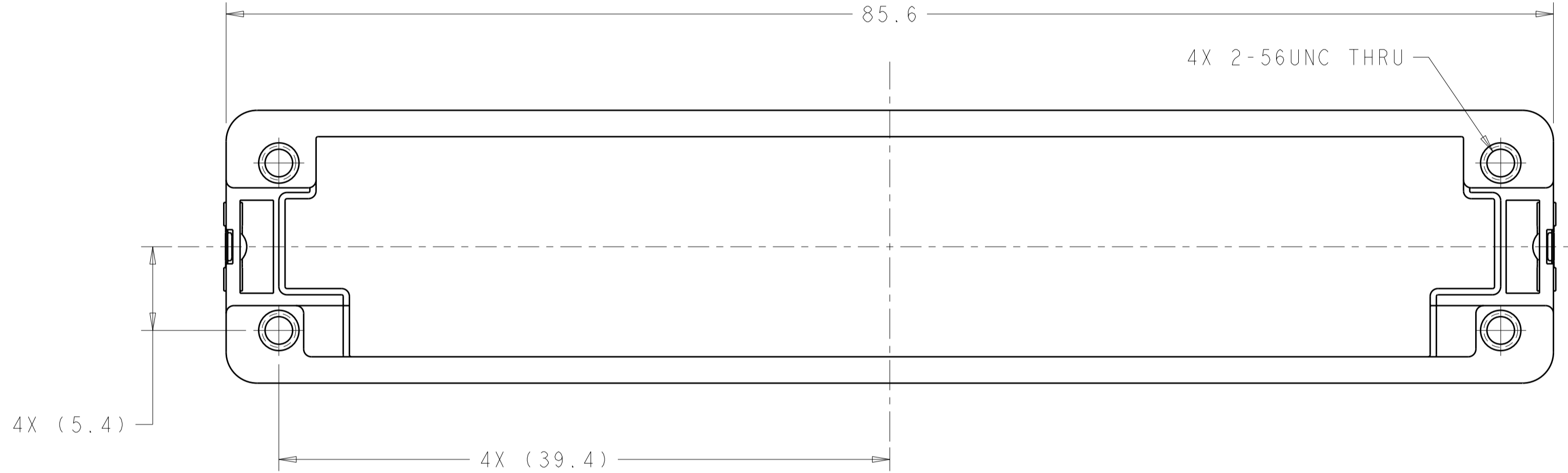
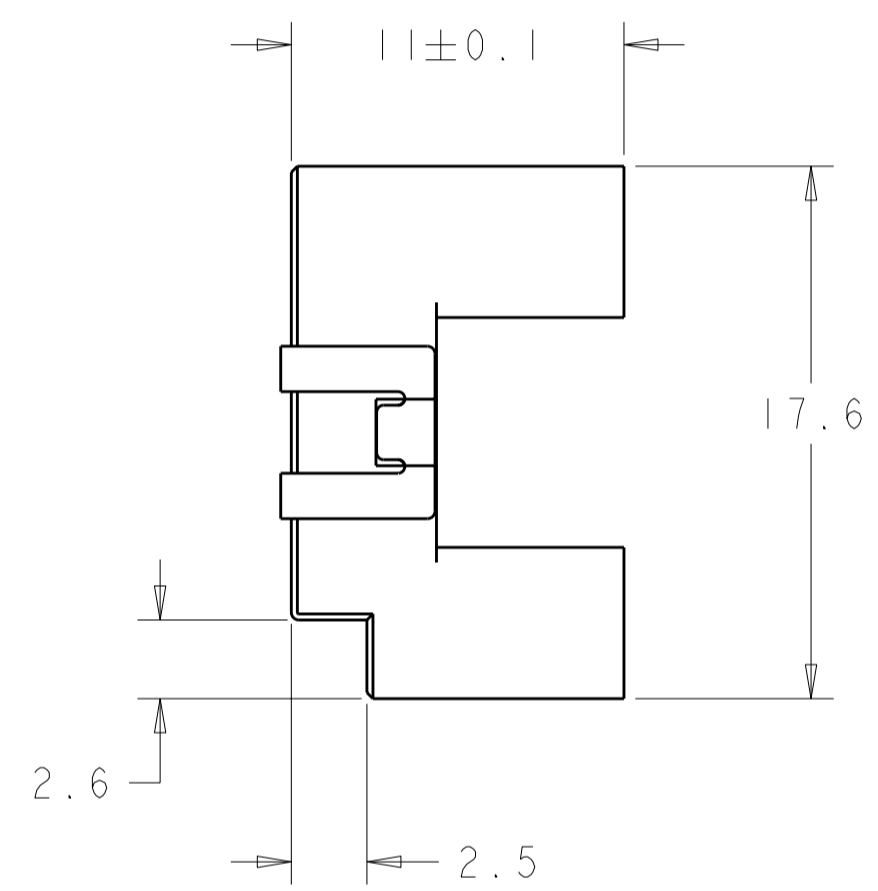


THIS DRAWING IS UNPUBLISHED. RELEASED FOR PUBLICATION 20
 © COPYRIGHT 20 ALL RIGHTS RESERVED.

LOC	DIST	REVISIONS					
GP	00	P	LTR	DESCRIPTION	DATE	DWN	APVD
		A		RELEASED PER ECO-12-006362	14MAY2012	CJV	MRS

- ① ZINC ALLOY PER ASTM B 86. ALLOY AG40A.
- ② STAINLESS STEEL PER ASTM A 666. TYPE 11 OR TYPE 12.
- ③ 1.27µm MIN NICKEL PLATE PER QQ-N-290
OVER 5.08µm MIN COPPER PLATE PER AMS 2418.
- ④ TEXT INDICATES THIS SURFACE OF THE PART IS TO FACE TOWARD PCB.



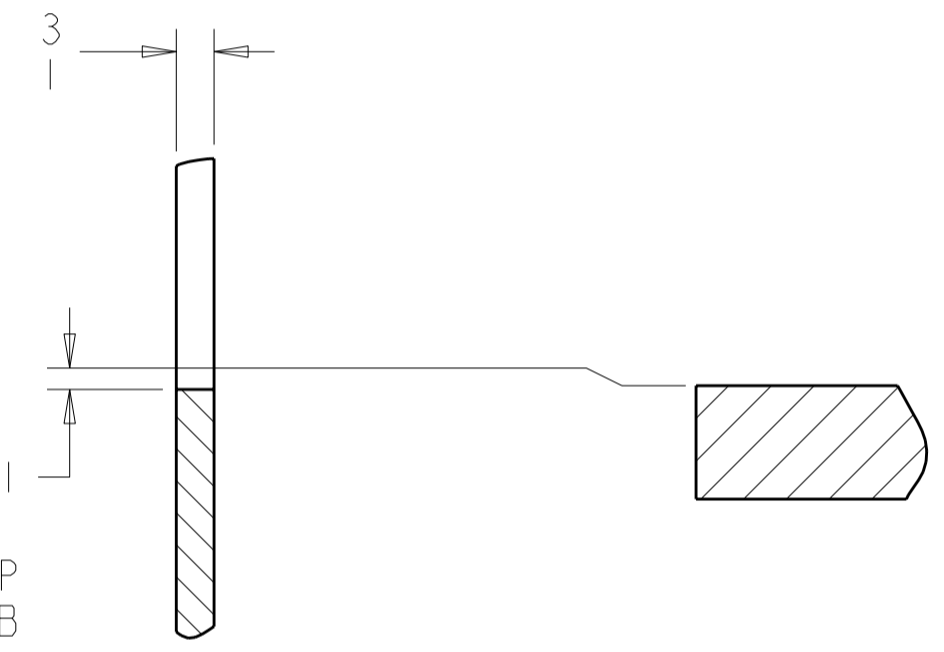
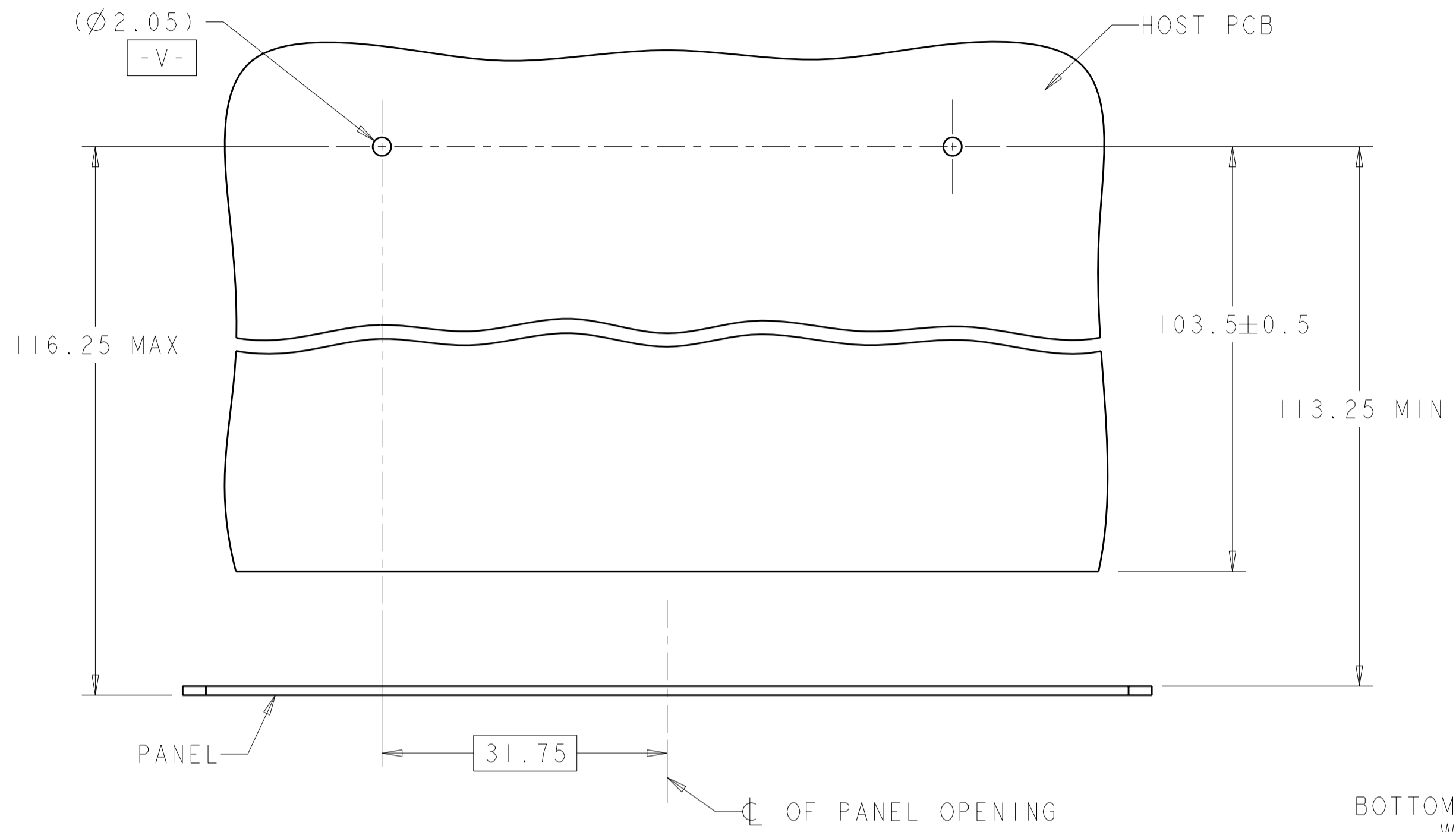
REAR ISOMETRIC VIEW
SCALE 2:1

2057930-1
PART NUMBER

THIS DRAWING IS A CONTROLLED DOCUMENT. DIMENSIONING AND TOLERANCING PER ASME Y14.5M-2009		DWN C. VALENTINE 19DEC2008	TE Connectivity	
DIMENSIONS: mm		CHK E. BRIGHT 19DEC2008		
TOLERANCES UNLESS OTHERWISE SPECIFIED:		APVD E. BRIGHT 19DEC2008	NAME BACKER PLATE ASSEMBLY, 100 GIG PLUGGABLE	
0 PLC ±0.13 1 PLC ±0.1 2 PLC ±0.05 3 PLC ± 4 PLC ±		PRODUCT SPEC 108-2399	SIZE A200779	CAGE CODE C-2057930
ANGLES ± FINISH		APPLICATION SPEC 114-13263	DRAWING NO 2057930	RESTRICTED TO -
MATERIAL		WEIGHT -	SCALE 4:1 SHEET 1 OF 2 REV A	
-		CUSTOMER DRAWING		

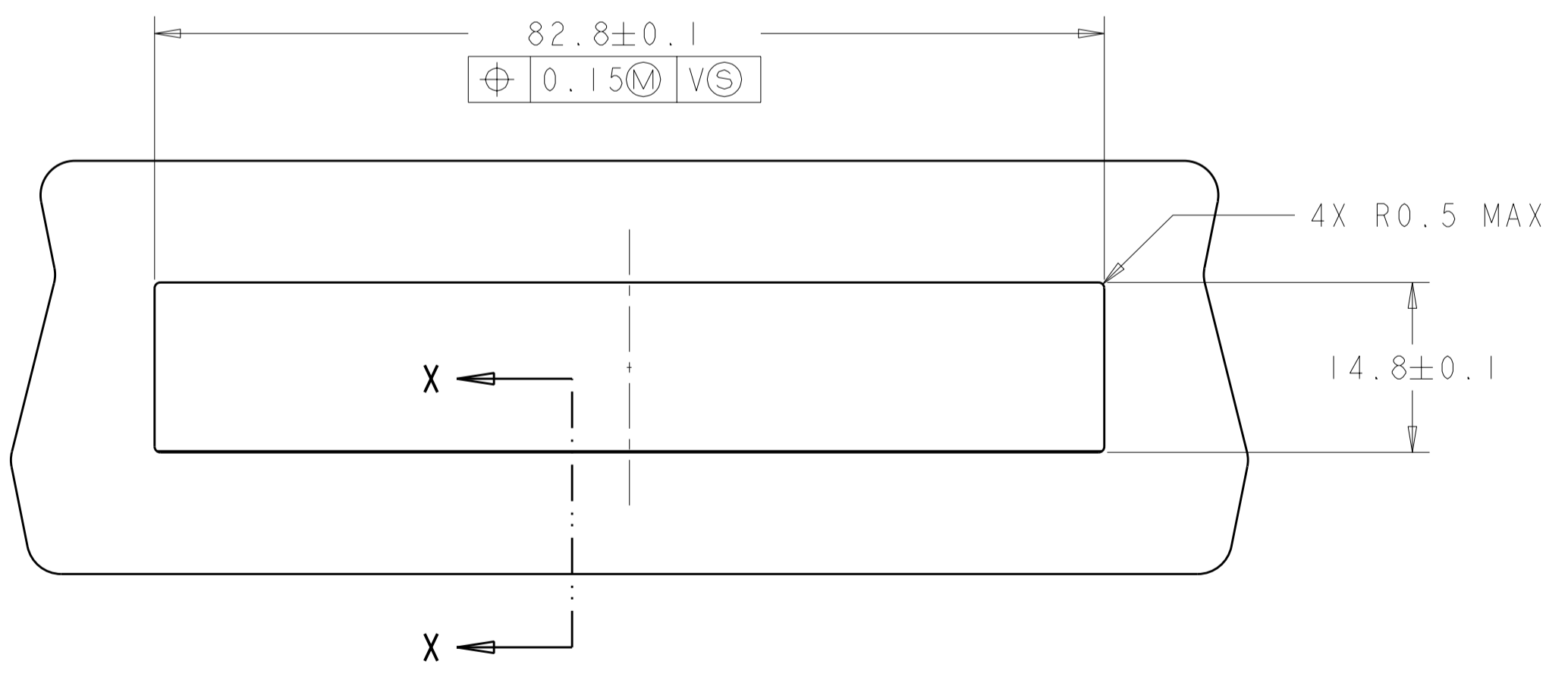
THIS DRAWING IS UNPUBLISHED. RELEASED FOR PUBLICATION 20
 © COPYRIGHT 20 ALL RIGHTS RESERVED.

LOC	DIST	REVISIONS					
GP	00	P	LTR	DESCRIPTION	DATE	DWN	APVD
		-		SEE SHEET 1			



0.1 ± 0.1
 BOTTOM OF PANEL OPENING
 WITH RESPECT TO TOP
 SURFACE OF HOST PCB

SECTION X-X
 SCALE 5:1



RECOMMENDED PANEL OPENING
 AND PANEL LOCATION WITH RESPECT TO HOST PCB
 SCALE 2:1

THIS DRAWING IS A CONTROLLED DOCUMENT. DIMENSIONING AND TOLERANCING PER ASME Y14.5M-2009		DWN C. VALENTINE 19DEC2008	TE Connectivity	
DIMENSIONS: mm		CHK E. BRIGHT 19DEC2008		
TOLERANCES UNLESS OTHERWISE SPECIFIED:		APVD E. BRIGHT 19DEC2008	NAME BACKER PLATE ASSEMBLY, 100 GIG PLUGGABLE	
0 PLC ±0.13	1 PLC ±0.1	PRODUCT SPEC 108-2399	SIZE A200779	CAGE CODE C-2057930
2 PLC ±0.05	3 PLC ±	APPLICATION SPEC 114-13263	DRAWING NO 114-13263	RESTRICTED TO -
4 PLC ±	ANGLES ±	WEIGHT -	SCALE 4:1	SHEET 2 OF 2
MATERIAL -	FINISH -	CUSTOMER DRAWING	REV A	

X-ON Electronics

Largest Supplier of Electrical and Electronic Components

Click to view similar products for [I/O Connectors](#) category:

Click to view products by [TE Connectivity](#) manufacturer:

Other Similar products are found below :

[571763P](#) [72.250.1628.2](#) [72.250.2428.2](#) [74720-0505](#) [76.350.0729.0](#) [76871-1403](#) [FCN-244F080-G/1](#) [FCN-260A9920](#) [MP-5T180MUNNA-005](#)
[PCR-E36PM](#) [PCS-XE26MA+](#) [G38A71314B](#) [1571250010](#) [157-22500-3](#) [MS3471L14-19P L/C](#) [91-569786-35H](#) [172501-4002](#) [172501-6002](#)
[FCN-260C008-A/L0](#) [FCN-260C024-AL0](#) [FCN-261Z008](#) [2000314-1](#) [200331-1](#) [PCR-E36FC+](#) [PCS-E28FS+](#) [PCS-XE26SLFD+](#) [PCS-](#)
[XE26SLFDT+](#) [G730VID08BDC24](#) [HDMR-29-01-S-SM-TR](#) [U90B2054081210](#) [UE86K842720321](#) [38113800006](#) [DP3AR020WQ1R200](#)
[Z4.102.0680.0](#) [500-1040](#) [500-1052](#) [500-1054](#) [ZP-4008-66L](#) [0709821002](#) [10-565995-597N](#) [DX40-20P\(55\)](#) [5554841-1](#) [U90B3054061110](#)
[U65-E04-4020](#) [ZPF00000000097891](#) [557-262M2-06C](#) [747360449](#) [10099439-003C-TRLF](#) [10137239-0021LF](#) [E9320-001-01](#)