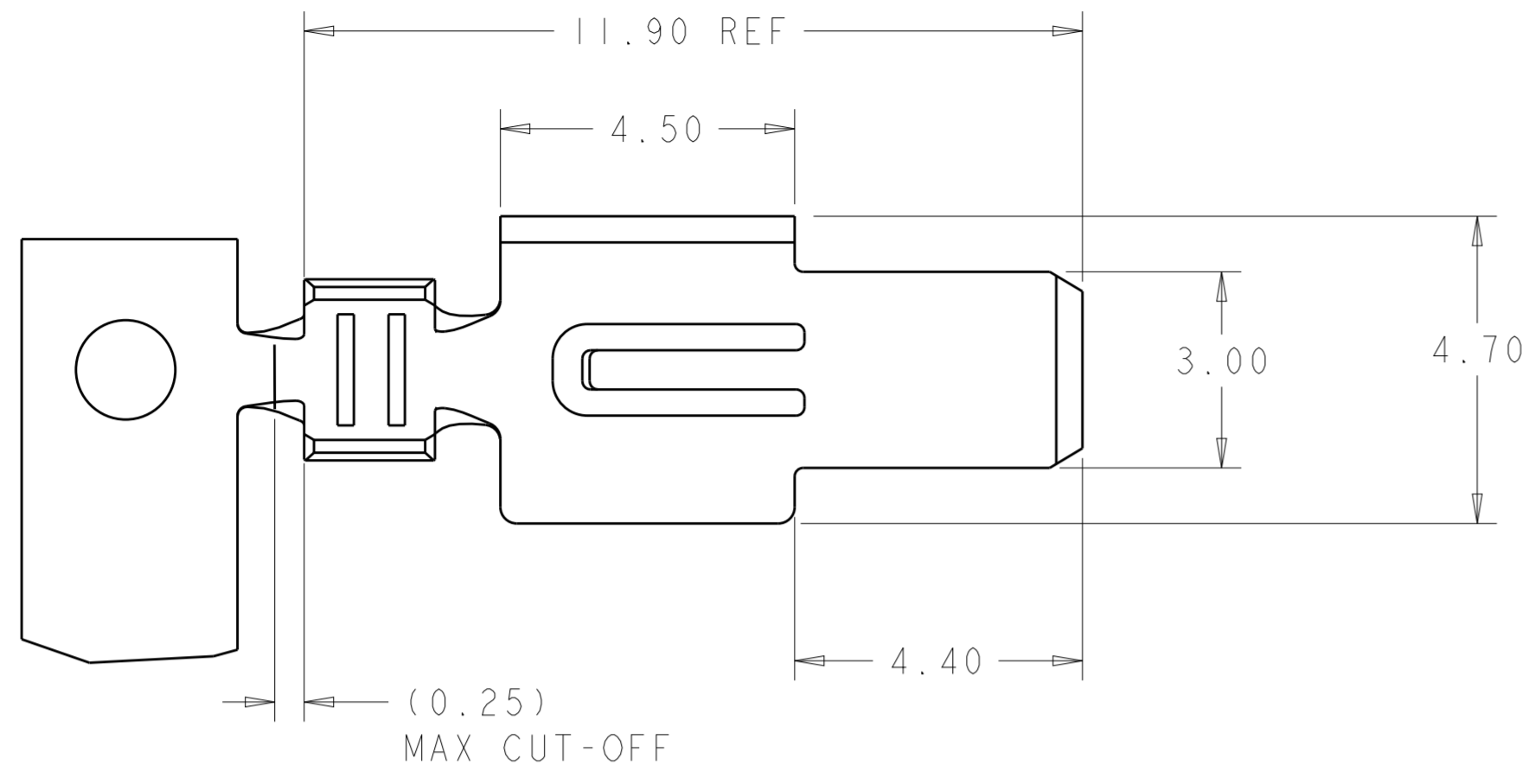


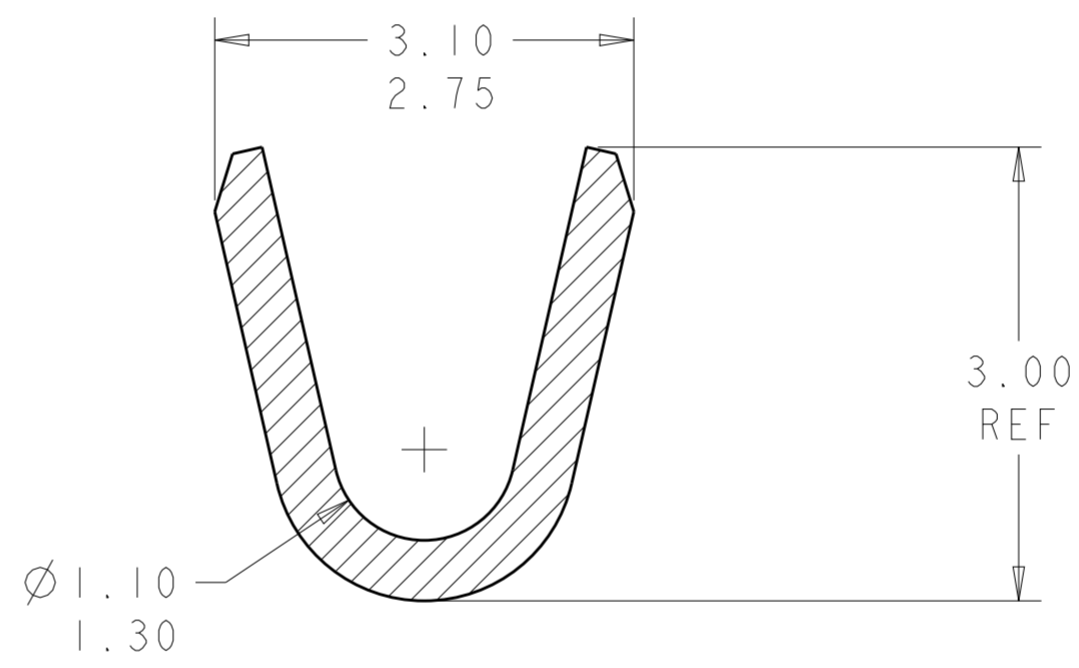
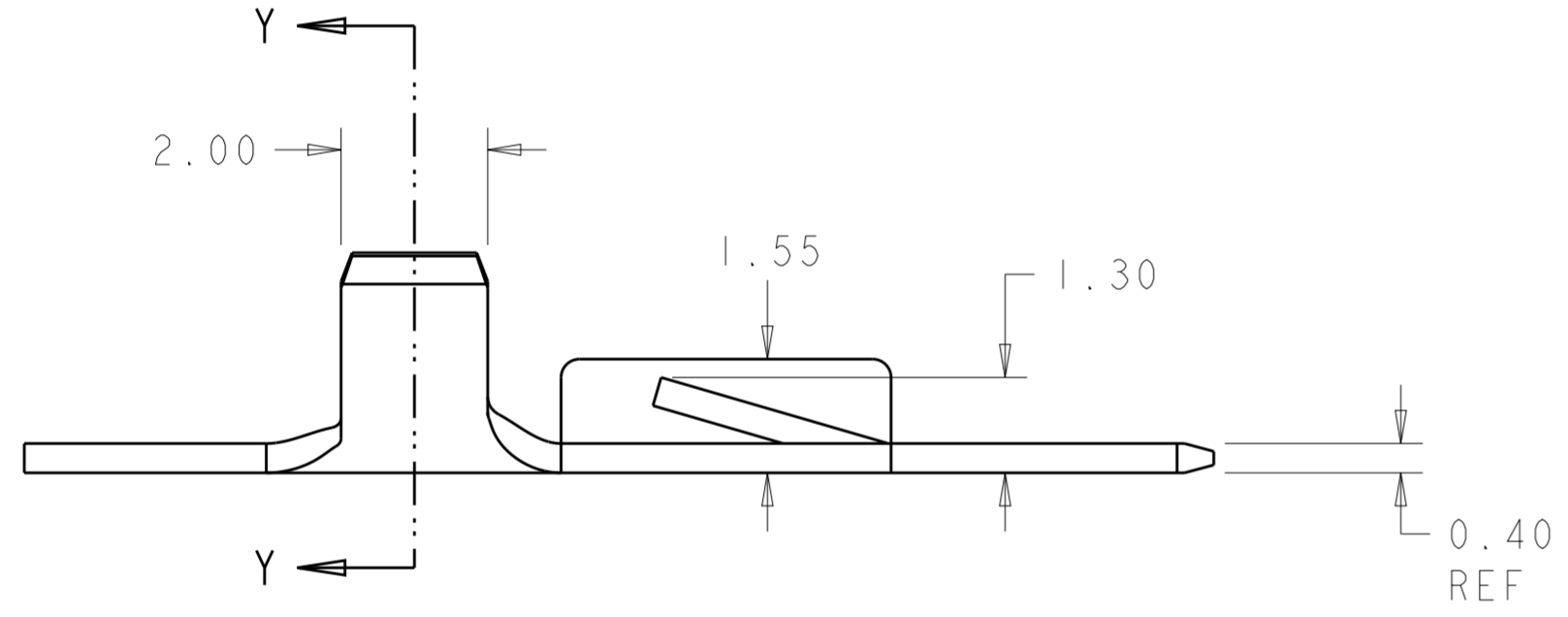
THIS DRAWING IS UNPUBLISHED. RELEASED FOR PUBLICATION 20
 © COPYRIGHT 20 BY - ALL RIGHTS RESERVED.

REVISIONS					
P	LTR	DESCRIPTION	DATE	DWN	APVD
A1		REVISED PER ECR-09-010783	13MAY2009	HMR	DD
A2		REVISED PER ECR-16-006474	10MAY2016	RS	DD

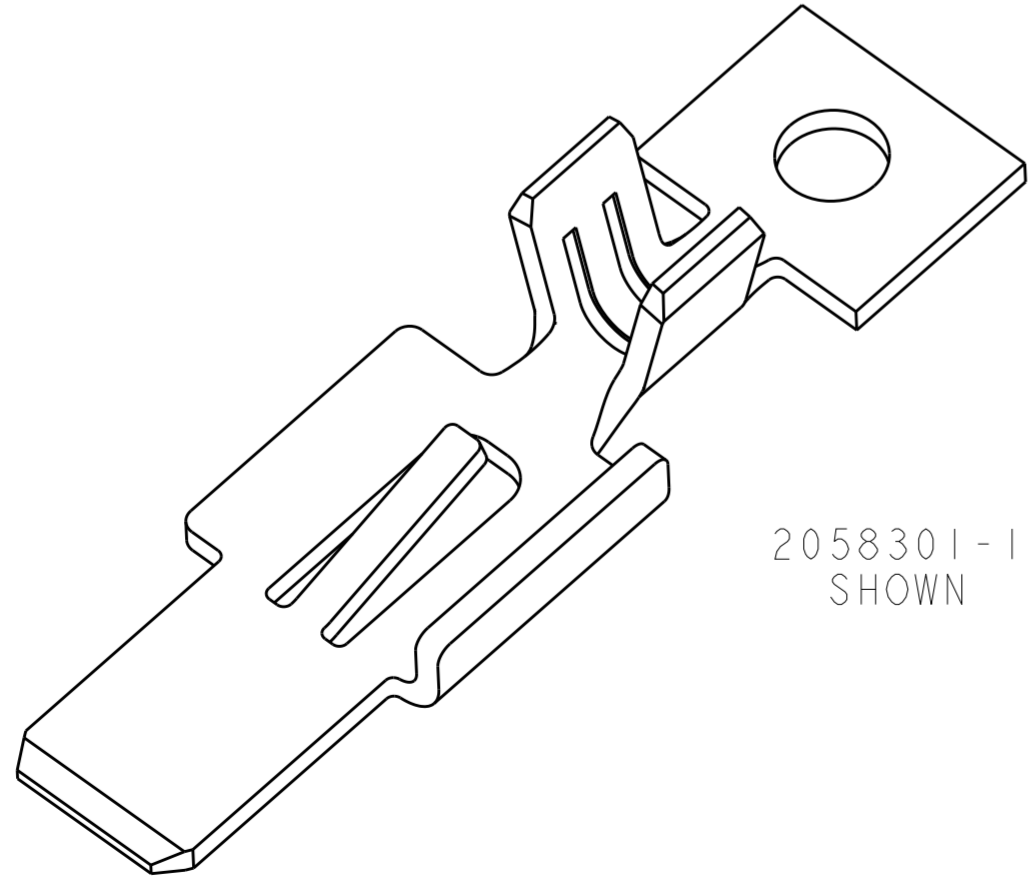


NOTES:

- 1. MATERIALS AND FINISH:
- COPPER ALLOY, FINISH: TIN
- 2. MUST COMPLY WITH DIRECTIVE 2002/95/EC (ROHS)
- 3. THIS PRODUCT HAS NOT COMPLETED VALIDATION TESTING
- 4. WIRE RANGE : 18-22 AWG, STRANDED
- 5. MAX INSULATION DIA: 2.03
- 6. RECOMMENDED TE HOUSING P/N X-2058299-X



SECTION Y-Y
SCALE 20:1



LOOSE PIECE	2058301-2
ON STRIP	2058301-1
REMARKS	PART NO.

THIS DRAWING IS A CONTROLLED DOCUMENT.		DWN S FISHER 07MAY2008	TE Connectivity		
		CHK R NARANG 07MAY2008			
DIMENSIONS: mm		APVD -	NAME BLADE CONTACT WIRE TO BOARD CONNECTOR		
TOLERANCES UNLESS OTHERWISE SPECIFIED:		PRODUCT SPEC 108-2387	APPLICATION SPEC		
0 PLC ±		114-13252	RESTRICTED TO		
1 PLC ±0.2		WEIGHT -	SIZE A2	CAGE CODE 00779	DRAWING NO C-2058301
2 PLC ±0.13		SCALE 10:1 SHEET 1 OF 1 REV A2			
3 PLC ±		CUSTOMER DRAWING			
4 PLC ±					
ANGLES ±					
FINISH					

X-ON Electronics

Largest Supplier of Electrical and Electronic Components

Click to view similar products for [Lighting Connectors](#) category:

Click to view products by [TE Connectivity](#) manufacturer:

Other Similar products are found below :

[293300-7](#) [293660-5](#) [CNX_H03_NTP](#) [30-9767-BU](#) [3605](#) [3-21030-1](#) [ZCH-110-RGB-I](#) [503471-0290](#) [ZCH-110-RGB-J](#) [217-0716-200](#)
[1954563-1](#) [1-293657-2](#) [2834036-1](#) [2834037-1](#) [1-2213222-4](#) [2-2213222-4](#) [2213222-4](#) [2834122-3](#) [2834122-5](#) [2834135-2](#) [FLA-R4142-30](#)
[FLA-R4162-30](#) [FLA-R2142-30](#) [FLA-R2141-30](#) [FLA-R2162-30](#) [FLA-R2161-30](#) [FLA-R0161-30](#) [FLA-R0141-30](#) [FLA-R0142-30](#) [FLA-](#)
[R0162-30](#) [FLA-C00-00](#) [DGA00010553](#) [CNXV04NTP](#) [104128-0610](#) [503485-0000 \(Cut Strip\)](#) [503485-0000 \(Loose Piece\)](#) [503485-0000](#)
[\(MINI Reel\)](#) [1-2834074-2](#) [1-2834074-3](#) [1357-AC PLUG W2C \(CHINA\)](#) [1357-AC PLUG W2 \(USA\)](#) [104266-0110](#) [2106212-1](#) [2-2834074-2](#)
[104266-0210](#) [293470-1](#) [293651-2](#) [293651-4](#) [1-2834006-2](#) [293651-1](#)