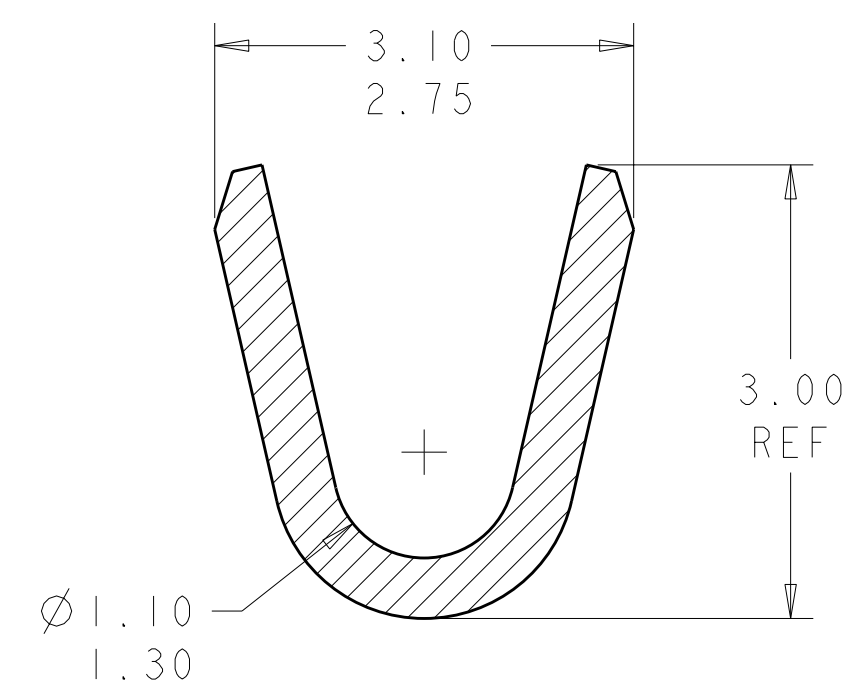
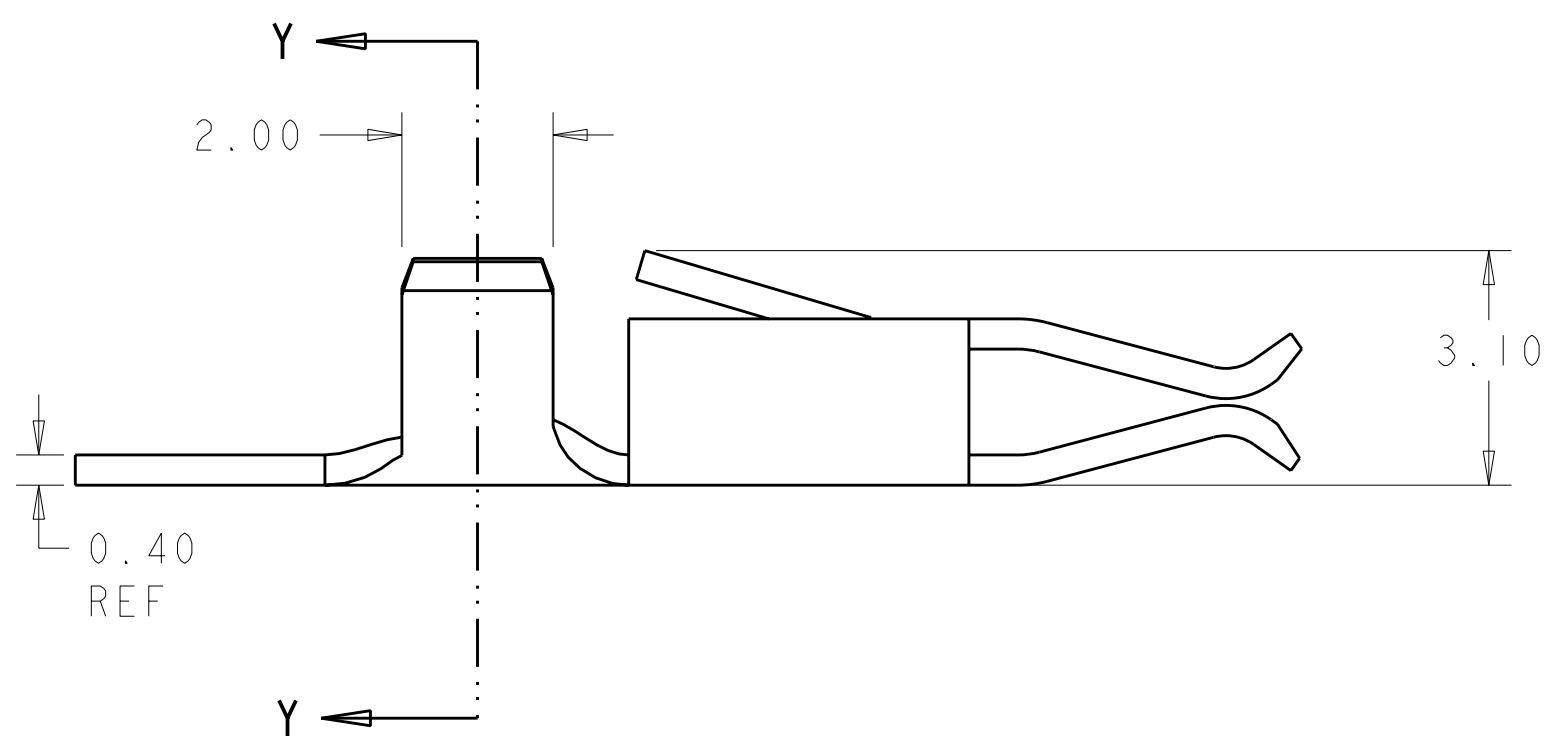
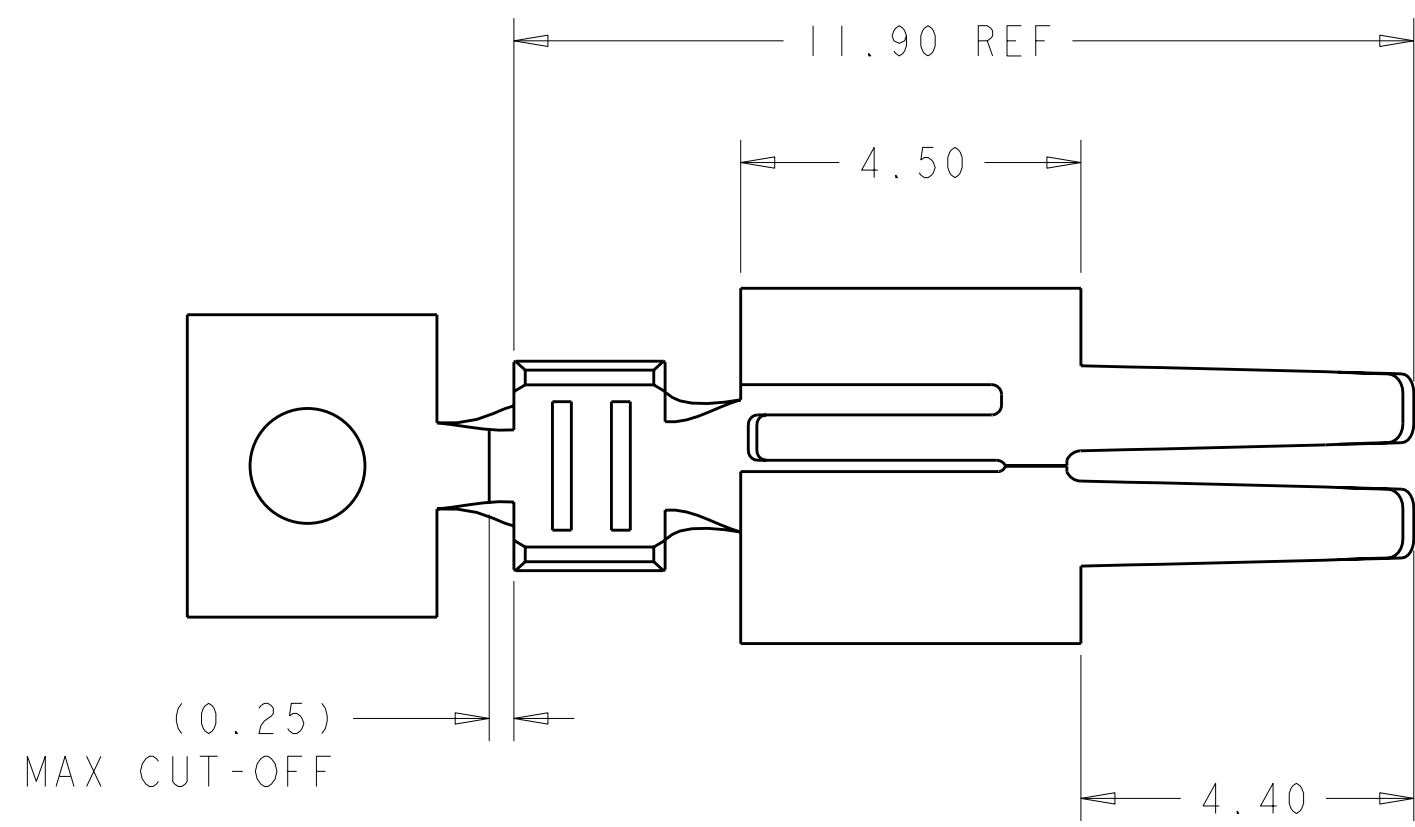


THIS DRAWING IS UNPUBLISHED. RELEASED FOR PUBLICATION 20  
 © COPYRIGHT 20 BY TYCO ELECTRONICS CORPORATION. ALL RIGHTS RESERVED.

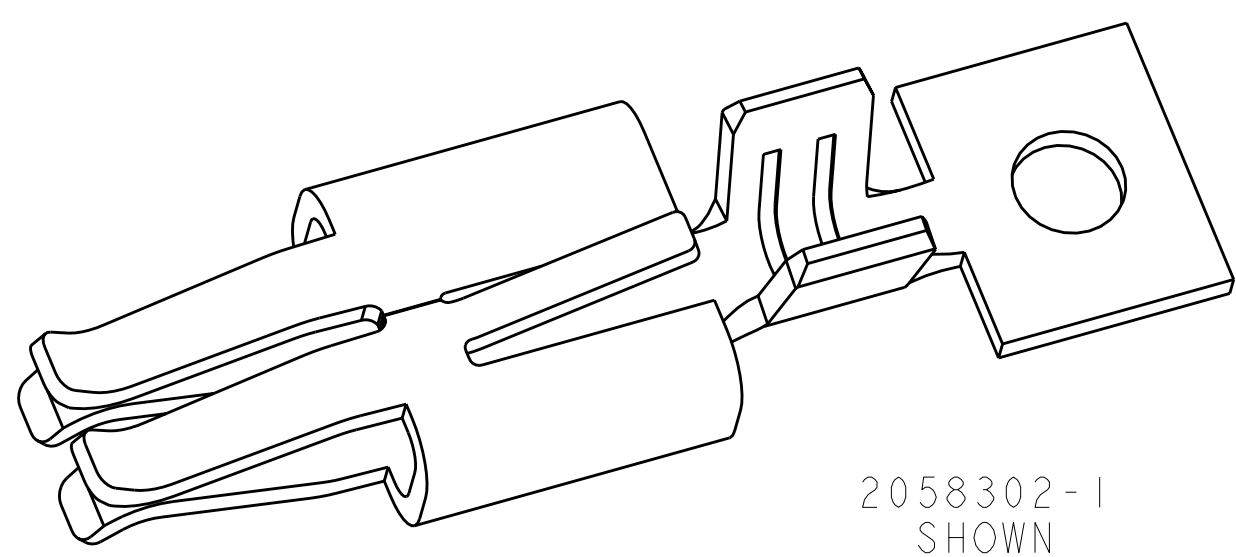
| LOC |     | DIST        |                           | REVISIONS |      |    |  |
|-----|-----|-------------|---------------------------|-----------|------|----|--|
| P   | LTR | DESCRIPTION | DATE                      | DWN       | APVD |    |  |
| -   | -   | AI          | REVISED PER ECR-09-010783 | 13MAY2009 | HMR  | DD |  |
|     |     |             |                           |           |      |    |  |
|     |     |             |                           |           |      |    |  |



SECTION Y-Y  
SCALE 20:1

NOTES:

- 1. MATERIALS AND FINISH:  
- COPPER ALLOY, FINISH: TIN
- 2. MUST COMPLY WITH DIRECTIVE 2002/95/EC (ROHS)
- 3. THIS PRODUCT HAS NOT COMPLETED VALIDATION TESTING
- 4. WIRE RANGE : 18-22 AWG, STRANDED
- 5. MAX INSULATION DIA: 2.03
- 6. RECOMMENDED TE HOUSING P/N X-2058299-X



|             |           |
|-------------|-----------|
| LOOSE PIECE | 2058302-2 |
| ON STRIP    | 2058302-1 |
| REMARKS     | PART NO.  |

|   |  |                               |   |                        |
|---|--|-------------------------------|---|------------------------|
| THIS DRAWING IS A CONTROLLED DOCUMENT FOR TYCO ELECTRONICS CORPORATION. IT IS SUBJECT TO CHANGE AND THE CONTROLLING ENGINEERING ORGANIZATION SHOULD BE CONTACTED FOR THE LATEST REVISION. |  | DWN<br>S. FISHER<br>07MAY2008 | Tyco Electronics<br>Harrisburg, PA 17105-3608     |                        |
| DIMENSIONS:<br>mm   |  | CHK<br>R. NARANG<br>07MAY2008 | NAME<br>SOCKET CONTACT<br>WIRE TO BOARD CONNECTOR |                        |
| TOLERANCES UNLESS OTHERWISE SPECIFIED:<br>0 PLC ±<br>1 PLC ±<br>2 PLC ±0.13<br>3 PLC ±<br>4 PLC ±<br>ANGLES ±<br>FINISH   |  | APVD<br>-                     | PRODUCT SPEC<br>108-2387                          | RESTRICTED TO<br>-     |
| MATERIAL  |  | APPLICATION SPEC<br>114-13252 | SIZE<br>A200779                                   | CAGE CODE<br>C-2058302 |
| CUSTOMER DRAWING  |  | WEIGHT<br>-                   | SCALE<br>10:1                                     | SHEET<br>1 OF 1        |
|   |  | REV<br>AI                     |   |                        |

## X-ON Electronics

Largest Supplier of Electrical and Electronic Components

*Click to view similar products for [Lighting Connectors](#) category:*

*Click to view products by [TE Connectivity](#) manufacturer:*

Other Similar products are found below :

[293300-7](#) [293660-5](#) [CNX\\_H03\\_NTP](#) [30-9767-BU](#) [3605](#) [3-21030-1](#) [ZCH-110-RGB-I](#) [503471-0290](#) [ZCH-110-RGB-J](#) [217-0716-200](#)  
[1954563-1](#) [1-293657-2](#) [2834036-1](#) [2834037-1](#) [1-2213222-4](#) [2-2213222-4](#) [2213222-4](#) [2834122-3](#) [2834122-5](#) [2834135-2](#) [FLA-R4142-30](#)  
[FLA-R4162-30](#) [FLA-R2142-30](#) [FLA-R2141-30](#) [FLA-R2162-30](#) [FLA-R2161-30](#) [FLA-R0161-30](#) [FLA-R0141-30](#) [FLA-R0142-30](#) [FLA-](#)  
[R0162-30](#) [FLA-C00-00](#) [DGA00010553](#) [CNXV04NTP](#) [104128-0610](#) [503485-0000 \(Cut Strip\)](#) [503485-0000 \(Loose Piece\)](#) [503485-0000](#)  
[\(MINI Reel\)](#) [1-2834074-2](#) [1-2834074-3](#) [1357-AC PLUG W2C \(CHINA\)](#) [1357-AC PLUG W2 \(USA\)](#) [104266-0110](#) [CNXV02NTP](#) [2106212-1](#)  
[2-2834074-2](#) [104266-0210](#) [293470-1](#) [293651-2](#) [293651-4](#) [1-2834006-2](#)