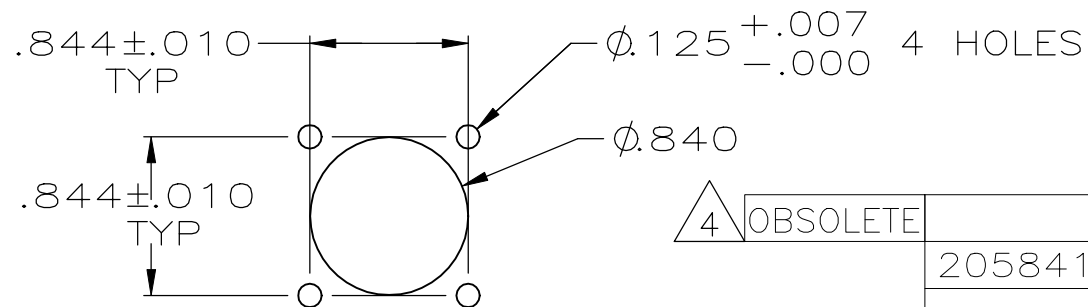
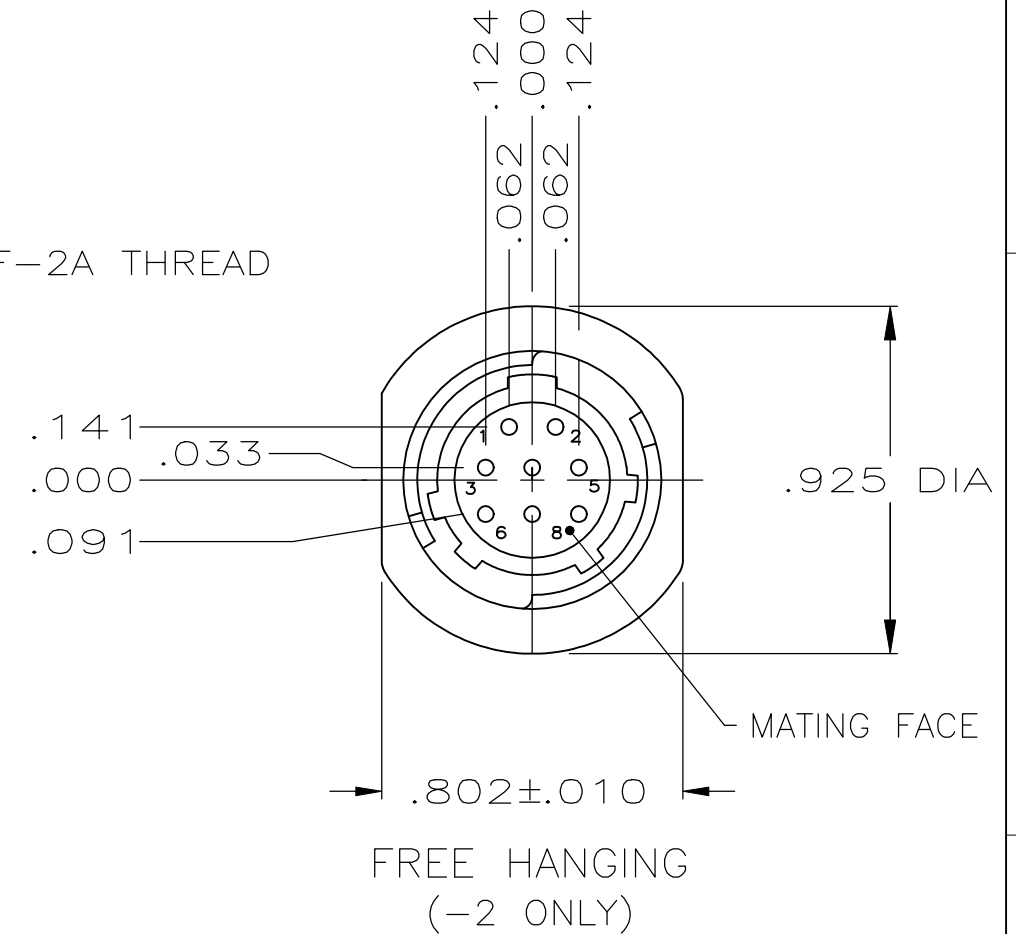
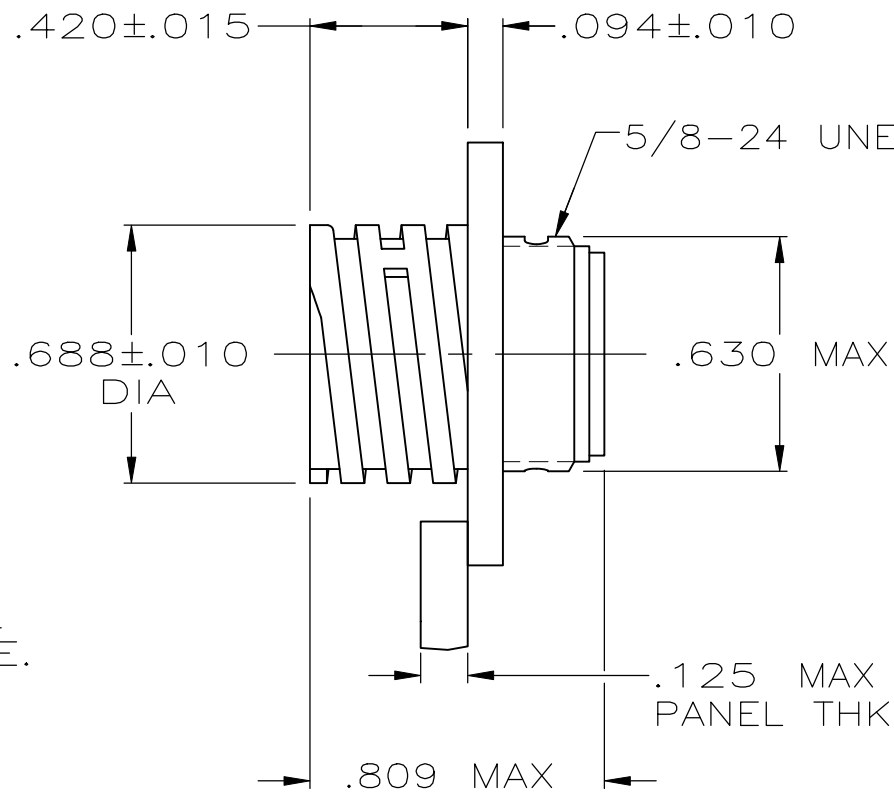
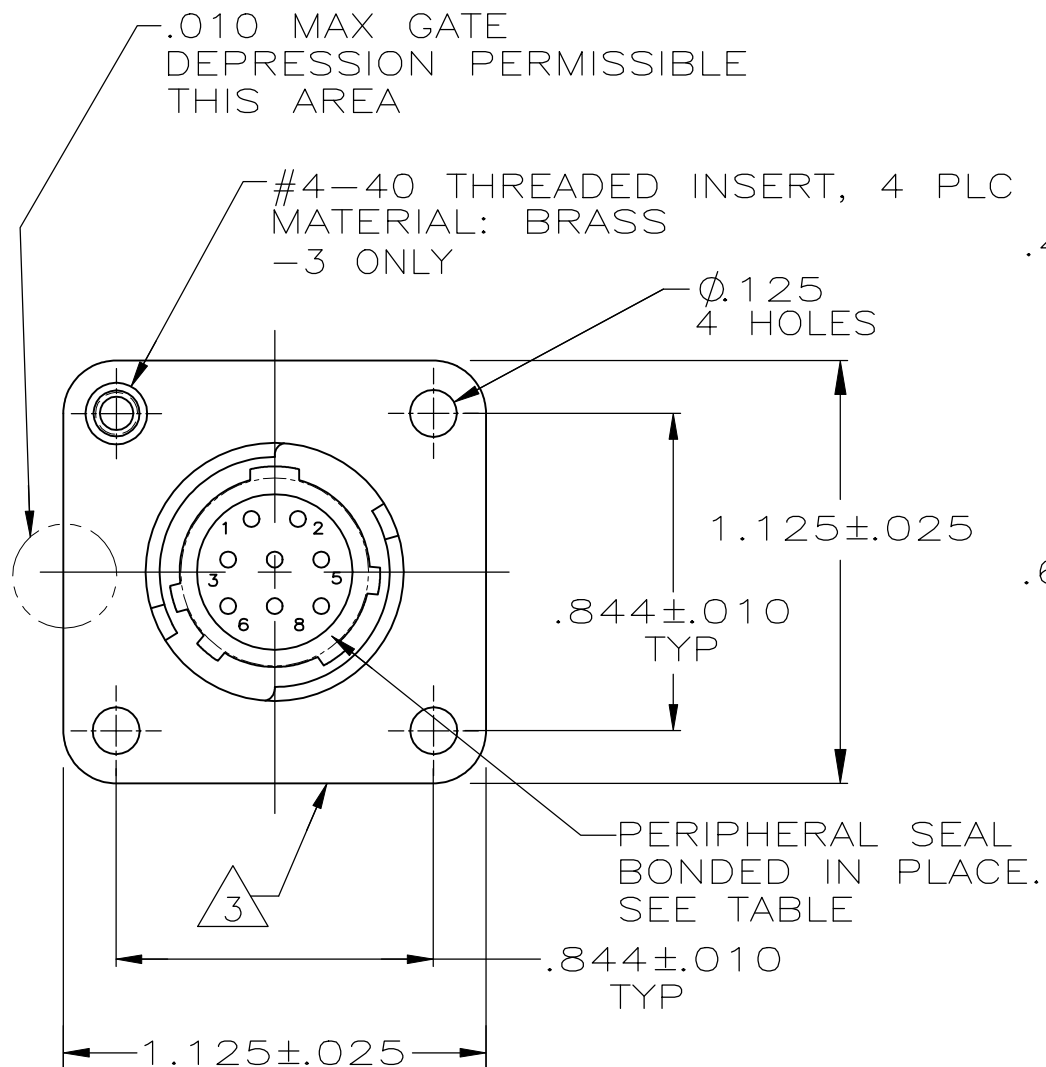


P	LTR	DESCRIPTION	DATE	DWN	APVD
	N4	REVISED PER ECO-13-019645	14DEC2013	KH	MZ
	P	REVISED PER ECO-18-000972	24JUL2018	RS	MZ



PANEL CUTOUT SCALE 1:1

4 OBSOLETE		YES	YES	205841-4
	205841-1 & 205841-3	YES	NO	205841-3
	205841-2	NO	NO	205841-2
	205841-1	NO	NO	205841-1

PART NUMBER LOCATED ON FLANGE EDGE	THREADED INSERTS	PERIPHERAL SEAL	PART NUMBER

1 CONTACT CAVITIES IDENTIFIED BY CHARACTERS ON FRONT AND REAR FACES OF CONNECTOR.

2 WILL ACCEPT (8) SIZE 20 PIN CONTACTS.

3 AMP LOGO AND PART NUMBER LOCATED ON ANY FLANGE EDGE SEE CHART FOR PART NUMBER

4 OBSOLETE PARTS: OBSOLETE CIS STREAMLINING PER D.RENAUD/D.SINISI

THIS DRAWING IS A CONTROLLED DOCUMENT.		DWN A.STAUB BG 4/5/91	<b>STE</b> TE Connectivity Ltd.	
DIMENSIONS: INCHES		CHK W.G.LENKER 7-24-92		
TOLERANCES UNLESS OTHERWISE SPECIFIED: 0 PLC ± - 1 PLC ± - 2 PLC ± - 3 PLC ± .005 4 PLC ± - ANGLES ± -		APVD -	NAME RECEPTACLE ASSEMBLY, STD SEX, SERIES 2, 11-8, CPC	
MATERIAL THERMOPLASTIC, BLK		FINISH -	PRODUCT SPEC 108-10024	RESTRICTED TO -
		WEIGHT	APPLICATION SPEC -	SIZE A3
		CUSTOMER DRAWING	SCALE 2:1	CAGE CODE 00779
			DRAWING NO C-205841	SHEET 1 of 1
				REV P

## X-ON Electronics

Largest Supplier of Electrical and Electronic Components

*Click to view similar products for [Standard Circular Connector](#) category:*

*Click to view products by [TE Connectivity](#) manufacturer:*

Other Similar products are found below :

[5M2530B10P](#) [600259N006](#) [600273N007](#) [6134-336-13149](#) [6134-337-11149](#) [6134-337-2390](#) [6134-341-17149](#) [6280-4SG-516](#) [6280-7SG-3DC](#)  
[6290](#) [6291A](#) [66200A-10](#) [680-SMG](#) [681-PMG](#) [CXS3102A14S2P](#) [CXS3102A181S](#) [7271-6SG-300](#) [7282-3PG-300-CH3](#) [75-474618-01S](#) [75-](#)  
[474618-04P](#) [75-474618-04S](#) [799539-000](#) [MI8-SE](#) [805-005-07NF11-19PC](#) [805-005-07NF15-7PA](#) [8280-4PG-516](#) [8280-7PG-519](#) [8282-5PG-](#)  
[519](#) [836783-1](#) [MP-4102-25P-C](#) [862256-1](#) [864019-2](#) [866857-1](#) [867865-1](#) [PT01SP-14-18P](#) [PT08P-14-5S](#) [120-1833-000](#)  
[QCM019PC2DC012B](#) [1-2069279-1](#) [121583-0217](#) [121667-0020](#) [129591AU](#) [1000B BULK](#) [RD10A16-19-P6CS051/1](#) [RD10A20-31-](#)  
[P8CS051/1](#) [RD16A14-12-S6CS051/2](#) [1301240290](#) [1301240347](#) [1301860202](#) [1301240268](#) [1301240275](#)