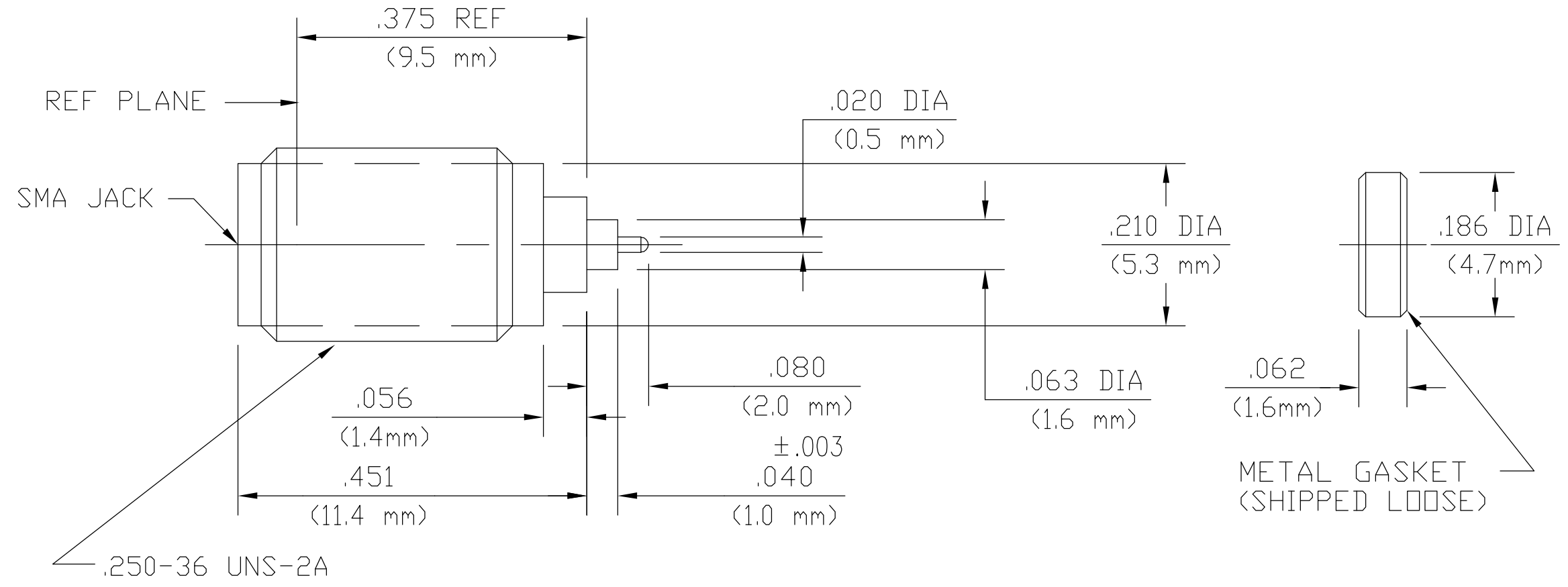
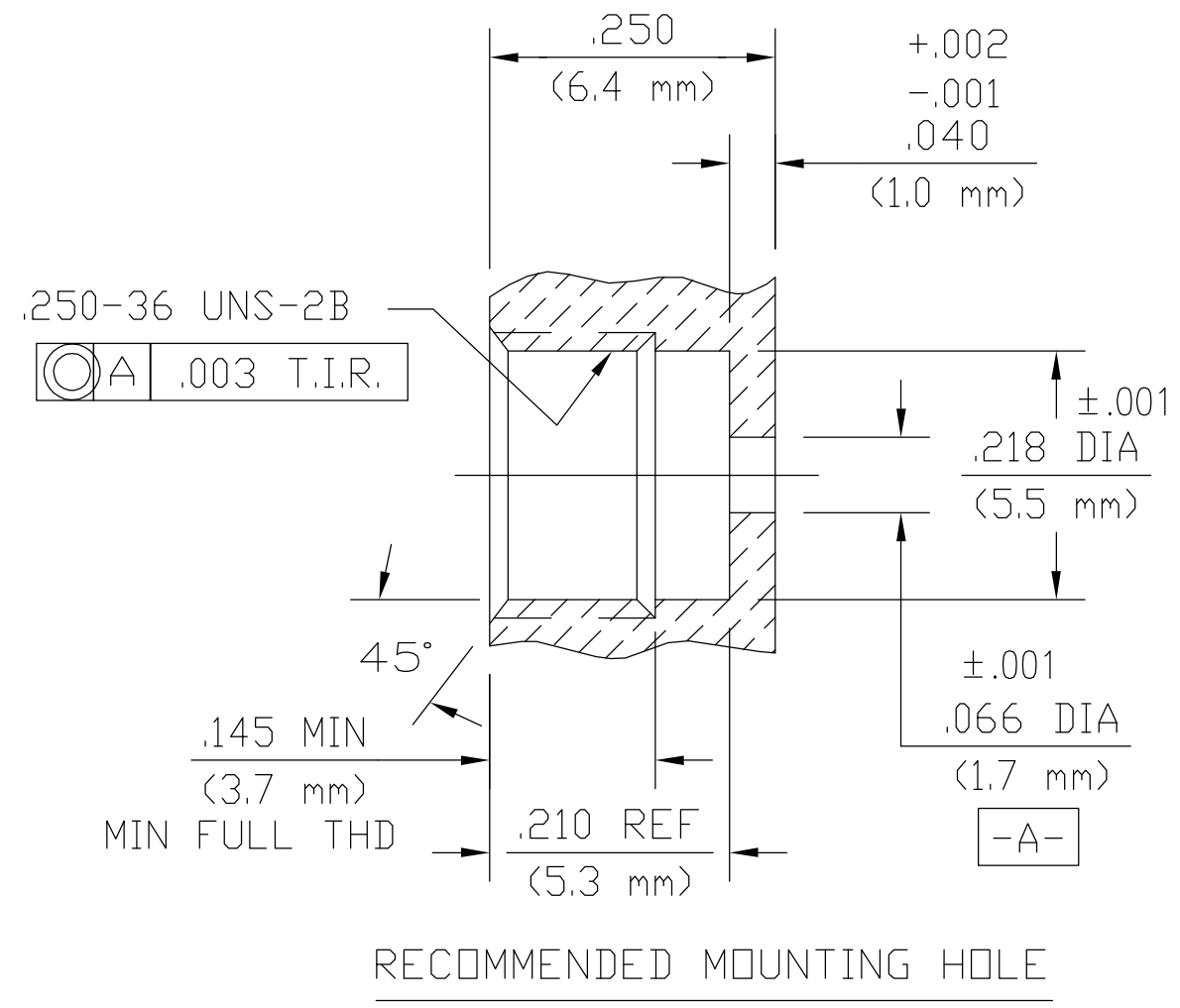


THIS DRAWING IS UNPUBLISHED. RELEASED FOR PUBLICATION
 © COPYRIGHT BY TYCO ELECTRONICS CORPORATION. ALL RIGHTS RESERVED.

LOC	DIST	REVISIONS					
HC	00	P	LTR	DESCRIPTION	DATE	DWN	APVD
		A		REV PER ECO 06-002539	07APR06	GB	JH



6053226-1
 PART NUMBER

HOUSING	STAINLESS STEEL PER ASTM-A484 AND ASTM-A582, TYPE 303	GOLD PLATE PER ASTM B 488
DIELECTRIC	TFE FLUOROCARBON PER ASTM D 1710	N/A
CTR CONTACT	BERYLLIUM COPPER PER ASTM B196	GOLD PLATE PER ASTM B 488
CONTACT EXT	IRON-NICKEL-COBALT ALLOY PER MIL-I-23011 (KOVAR)	GOLD PLATE PER ASTM B 488
METAL GASKET	SAE C12L14 STEEL	SILVER PLATE PER ASTM B 700
HERMETIC SEAL	GLASS BEAD	N/A
COMPONENT	MATERIAL	FINISH

ELECTRICAL	MECHANICAL	ENVIRONMENTAL
Nominal Impedance (Ohms) 50	Interface Dimensions MIL-STD-348A	TEMPERATURE RATING -65°C TO +125°C
Frequency Range (GHz) DC - 26.5	FIG 310.2	Vibration - MIL-STD-202, Method 204, Condition D, 20G's
Volt Rating (VRMS MAX) 335 @ Sea Level	Recommended Mating	Shock - MIL-STD-202, Method 213, Condition I
VSWR 1.04 + (.009 F(GHz))	Torque N/A	Thermal Shock MIL-STD-202, Method 107, Condition B
Insertion Loss (dB MAX) .05√F(GHz)	Mating Characteristics:	EXCEPT HIGH TEMP 115°C
RF Leakage (dB MIN) -(100 - F(GHz))	Insertion (MAX Lbs) 3.0	Moisture Resistance - MIL-STD-202, Method 106
Corona, 70,000 Ft (VRMS MIN) 333	Withdrawal (MIN Oz) 1.0	Corrosion - MIL-STD-202, Method 101, Condition B, 5% salt spray
Dielectric Withstanding Voltage (VRMS MIN) 1000 @ Sea Level	Force To Engage (In/Lbs MAX) 2.0	Leak Test - MIL-STD-202, Method 112, Condition C, Procedure I, 1 x 10 CC/Sec
Contact Resistance (Milliohms MAX)	Force To Disengage (In/Lbs MAX) 2.0	
Center Contact 10.0	Center Contact Captivation	
Outer Contact 2.0	Axial 6.0 Lbs	
RF High Potential (VRMS MIN @ 5 MHz) 670 @ Sea Level	Radial N/A	
I.R.(Megohms) 5000	Weight (Grams) T.B.D.	

THIS DRAWING IS A CONTROLLED DOCUMENT.

DIMENSIONS: INCHES (mm)	TOLERANCES UNLESS OTHERWISE SPECIFIED:	DWN M.Y. 18APR91	Tyco Electronics Corporation Harrisburg, PA 17105-3608
0 PLC ± -	1 PLC ± -	CHK C.W. 18APR91	
	2 PLC ± -	APVD G.D.D. 18APR91	NAME
	3 PLC ± .005	PRODUCT SPEC	SMA PANEL FEEDTHRU JACK RECEPTACLE HERMETICALLY SEALED (2058-5119-00)
MATERIAL SEE NOTES	FINISH SEE NOTES	APPLICATION SPEC 408-4847	SIZE CAGE CODE DRAWING NO
		WEIGHT -	A2 00779 C=6053226
		CUSTOMER DRAWING	RESTRICTED TO

SCALE 5:1 SHEET 1 of 1 REV A

X-ON Electronics

Largest Supplier of Electrical and Electronic Components

Click to view similar products for [RF Connectors / Coaxial Connectors](#) category:

Click to view products by [TE Connectivity](#) manufacturer:

Other Similar products are found below :

[8915-1511-000](#) [89674-0827](#) [6001-7071-019](#) [6002-7051-003](#) [6002-7551-202](#) [6059674-1](#) [619550-1](#) [630059-000](#) [M39030/3-01N](#) [6500-7071-046](#) [6769](#) [CX050L2AQ](#) [7002-1541-010](#) [7002-1542-011](#) [7004-1512-000](#) [7009-1511-004](#) [7010-1511-000](#) [7029-1511-060](#) [7101-1541-010](#) [7101-1571-002](#) [7105-1521-002](#) [7145-1521-002](#) [7203-1571-003](#) [7209-1511-011](#) [7210-1511-015](#) [7210-1511-019](#) [73137-5015](#) [73216-2241](#) [73404-2300](#) [7405-1521-005](#) [7405-1521-802](#) [8527](#) [8547](#) [FS11V](#) [877931](#) [9049-9513-000](#) [9074-9513-000](#) [9101-9573-002](#) [910A205F](#) [9130-9573-002](#) [PL11SC-026](#) [PL375-33](#) [PL40-5](#) [PL74C-221](#) [PL75MC-217](#) [PL803-7](#) [1200690078](#) [1-201144-1](#) [R107003010W](#) [R110A172100](#)