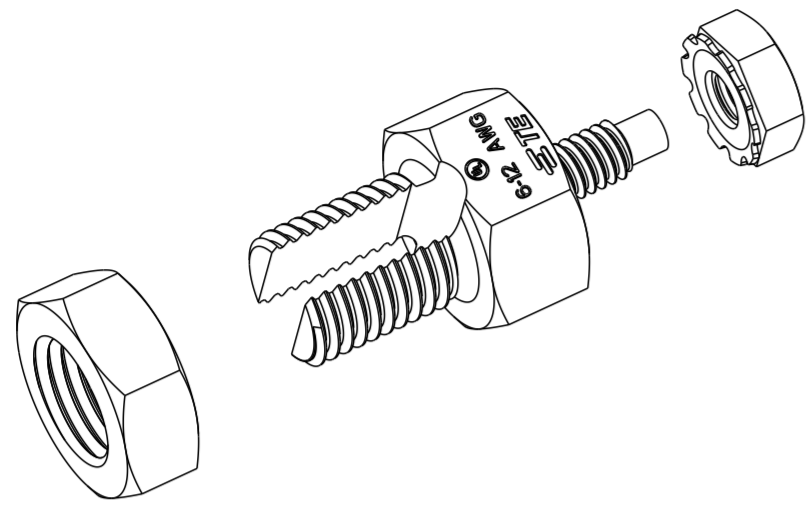


THIS DRAWING IS UNPUBLISHED. RELEASED FOR PUBLICATION 20  
 © COPYRIGHT 20 BY TYCO ELECTRONICS CORPORATION. ALL RIGHTS RESERVED.

LOC		DIST		REVISIONS			
P	LTR	DESCRIPTION	DATE	DWN	APVD		
	B	REVISED ECO-10-006100	22MAR2010	SW	MS		
	C	REVISED ECO-13-007617	06MAY2013	YZ	DT		



SCALE 2:1

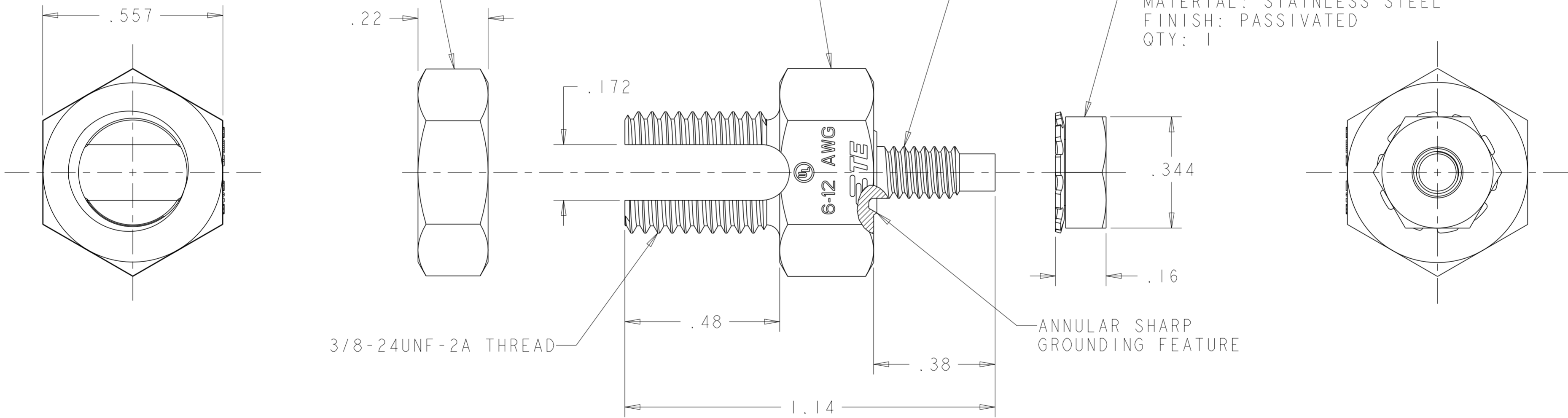
1. PARTS PACKAGED UNASSEMBLED.
2. PARTS INDIVIDUALLY BULK PACKED & SHIPPED AS A UNIT PACKAGE.
3. THIS PRODUCT HAS COMPLETED UL CERTIFICATION FOR GROUNDING AND BONDING EQUIPMENT (E69905).
4. INSTRUCTION SHEET 408-10262.

NUT, HEX, 3/8-24UNF-2B  
 MATERIAL: STAINLESS STEEL  
 FINISH: PASSIVATED  
 QTY: 1

GROUNDING BOLT  
 MATERIAL: STAINLESS STEEL  
 FINISH: PASSIVATED  
 QTY: 1

#8-32UNC-2A THREAD

NUT-WASHER, KEPS, #8-32UNC-2B  
 MATERIAL: STAINLESS STEEL  
 FINISH: PASSIVATED  
 QTY: 1



3/8-24UNF-2A THREAD

ANNULAR SHARP GROUNDING FEATURE

2058729-1

PART NO

THIS DRAWING IS A CONTROLLED DOCUMENT FOR TYCO ELECTRONICS CORPORATION. IT IS SUBJECT TO CHANGE AND THE CONTROLLING ENGINEERING ORGANIZATION SHOULD BE CONTACTED FOR THE LATEST REVISION.		DWN D. E. STAHL 05NOV2008	Tyco Electronics Harrisburg, PA 17105-3608	
DIMENSIONS: INCHES		CHK S. GOOD 05NOV2008	NAME WIRE GROUNDING ASSEMBLY 6-12 AWG, SOLID WIRE	
TOLERANCES UNLESS OTHERWISE SPECIFIED: 0 PLC ±.1 1 PLC ±.02 2 PLC ±.010 3 PLC ±.010 4 PLC ±. ANGLES ±.		APVD S. GHERARDINI 05NOV2008	PRODUCT SPEC 108-2380	
MATERIAL SEE CALLOUTS		FINISH SEE CALLOUTS	APPLICATION SPEC 114-13242 4	RESTRICTED TO -
CUSTOMER DRAWING		WEIGHT -	SIZE A200779	CAGE CODE C-2058729
SCALE 4:1		SHEET 1 OF 1		REV C

## X-ON Electronics

Largest Supplier of Electrical and Electronic Components

*Click to view similar products for [Solar Connectors / Photovoltaic Connectors](#) category:*

*Click to view products by [TE Connectivity](#) manufacturer:*

Other Similar products are found below :

[1740699-7](#) [1971861-4](#) [1971131-4](#) [1971858-3](#) [1971861-3](#) [PV-090508-M10](#) [PV-CM-S 2 5-6 \(-\)](#) [2270184-3](#) [2270154-2](#) [2270226-4](#) [PV-090508-M06-N](#) [1987558-2](#) [PV-090506-F03](#) [UTXPM](#) [UTXPF](#) [UTXCMB6AM](#) [1627092](#) [1017635](#) [1017636](#) [1-2306314-1](#) [1-2306314-2](#) [1302440201](#) [2-1971862-2](#) [H4CMC6DM](#) [1705996](#) [1705995](#) [1971858-2](#) [5-2306317-2](#) [1704926](#) [H4CFC4DIS](#) [H4CMC4DC](#) [H4CFC4DC](#) [H4CMC4DM](#) [H4CFC4DM](#) [H4CFC6DM](#) [H4CFM2DI](#) [H4CFM6DI](#) [H4CMC2DI](#) [H4CMC8DM](#) [H4CMM6DI](#) [H4CMC4DMS](#) [H4CMC4DIS](#) [H4PF](#) [H4PM](#) [HGLUI](#) [PWJ-03BMMB-LL8001](#) [UTXCFA0AM](#) [UTXCFA4BMH](#) [UTXCMA0AM](#) [UTXCMA4AM](#)