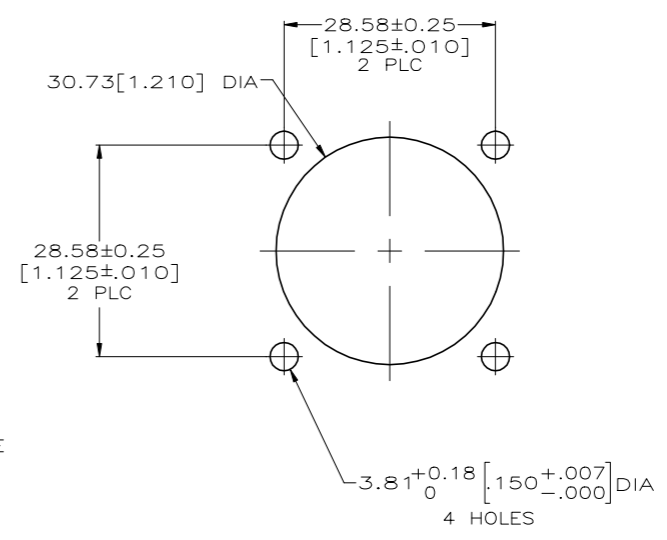
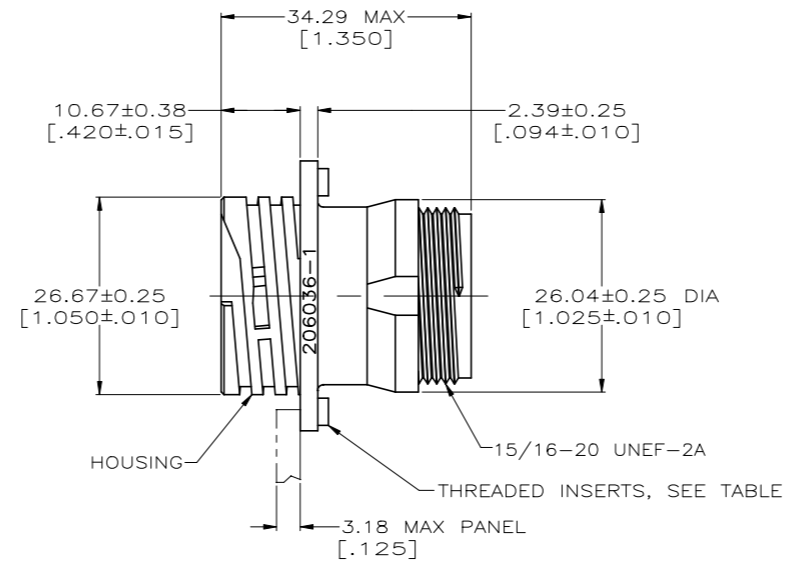
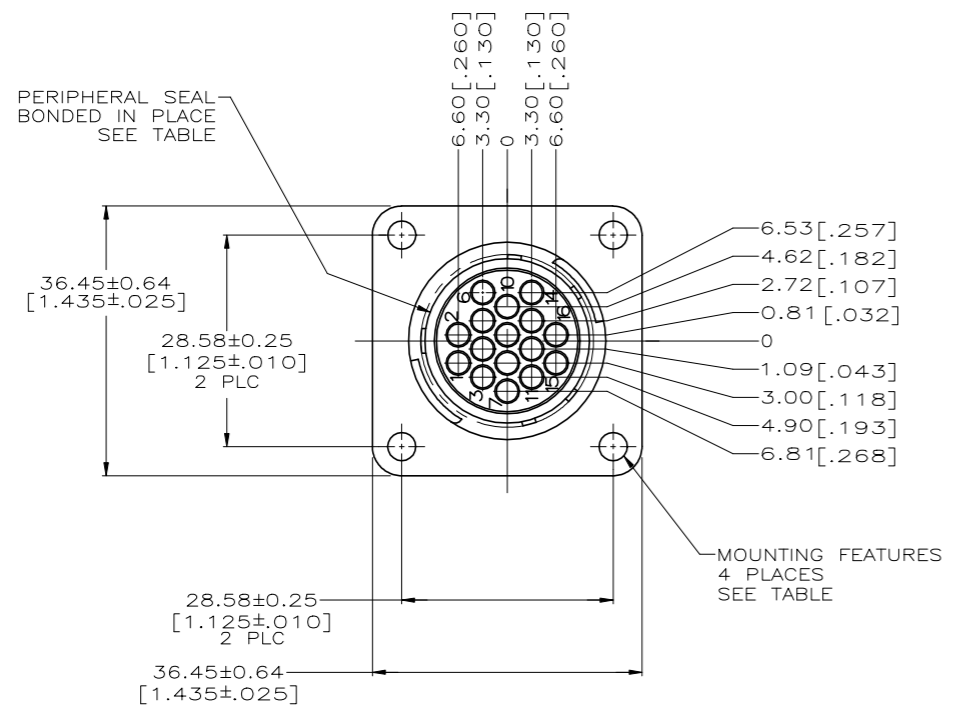


THIS DRAWING IS UNPUBLISHED. RELEASED FOR PUBLICATION
 © COPYRIGHT - By - ALL RIGHTS RESERVED.

REVISIONS					
#	LTR	DESCRIPTION	DATE	DNW	APVD
T		REVISED PER ECO-13-016365	19OCT2013	KH	MZ
U		REVISED PER ECO-19-011232	07AUG2019	RS	MZ
V		REVISED PER ECO-19-014836	18OCT2019	RS	MZ

- 1 HOUSING: NYLON, BLACK.
PERIPHERAL SEAL: ELASTOMER, BLACK.
THREADED INSERTS: BRASS.
- 2 CAVITY IDENTIFICATION ON FRONT AND REAR FACE.
- 3 WILL ACCEPT (16) MULTIMATE PIN CONTACTS.
- 4 HOUSING: NYLON, BLUE.
PERIPHERAL SEAL: ELASTOMER, BLACK.
THREADED INSERTS: BRASS.
- 5 OBSOLETE PARTS: OBSOLETE CIS STREAMLINING PER D.RENAUD/D.SINISI



MATERIAL	PACKAGING	MOUNTING FEATURES	PERIPHERAL SEAL	PART NUMBER	
5 OBSOLETE	4	STANDARD	Ø3.81(.125) HOLES	YES	206036-9-
	4	STANDARD	#4-40 THREADED INSERTS	NO	206036-8
	4	SMALL PACK	Ø3.81(.125) HOLES	NO	206036-7
	4	STANDARD	Ø3.81(.125) HOLES	YES	206036-4
	4	STANDARD	Ø3.81(.125) HOLES	NO	206036-1

THIS DRAWING IS A CONTROLLED DOCUMENT. DNW: D. GELTZ 07/27/93
 CHK: R. STONE 7-22-93
 APVD: A. FRANTUM 8-12-93

TE Connectivity Ltd.

RECEPTACLE HOUSING, STD SEX, SHELL SIZE 17, CPC

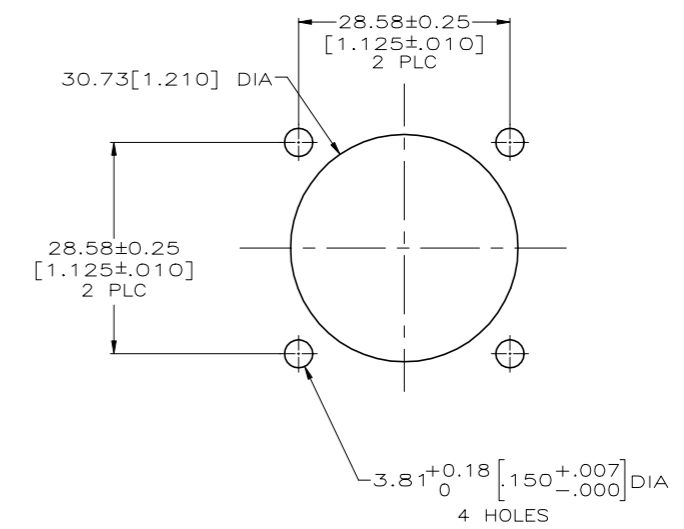
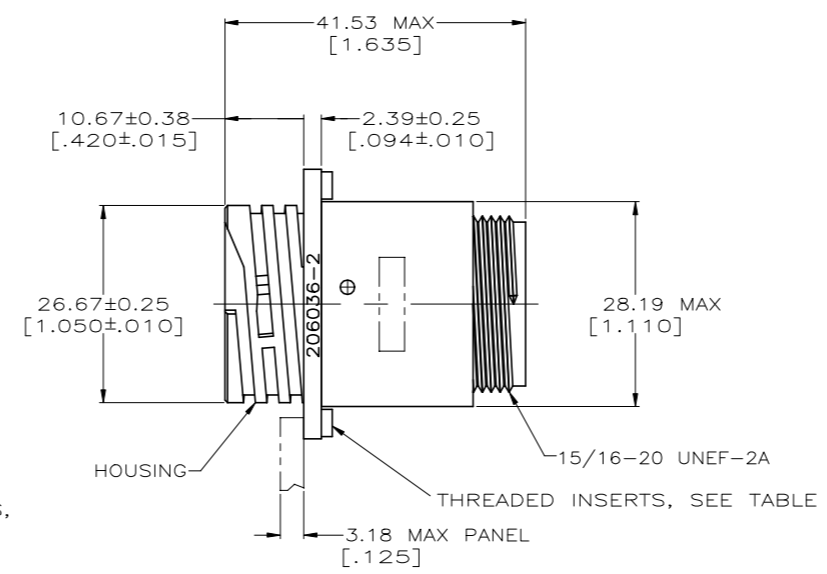
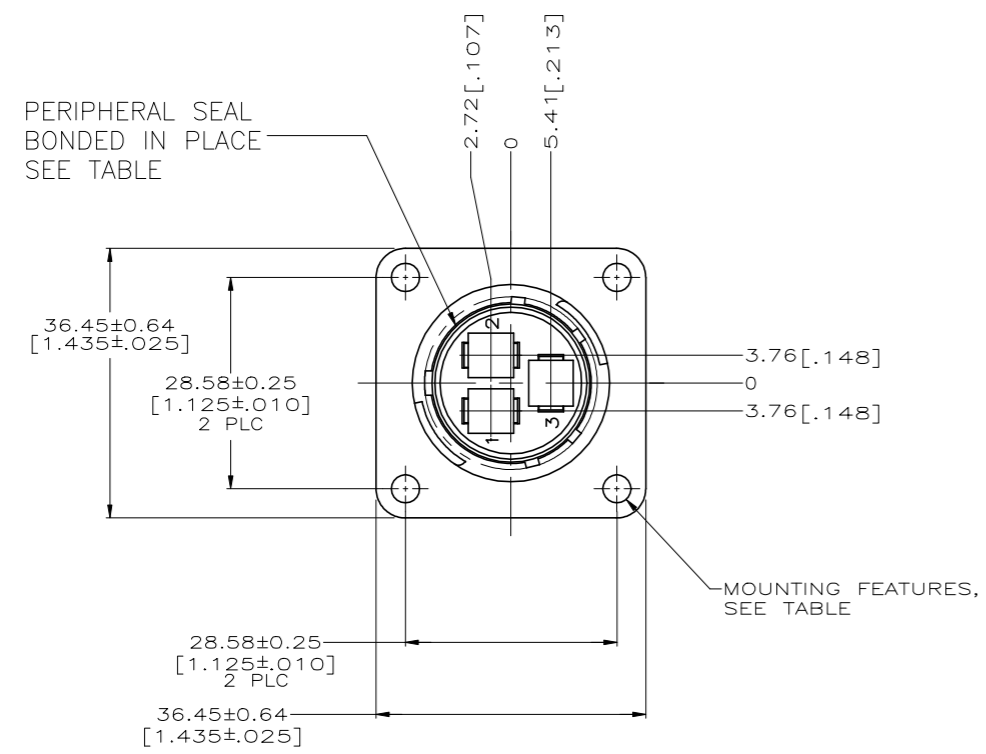
108-10024

SIZE: A1 CAGE CODE: 00779 DRAWING NO: 206036 RESTRICTED TO: -
 CUSTOMER DRAWING SCALE: 2:1 SHEET: 1 OF 3 REV: V

THIS DRAWING IS UNPUBLISHED. RELEASED FOR PUBLICATION
 © COPYRIGHT - By - ALL RIGHTS RESERVED.

REVISIONS				
#	LTR	DESCRIPTION	DATE	DNW
-	-	SEE SHEET 1	-	-

- 1 CAVITY IDENTIFICATION ON FRONT AND REAR FACE.
- 2 WILL ACCEPT (3) TYPE XII PIN CONTACTS.
- 3 HOUSING: NYLON, BLACK.
PERIPHERAL SEAL: ELASTOMER, BLACK.



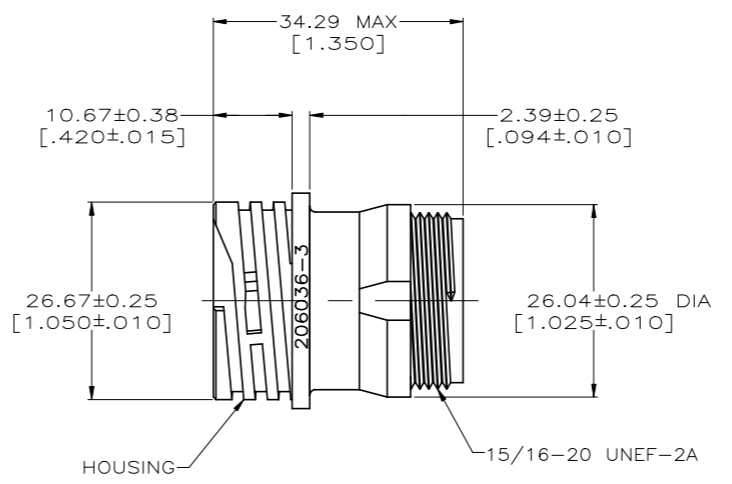
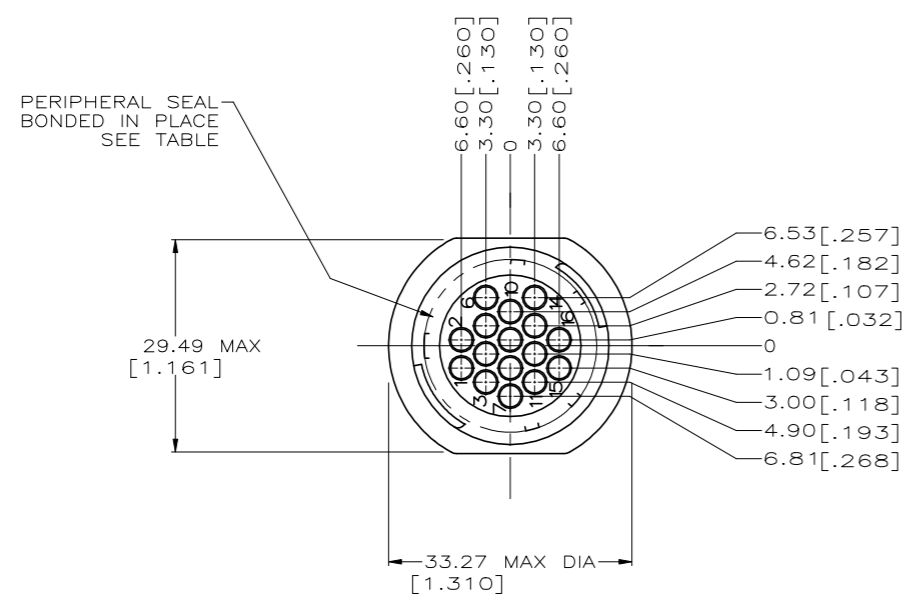
RECOMMENDED PANEL CUTOUT

PRELIMINARY	3	Ø3.18(.125) HOLES	YES	1-206036-6
	3	#4-40 THREADED INSERTS	NO	1-206036-4
	3	Ø3.18(.125) HOLES	NO	206036-2
MATERIAL		MOUNTING FEATURES	PERIPHERAL SEAL	PART NUMBER
THIS DRAWING IS A CONTROLLED DOCUMENT.		DNW 07/27/93 D. GELTZ CHK 7-22-93 R. STONE	TE Connectivity Ltd.	
DIMENSIONS: MM(INCH)	TOLERANCES UNLESS OTHERWISE SPECIFIED:	APPRO A. FRANTUM 8-12-93	NAME RECEPTACLE HOUSING, STD SEX, SHELL SIZE 17, CPC	
0 PLC ± -	1 PLC ± -	PRODUCT SPEC 108-10024	SIZE CAGE CODE DRAWING NO RESTRICTED TO	
2 PLC ± 0.13 [.005]	3 PLC ± -	APPLICATION SPEC	A1 00779 C=206036	
4 PLC ± -	ANGLES ± -	WEIGHT	SCALE 2:1 SHEET 2 OF 3 REV V	
MATERIAL	FINISH	CUSTOMER DRAWING		

THIS DRAWING IS UNPUBLISHED. RELEASED FOR PUBLICATION
 © COPYRIGHT - By - ALL RIGHTS RESERVED.

REVISIONS				
#	LTR	DESCRIPTION	DATE	DNW
-	-	SEE SHEET 1	-	-

- 1 CAVITY IDENTIFICATION ON FRONT AND REAR FACE.
- 2 WILL ACCEPT (16) MULTIMATE PIN CONTACTS.
- 3 HOUSING: NYLON, BLACK.
PERIPHERAL SEAL: ELASTOMER, BLACK.
- 4 HOUSING: POLYESTER, PBT, BLACK.
PERIPHERAL SEAL: ELASTOMER, BLACK.
THREADED INSERTS: BRASS



OBSOLETE	4	NO	1-206036-3
	3	YES	206036-5
	3	NO	206036-3
MATERIAL		PERIPHERAL SEAL	PART NUMBER

THIS DRAWING IS A CONTROLLED DOCUMENT. DNW 07/27/93
 CHK R. STONE 7-22-93
 APD A. FRANTUM 8-12-93

TE Connectivity Ltd.

RECEPTACLE HOUSING, STD SEX, SHELL SIZE 17, CPC

108-10024

SIZE: A1 CAGE CODE: 00779 DRAWING NO: 206036 RESTRICTED TO: -
 MATERIAL: - FINISH: - WEIGHT: -
 CUSTOMER DRAWING SCALE: 2:1 SHEET: 3 OF 3 REV: V

X-ON Electronics

Largest Supplier of Electrical and Electronic Components

Click to view similar products for [Standard Circular Connector](#) category:

Click to view products by [TE Connectivity](#) manufacturer:

Other Similar products are found below :

[5M2530B10P](#) [600259N006](#) [600273N007](#) [6134-336-13149](#) [6134-337-11149](#) [6134-337-2390](#) [6134-341-17149](#) [6280-4SG-516](#) [6280-7SG-3DC](#)
[6290](#) [6291A](#) [66200A-10](#) [680-SMG](#) [681-PMG](#) [CXS3102A14S2P](#) [CXS3102A181S](#) [7251-5SG-300](#) [7271-6SG-300](#) [7282-3PG-300-CH3](#) [75-](#)
[474618-01S](#) [75-474618-04P](#) [75-474618-04S](#) [799539-000](#) [MI8-SE](#) [805-005-07NF11-19PC](#) [805-005-07NF15-7PA](#) [8280-4PG-516](#) [8280-7PG-](#)
[519](#) [8282-5PG-519](#) [836783-1](#) [MP-4102-25P-C](#) [862256-1](#) [864019-2](#) [866857-1](#) [867865-1](#) [PT01SP-14-18P](#) [PT08P-14-5S](#) [PTSF06SE-14-12S](#)
[120-1833-000](#) [QCM019PC2DC012B](#) [1-2069279-1](#) [121583-0217](#) [121667-0020](#) [129591AU](#) [1000B BULK](#) [RD10A16-19-P6CS051/1](#)
[RD10A20-31-P8CS051/1](#) [RD16A14-12-S6CS051/2](#) [1301240290](#) [1301240347](#) [1301860202](#)