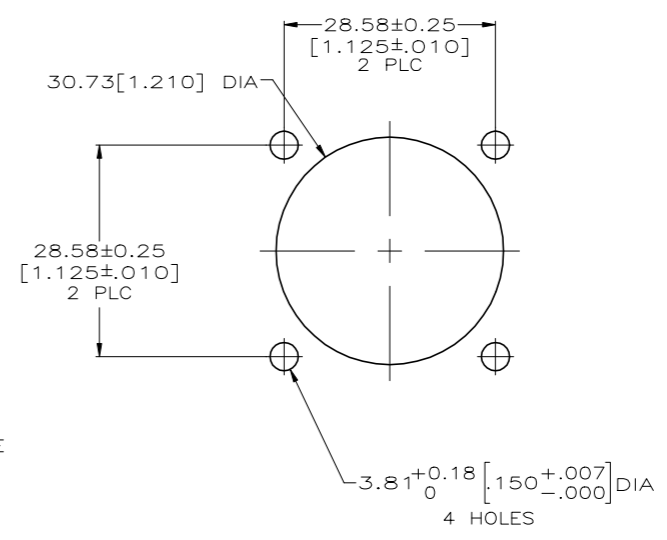
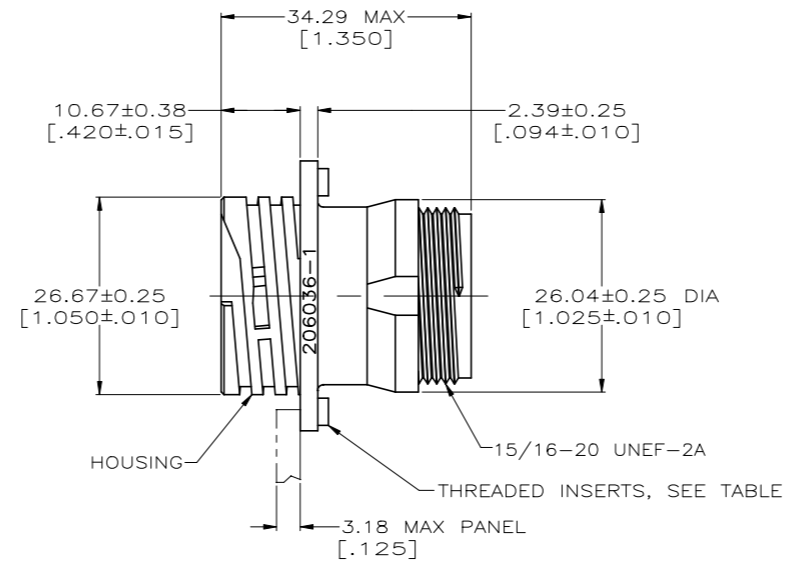
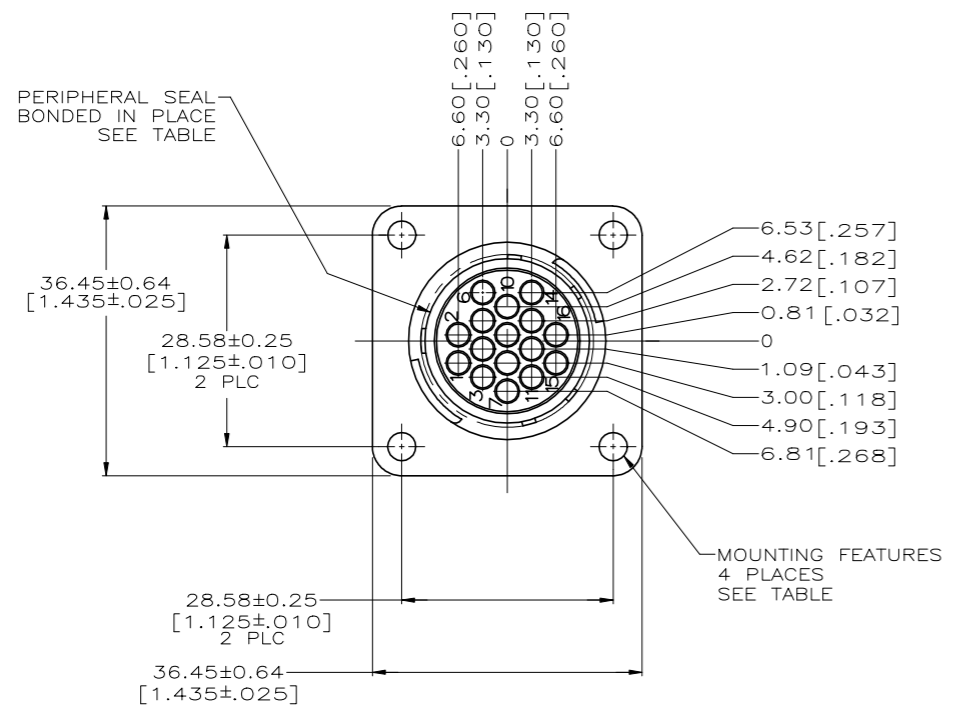


THIS DRAWING IS UNPUBLISHED. RELEASED FOR PUBLICATION  
 © COPYRIGHT - By - ALL RIGHTS RESERVED.

| REVISIONS |     |                           |           |     |      |
|-----------|-----|---------------------------|-----------|-----|------|
| #         | LTR | DESCRIPTION               | DATE      | DNW | APVD |
| T         |     | REVISED PER ECO-13-016365 | 19OCT2013 | KH  | MZ   |
| U         |     | REVISED PER ECO-19-011232 | 07AUG2019 | RS  | MZ   |
| V         |     | REVISED PER ECO-19-014836 | 18OCT2019 | RS  | MZ   |

- 1 HOUSING: NYLON, BLACK.  
PERIPHERAL SEAL: ELASTOMER, BLACK.  
THREADED INSERTS: BRASS.
- 2 CAVITY IDENTIFICATION ON FRONT AND REAR FACE.
- 3 WILL ACCEPT (16) MULTIMATE PIN CONTACTS.
- 4 HOUSING: NYLON, BLUE.  
PERIPHERAL SEAL: ELASTOMER, BLACK.  
THREADED INSERTS: BRASS.
- 5 OBSOLETE PARTS: OBSOLETE CIS STREAMLINING PER D.RENAUD/D.SINISI



| MATERIAL   | PACKAGING | MOUNTING FEATURES | PERIPHERAL SEAL | PART NUMBER |
|------------|-----------|-------------------|-----------------|-------------|
| 5 OBSOLETE | △         | STANDARD          | △               | 206036-9-   |
|            | △         | STANDARD          | △               | 206036-8    |
|            | △         | SMALL PACK        | △               | 206036-7    |
|            | △         | STANDARD          | △               | 206036-4    |
|            | △         | STANDARD          | △               | 206036-1    |

THIS DRAWING IS A CONTROLLED DOCUMENT. DNW: D. GELTZ 07/27/93  
 CHK: R. STONE 7-22-93  
 APVD: A. FRANTUM 8-12-93

TE Connectivity Ltd.

RECEPTACLE HOUSING, STD SEX, SHELL SIZE 17, CPC

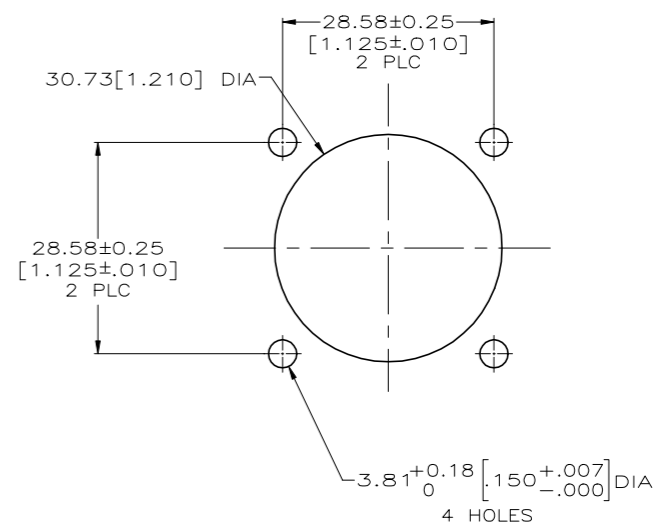
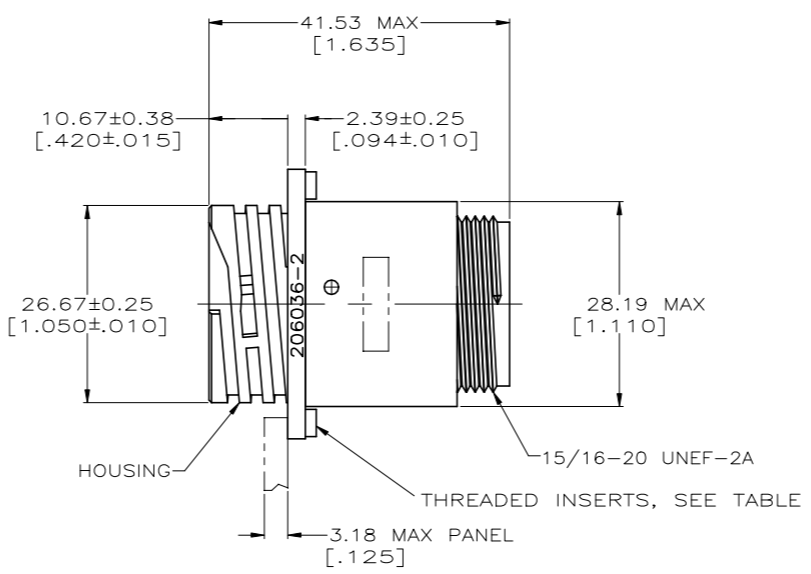
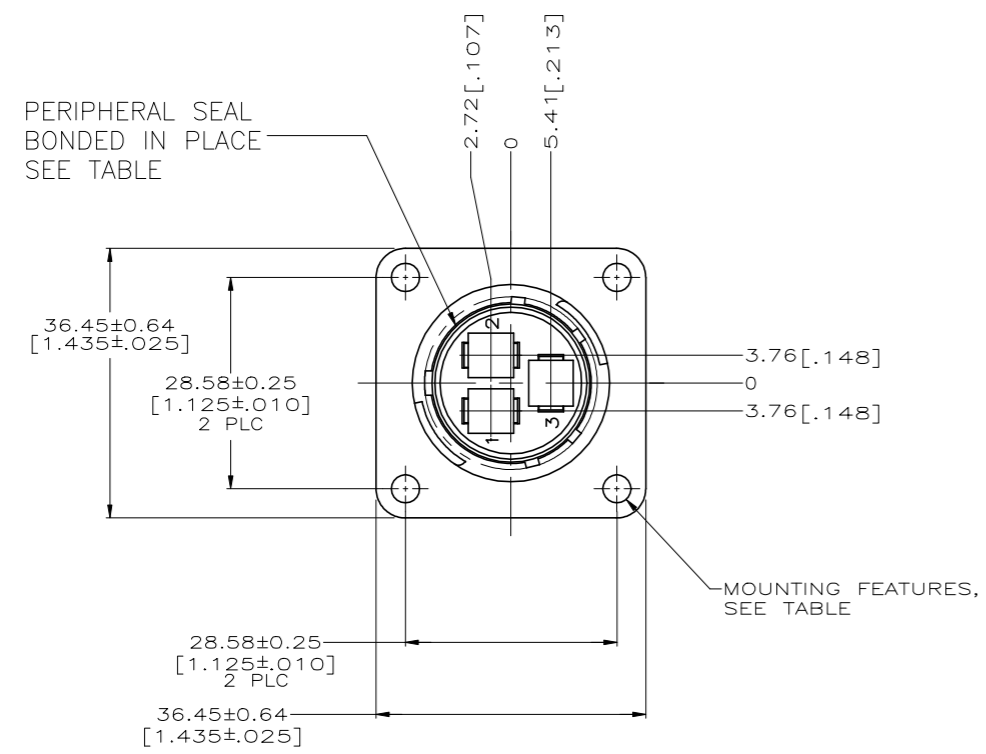
108-10024

SIZE: A1 CAGE CODE: 00779 DRAWING NO: 206036 RESTRICTED TO: -  
 CUSTOMER DRAWING SCALE: 2:1 SHEET: 1 OF 3 REV: V

THIS DRAWING IS UNPUBLISHED. RELEASED FOR PUBLICATION  
 © COPYRIGHT - By - ALL RIGHTS RESERVED.

| REVISIONS |     |             |      |     |
|-----------|-----|-------------|------|-----|
| #         | LTR | DESCRIPTION | DATE | DNW |
| -         | -   | SEE SHEET 1 | -    | -   |

- 1 CAVITY IDENTIFICATION ON FRONT AND REAR FACE.
- 2 WILL ACCEPT (3) TYPE XII PIN CONTACTS.
- 3 HOUSING: NYLON, BLACK.  
PERIPHERAL SEAL: ELASTOMER, BLACK.



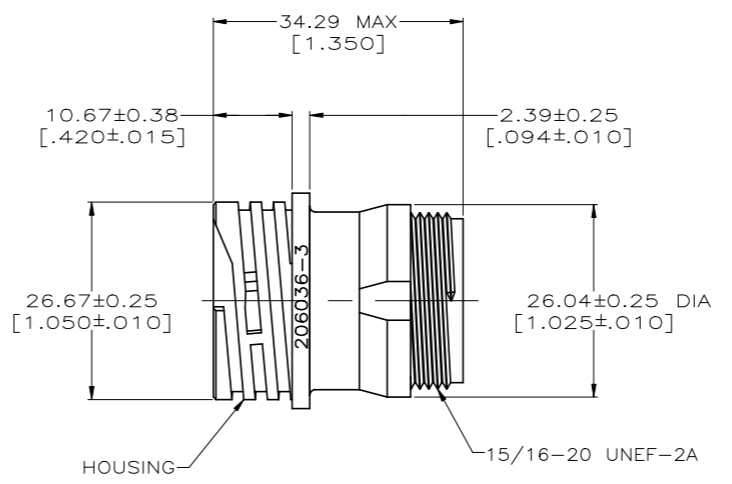
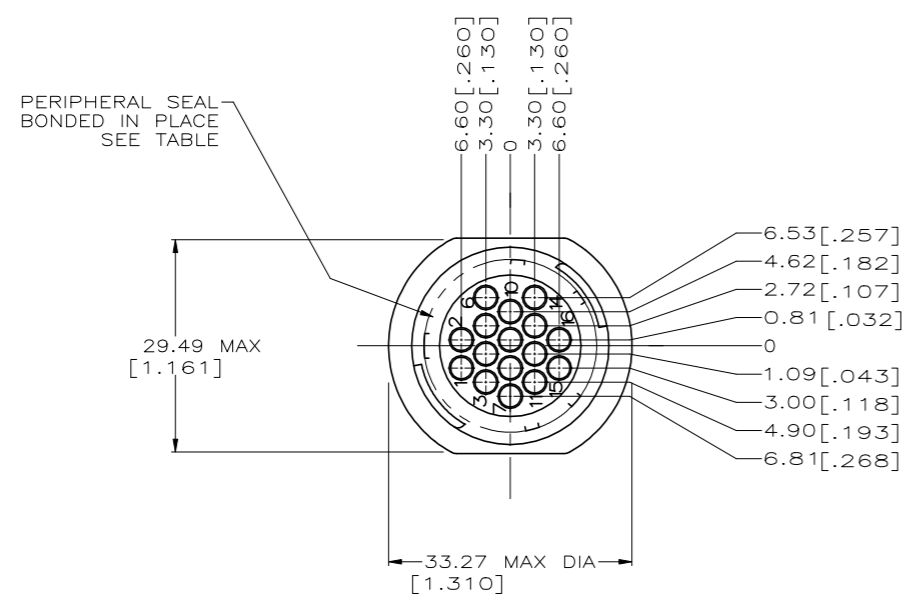
RECOMMENDED PANEL CUTOUT

|  |  |   |  |             |
|--|--|---|--|-------------|
| PRELIMINARY                            | 3                                      | Ø3.18(.125) HOLES                                   | YES  | 1-206036-6  |
|  | 3                                      | #4-40 THREADED INSERTS                              | NO   | 1-206036-4  |
|  | 3                                      | Ø3.18(.125) HOLES                                   | NO   | 206036-2    |
| MATERIAL                               |  | MOUNTING FEATURES                                   | PERIPHERAL SEAL                                      | PART NUMBER |
| THIS DRAWING IS A CONTROLLED DOCUMENT. |  | DNW 07/27/93<br>D. GELTZ<br>CHK 7-22-93<br>R. STONE | TE Connectivity Ltd.                                 |             |
| DIMENSIONS: MM(INCH)                   | TOLERANCES UNLESS OTHERWISE SPECIFIED: | APPRO A. FRANTUM 8-12-93                            | NAME RECEPTACLE HOUSING, STD SEX, SHELL SIZE 17, CPC |             |
| 0 PLC ± -                              | 1 PLC ± -                              | PRODUCT SPEC 108-10024                              | SIZE CAGE CODE DRAWING NO RESTRICTED TO              |             |
| 2 PLC ± 0.13 [.005]                    | 3 PLC ± -                              | APPLICATION SPEC                                    | A1 00779 C=206036                                    |             |
| 4 PLC ± -                              | ANGLES ± -                             | WEIGHT  | SCALE 2:1 SHEET 2 OF 3 REV V                         |             |
| MATERIAL                               | FINISH                                 | CUSTOMER DRAWING                                    |  |             |

THIS DRAWING IS UNPUBLISHED. RELEASED FOR PUBLICATION  
 © COPYRIGHT - By - ALL RIGHTS RESERVED.

| REVISIONS |     |             |      |     |
|-----------|-----|-------------|------|-----|
| #         | LTR | DESCRIPTION | DATE | DNW |
| -         | -   | SEE SHEET 1 | -    | -   |

- 1 CAVITY IDENTIFICATION ON FRONT AND REAR FACE.
- 2 WILL ACCEPT (16) MULTIMATE PIN CONTACTS.
- 3 HOUSING: NYLON, BLACK.  
PERIPHERAL SEAL: ELASTOMER, BLACK.
- 4 HOUSING: POLYESTER, PBT, BLACK.  
PERIPHERAL SEAL: ELASTOMER, BLACK.  
THREADED INSERTS: BRASS



|          |   |                 |             |
|----------|---|-----------------|-------------|
| OBSOLETE | 4 | NO              | 1-206036-3  |
|          | 3 | YES             | 206036-5    |
|          | 3 | NO              | 206036-3    |
| MATERIAL |   | PERIPHERAL SEAL | PART NUMBER |

THIS DRAWING IS A CONTROLLED DOCUMENT. DNW 07/27/93  
 CHK R. STONE 7-22-93  
 APD A. FRANTUM 8-12-93

**TE** TE Connectivity Ltd.

RECEPTACLE HOUSING, STD SEX, SHELL SIZE 17, CPC

108-10024

SIZE: A1 CAGE CODE: 00779 DRAWING NO: 206036 RESTRICTED TO: -  
 MATERIAL: - FINISH: - WEIGHT: - SCALE: 2:1 SHEET 3 OF 3 REV V

CUSTOMER DRAWING

## X-ON Electronics

Largest Supplier of Electrical and Electronic Components

*Click to view similar products for [Standard Circular Connector](#) category:*

*Click to view products by [TE Connectivity](#) manufacturer:*

Other Similar products are found below :

[5M2530B10P](#) [600259N006](#) [600273N007](#) [6134-336-13149](#) [6134-337-11149](#) [6134-337-2390](#) [6134-341-17149](#) [6280-4SG-516](#) [6280-7SG-3DC](#)  
[6290](#) [6291A](#) [66200A-10](#) [680-SMG](#) [681-PMG](#) [CXS3102A14S2P](#) [CXS3102A181S](#) [7251-5SG-300](#) [7271-6SG-300](#) [7282-3PG-300-CH3](#) [75-](#)  
[474618-01S](#) [75-474618-04P](#) [75-474618-04S](#) [799539-000](#) [MI8-SE](#) [805-005-07NF11-19PC](#) [805-005-07NF15-7PA](#) [8280-4PG-516](#) [8280-7PG-](#)  
[519](#) [8282-5PG-519](#) [836783-1](#) [MP-4102-25P-C](#) [862256-1](#) [864019-2](#) [866857-1](#) [867865-1](#) [PT01SP-14-18P](#) [PT08P-14-5S](#) [PTSF06SE-14-12S](#)  
[120-1833-000](#) [QCM019PC2DC012B](#) [1-2069279-1](#) [121583-0217](#) [121667-0020](#) [129591AU](#) [1000B BULK](#) [RD10A16-19-P6CS051/1](#)  
[RD10A20-31-P8CS051/1](#) [RD16A14-12-S6CS051/2](#) [1301240290](#) [1301240347](#) [1301860202](#)