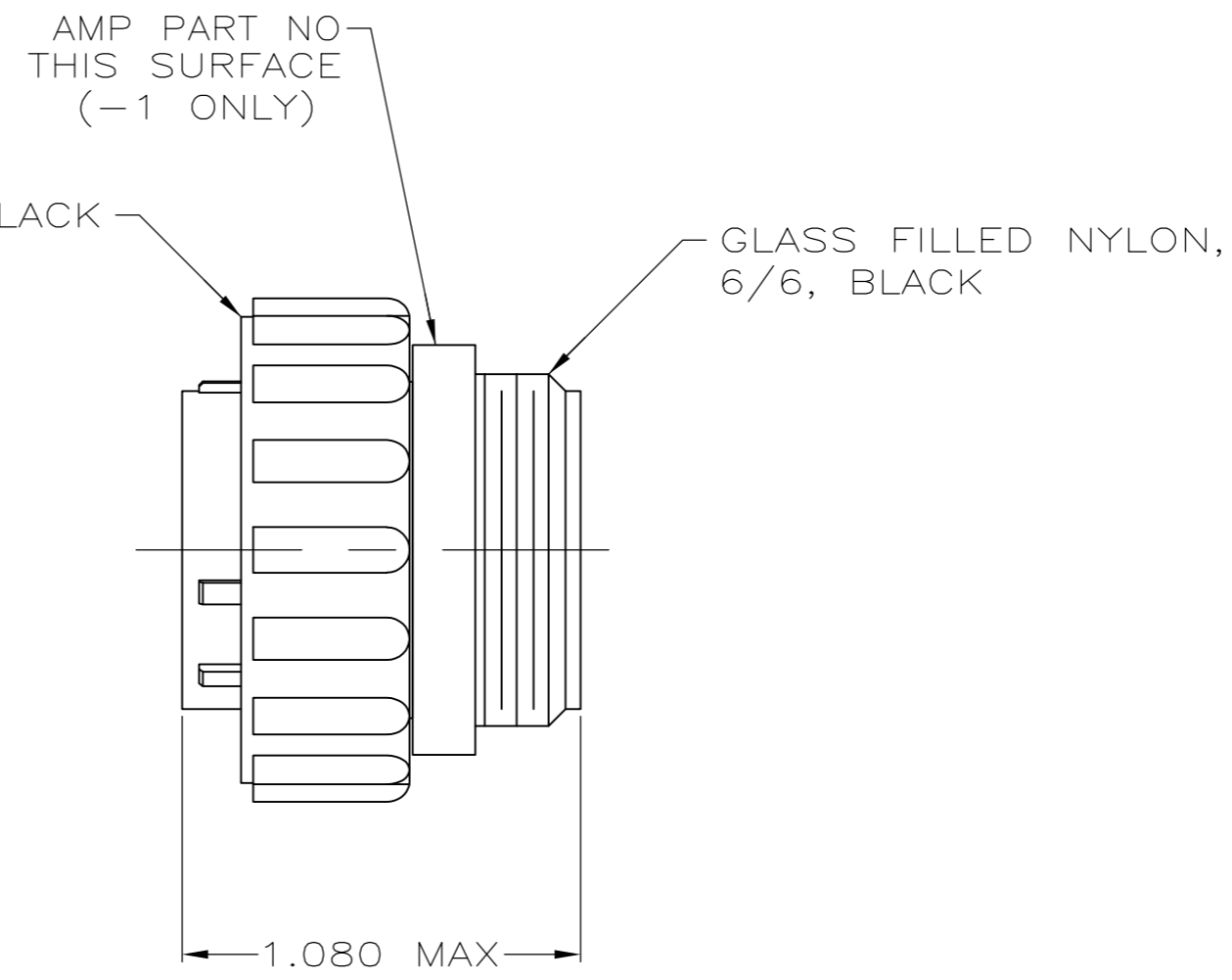
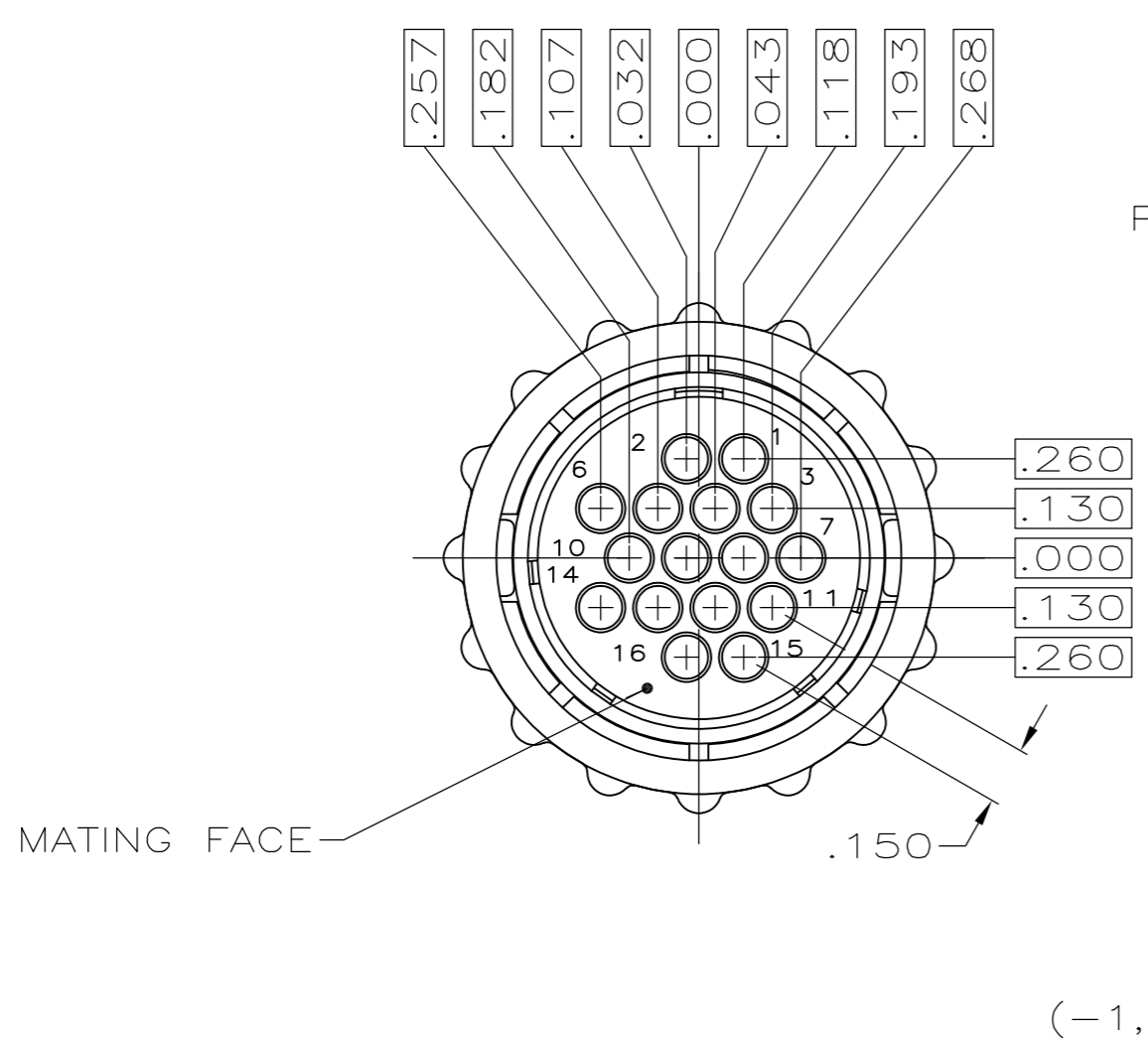
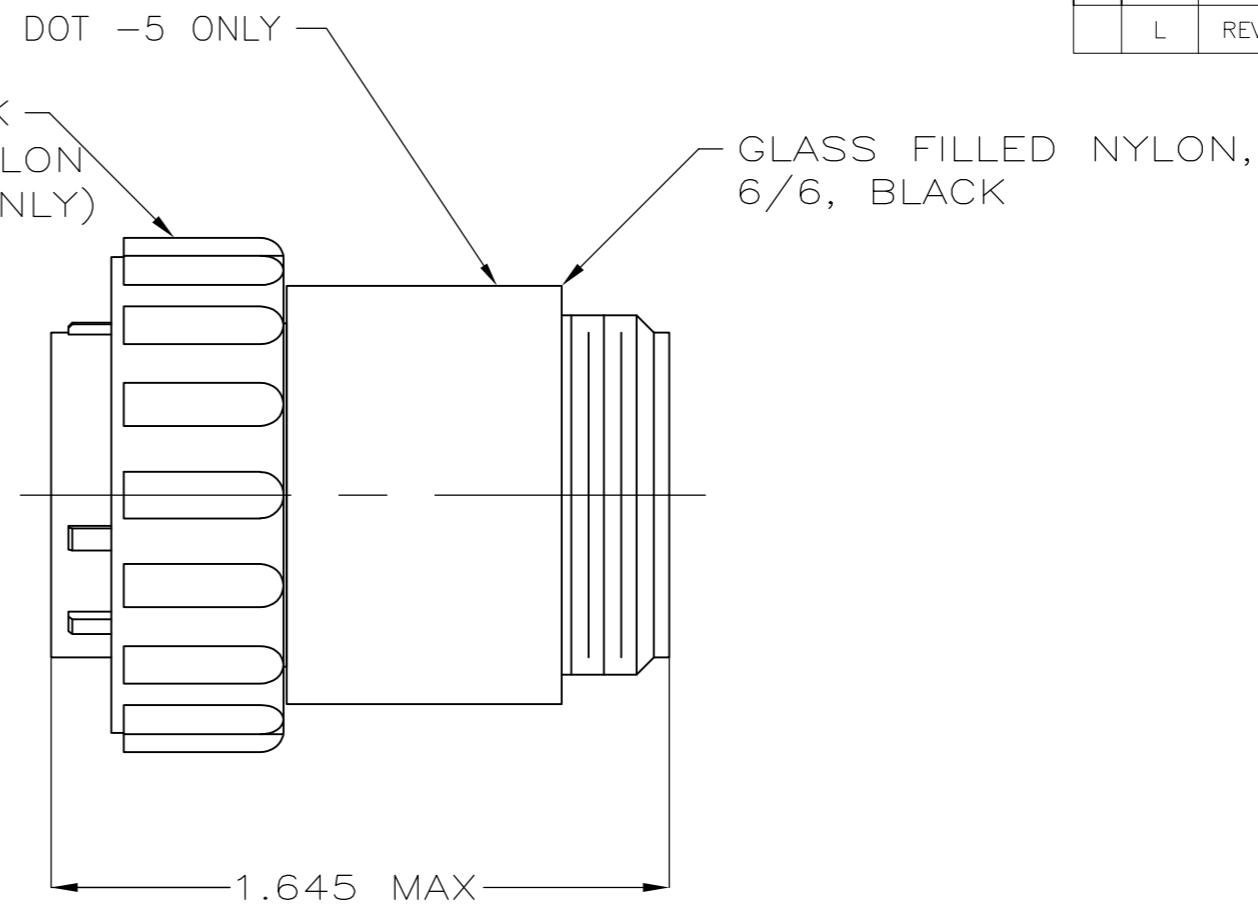
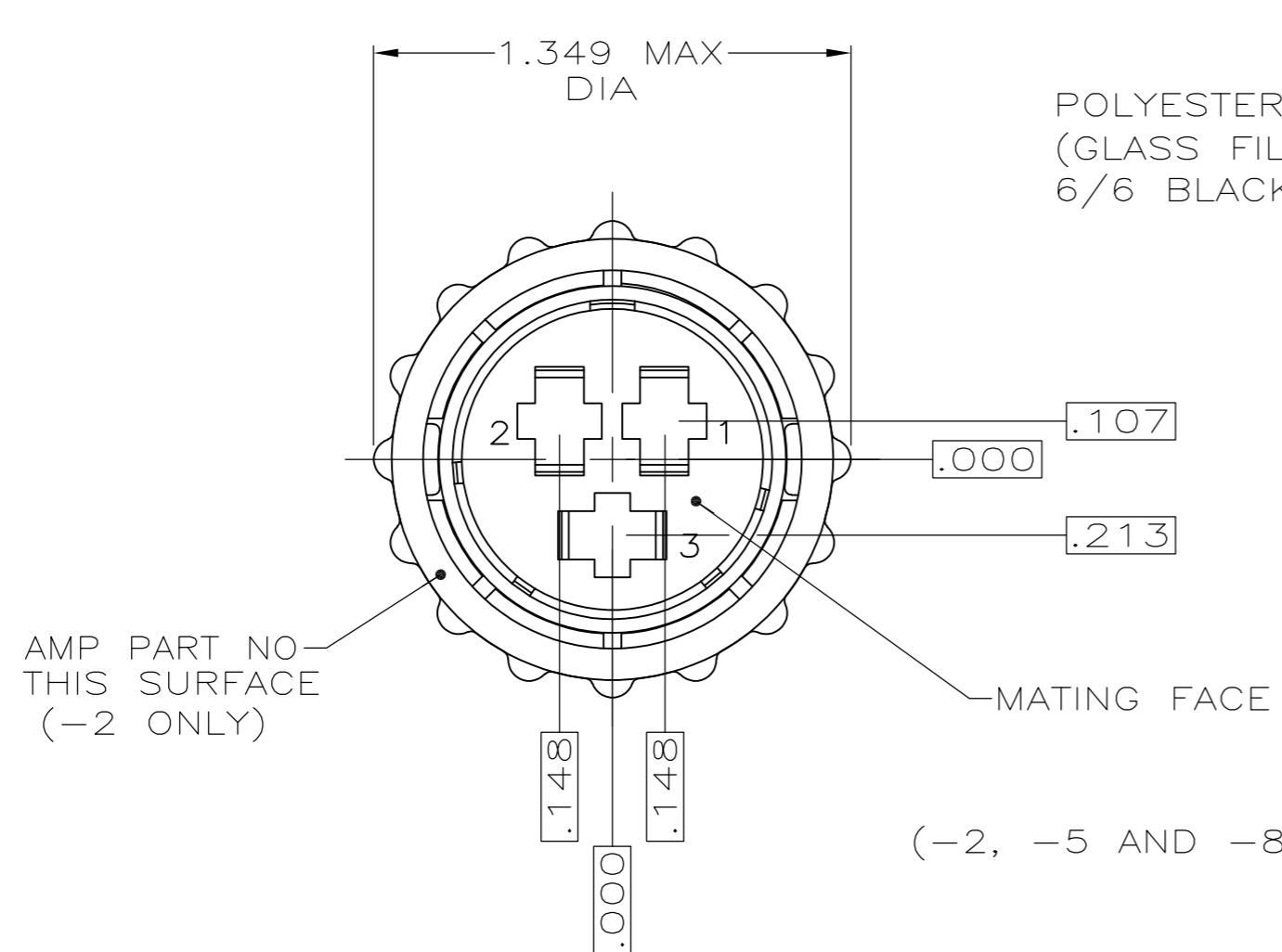


THIS DRAWING IS UNPUBLISHED. RELEASED FOR PUBLICATION
 © COPYRIGHT - By - ALL RIGHTS RESERVED.

REVISIONS					
P	LTR	DESCRIPTION	DATE	DWN	APVD
	K3	REVISED PER ECO-16-004800	10SEP2016	NK	MZ
	L	REVISED PER ECO-17-000037	10MAR2017	RS	MZ



NOTES:

- CONTACT CAVITIES IDENTIFIED BY CHARACTERS ON FRONT AND REAR FACES OF CONNECTOR.
- PART NUMBER 206037-1, -3 AND -4 WILL ACCEPT (16) MULTIMATE SOCKET CONTACTS.
- PART NUMBER 206037-2, -5 AND -8 WILL ACCEPT (3) TYPE XII SOCKET CONTACTS.
- OBSOLETE PART NUMBER.
- UL RATED UV(f1) MATERIAL.

5	4	3	206037-8
OBSOLETE		3	206037-5
		2	206037-4
		2	206037-3
		3	206037-2
		2	206037-1
			PART NUMBER

THIS DRAWING IS A CONTROLLED DOCUMENT.		DWN	S.RIDGLEY	BG	8/3/90	STE TE Connectivity	
DIMENSIONS: INCHES		CHK	R.STONE		04/26/91		
TOLERANCES UNLESS OTHERWISE SPECIFIED:		APVD		-		PRODUCT SPEC	
0 PLC ± -		APVD		-		APPLICATION SPEC	
1 PLC ± -		WEIGHT		-		SIZE	
2 PLC ± -		CUSTOMER DRAWING		A2		CAGE CODE	
3 PLC ± .005		SCALE		2:1		DRAWING NO	
4 PLC ± -		SHEET		1 of 1		RESTRICTED TO	
FINISH		REV		L		C=206037	

X-ON Electronics

Largest Supplier of Electrical and Electronic Components

Click to view similar products for [Standard Circular Connector](#) category:

Click to view products by [TE Connectivity](#) manufacturer:

Other Similar products are found below :

[5M2530B10P](#) [600259N006](#) [600273N007](#) [6134-336-13149](#) [6134-337-11149](#) [6134-337-2390](#) [6134-341-17149](#) [6280-4SG-516](#) [6280-7SG-3DC](#)
[6290](#) [6291A](#) [66200A-10](#) [680-SMG](#) [681-PMG](#) [CXS3102A14S2P](#) [CXS3102A181S](#) [7271-6SG-300](#) [7282-3PG-300-CH3](#) [75-474618-01S](#) [75-](#)
[474618-04P](#) [75-474618-04S](#) [799539-000](#) [MI8-SE](#) [805-005-07NF11-19PC](#) [805-005-07NF15-7PA](#) [8280-4PG-516](#) [8280-7PG-519](#) [8282-5PG-](#)
[519](#) [836783-1](#) [MP-4102-25P-C](#) [862256-1](#) [864019-2](#) [866857-1](#) [867865-1](#) [PT01SP-14-18P](#) [PT08P-14-5S](#) [120-1833-000](#)
[QCM019PC2DC012B](#) [1-2069279-1](#) [121583-0217](#) [121667-0020](#) [129591AU](#) [1000B BULK](#) [RD10A16-19-P6CS051/1](#) [RD10A20-31-](#)
[P8CS051/1](#) [RD16A14-12-S6CS051/2](#) [1301240290](#) [1301240347](#) [1301860202](#) [1301240268](#) [1301240275](#)