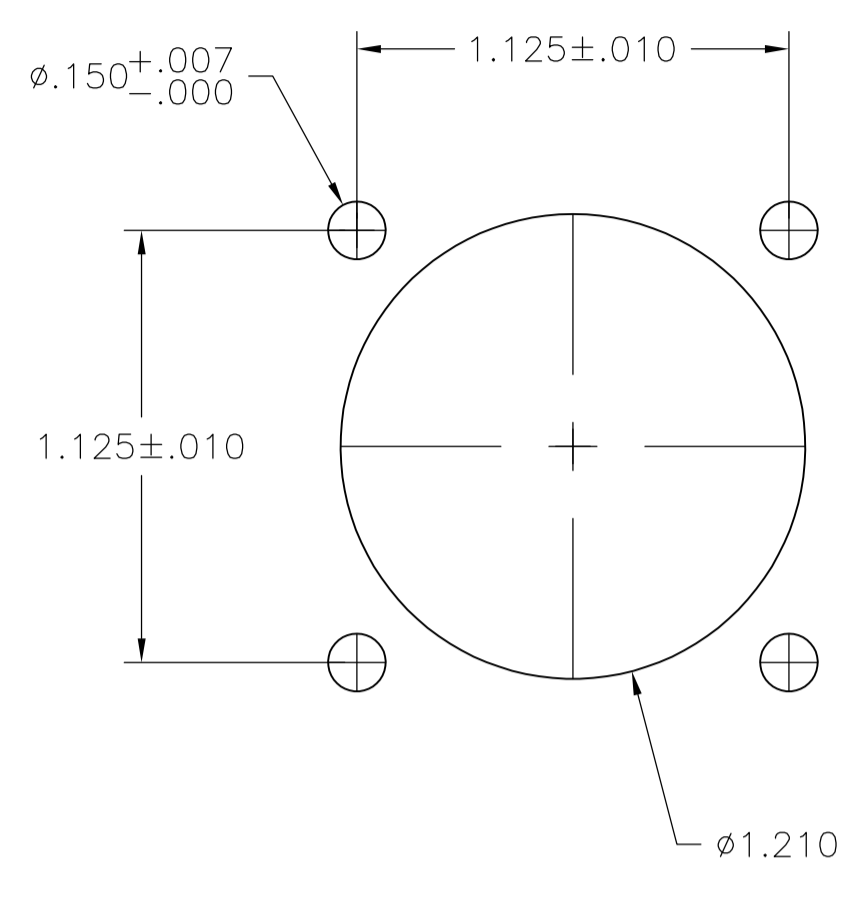
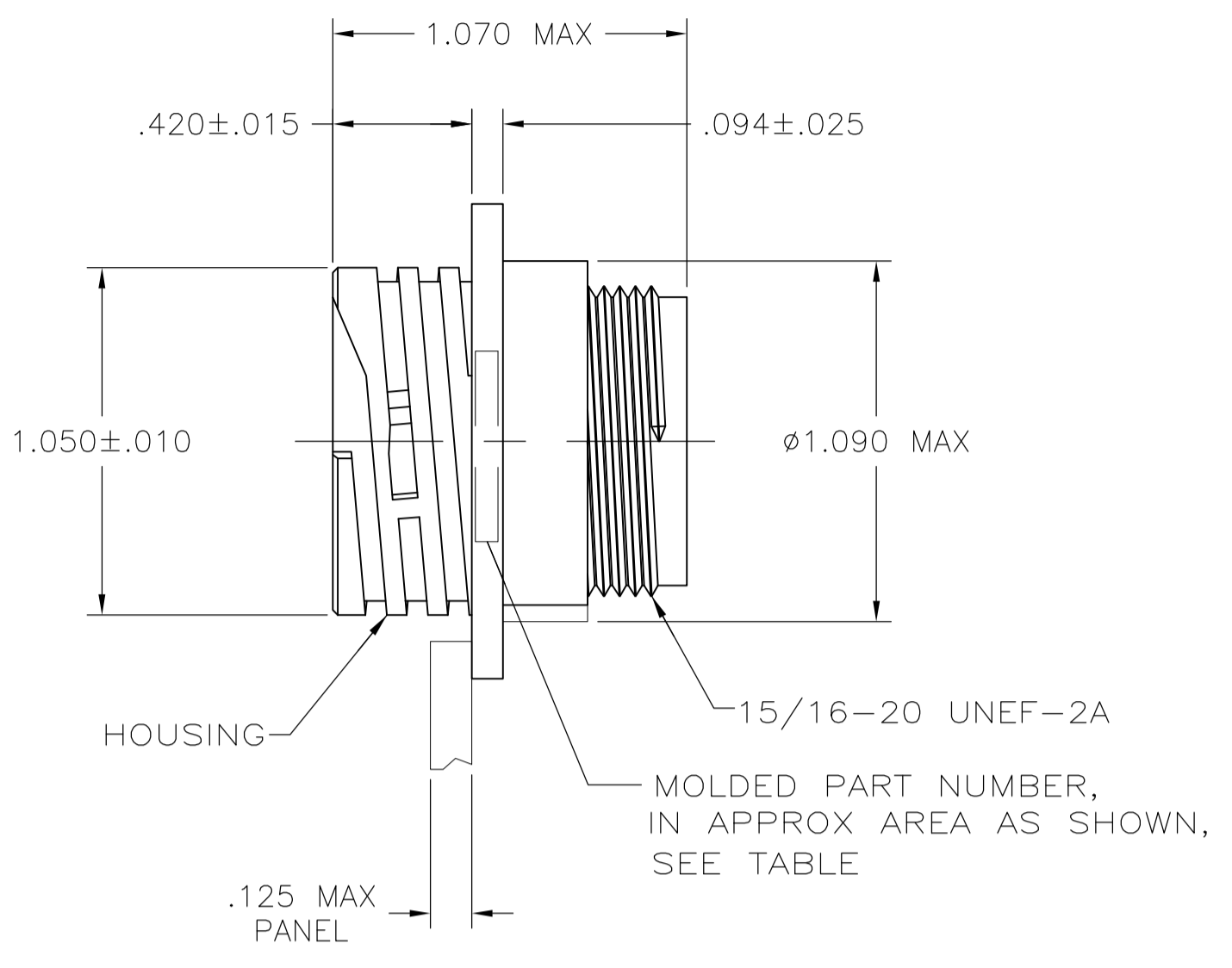
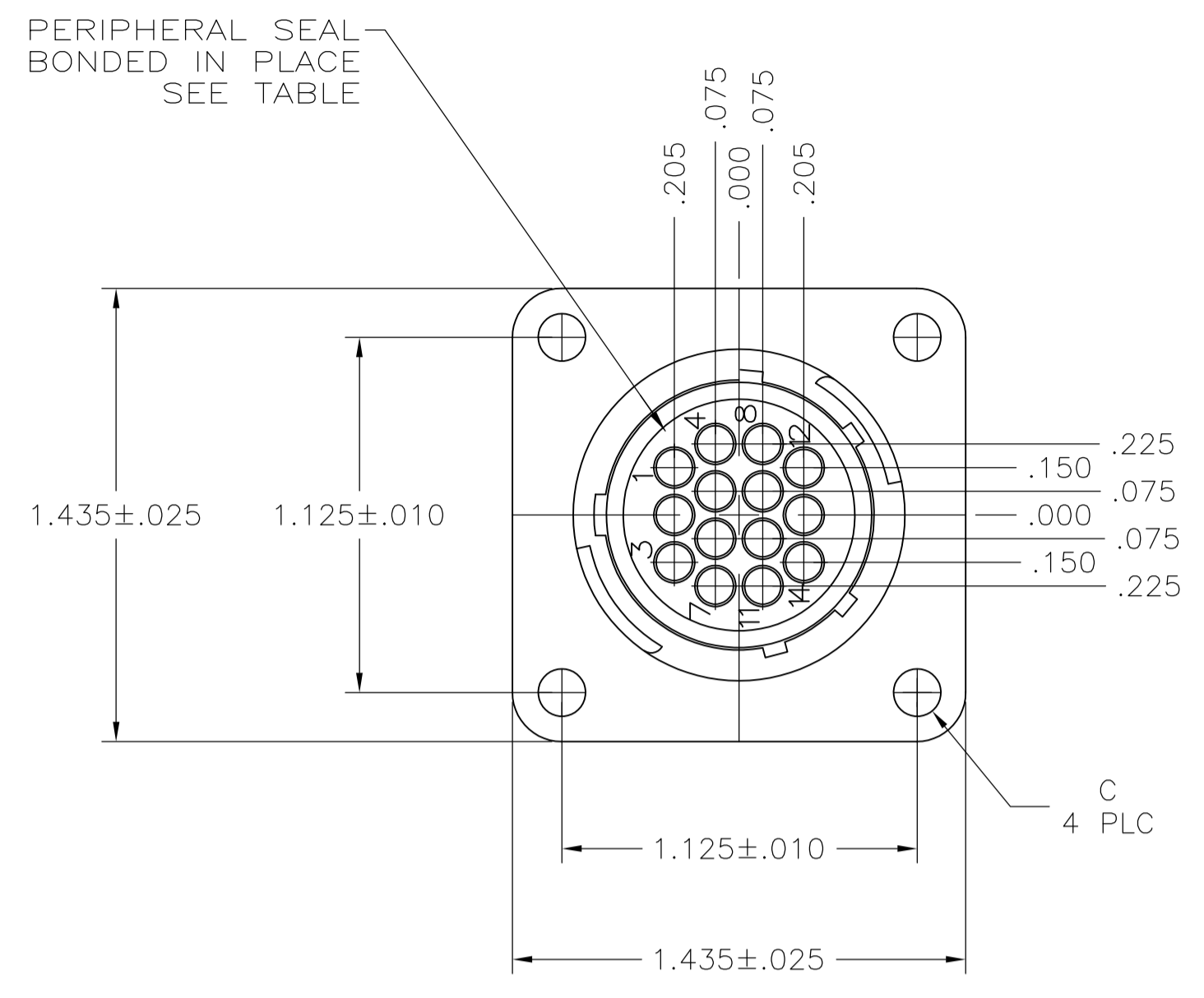
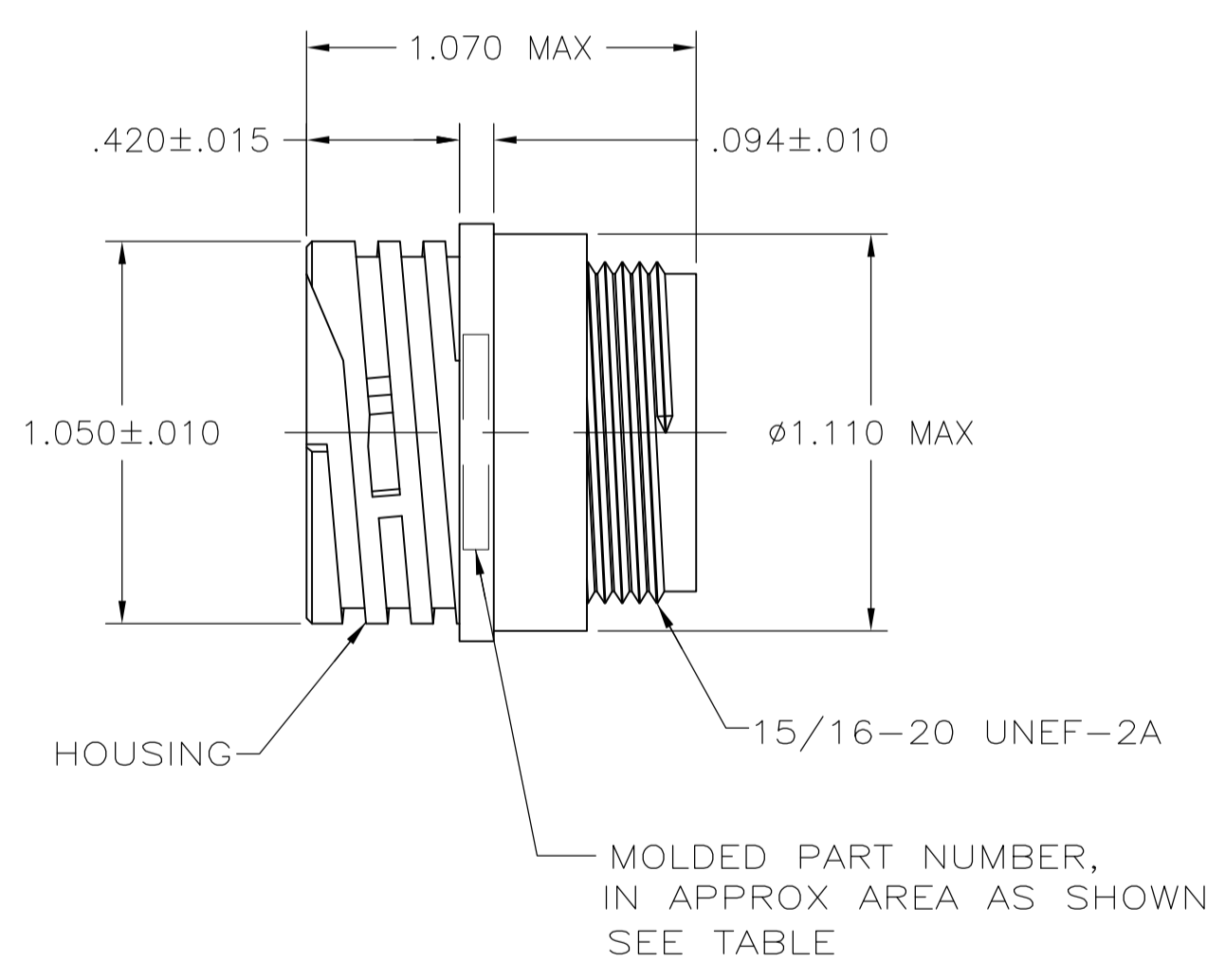
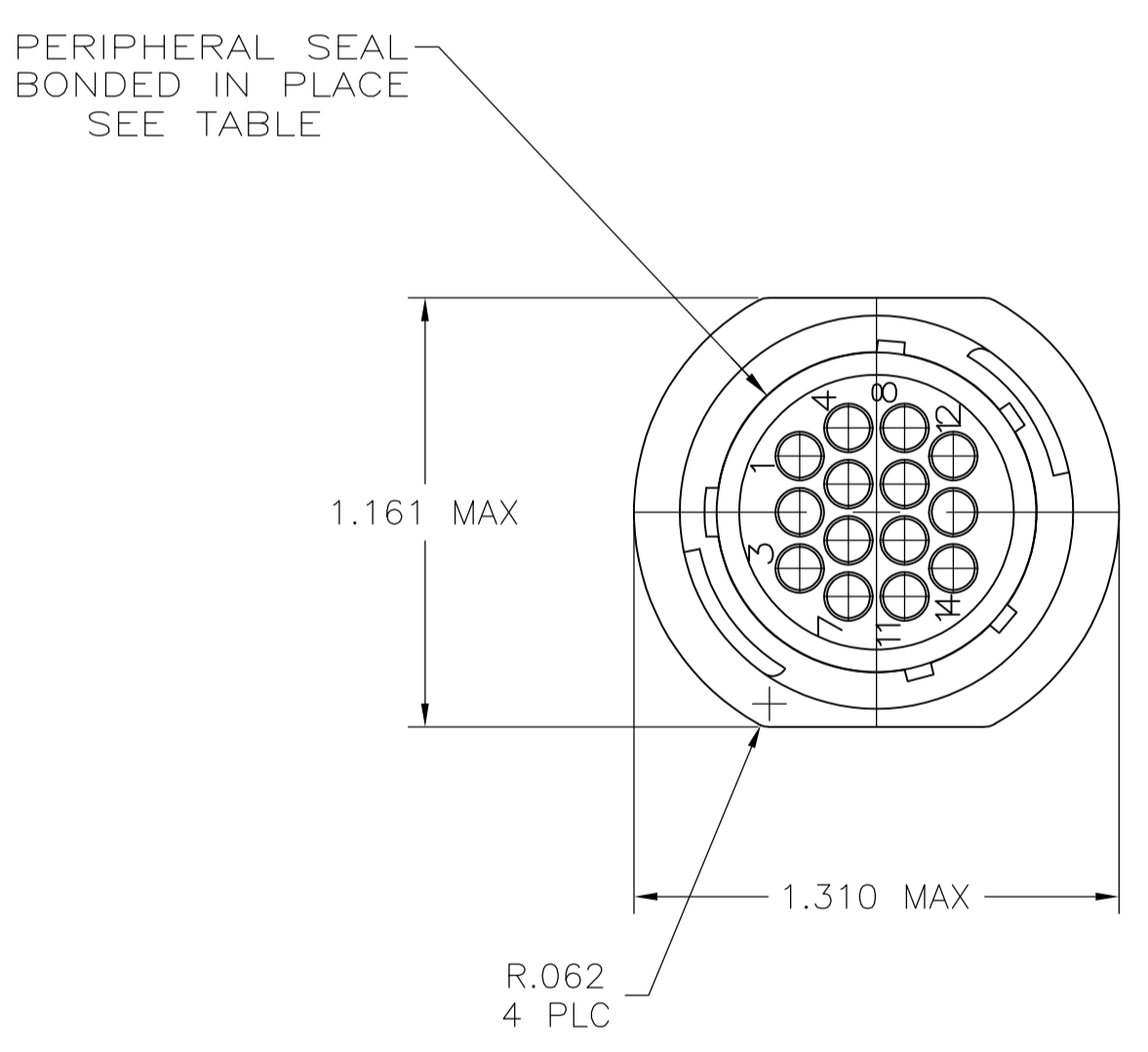


| REVISIONS | | | | | |
|-----------|-----|---------------------------|-----------|-----|------|
| P | LTR | DESCRIPTION | DATE | DMN | APVD |
| S | | REVISED PER ECO-12-015521 | 28SEP12 | KH | MZ |
| T | | REVISED PER ECO-17-000037 | 10MAR2017 | RS | MZ |



DETAIL A

RECOMMENDED PANEL CUTOUT



DETAIL B

- 1 CAVITY IDENTIFICATION ON FRONT AND REAR FACE.
- 2 WILL ACCEPT FOURTEEN (14) MULTIMATE SOCKET CONTACTS.

| | | | | | | |
|----------|-----------------------|--------------------|------------|-----------------|------------|----------|
| OBSOLETE | 4-40 THREADED INSERTS | - | STANDARD | YES | A | 206043-8 |
| OBSOLETE | Ø.150 | - | SMALL PACK | NO | A | 206043-6 |
| - | - | - | STANDARD | YES | B | 206043-5 |
| - | Ø.150 | - | STANDARD | YES | A | 206043-4 |
| - | - | - | STANDARD | NO | B | 206043-3 |
| - | Ø.150 | 206043-1 | STANDARD | NO | A | 206043-1 |
| | DIM C | MOLDED PART NUMBER | PACKAGING | PERIPHERAL SEAL | SEE DETAIL | PART NO. |

THIS DRAWING IS A CONTROLLED DOCUMENT.

| | | | | | |
|--------------------------------|--|-------------------------|------------------------|------------------|--------------------|
| DIMENSIONS: INCHES | TOLERANCES UNLESS OTHERWISE SPECIFIED: | DWG: W. LENKER 09/10/92 | CHK: R. STONE 08/11/93 | APVD: - | NAME: - |
| 0 PLC ± - | 1 PLC ± - | 2 PLC ± 0.13 [.005] | 3 PLC ± - | 4 PLC ± - | ANGLES ± - |
| MATERIAL: HOUSING: NYLON BLACK | FINISH: - | SIZE: A1 | WEIGHT: - | CAGE CODE: 00779 | DRAWING NO: 206043 |
| CUSTOMER DRAWING | | | SCALE: 2:1 | SHEET: 1 OF 1 | REV: T |

STE TE Connectivity
RECEPTACLE ASSEMBLY, REVERSE SEX, SERIES 1, 17-14, CPC

X-ON Electronics

Largest Supplier of Electrical and Electronic Components

Click to view similar products for [Standard Circular Connector](#) category:

Click to view products by [TE Connectivity](#) manufacturer:

Other Similar products are found below :

[5M2530B10P](#) [600259N006](#) [600273N007](#) [6134-336-13149](#) [6134-337-11149](#) [6134-337-2390](#) [6134-341-17149](#) [6280-4SG-516](#) [6280-7SG-3DC](#)
[6290](#) [6291A](#) [66200A-10](#) [680-SMG](#) [681-PMG](#) [CXS3102A14S2P](#) [CXS3102A181S](#) [7271-6SG-300](#) [7282-3PG-300-CH3](#) [75-474014-05S](#) [75-](#)
[474618-01S](#) [75-474618-04P](#) [75-474618-04S](#) [799539-000](#) [MI8-SE](#) [805-005-07NF11-19PC](#) [805-005-07NF15-7PA](#) [8280-4PG-516](#) [8280-7PG-](#)
[519](#) [8282-5PG-519](#) [836783-1](#) [MP-4102-25P-C](#) [862256-1](#) [864019-2](#) [866857-1](#) [867865-1](#) [PT01SP-14-18P](#) [PT08P-14-5S](#) [120-1833-000](#)
[QCM019PC2DC012B](#) [1-2069279-1](#) [121583-0217](#) [121667-0020](#) [129591AU](#) [1000B BULK](#) [RD10A16-19-P6CS051/1](#) [RD10A20-31-](#)
[P8CS051/1](#) [RD16A14-12-S6CS051/2](#) [1301240290](#) [1301240347](#) [1301860202](#) [1301240268](#)