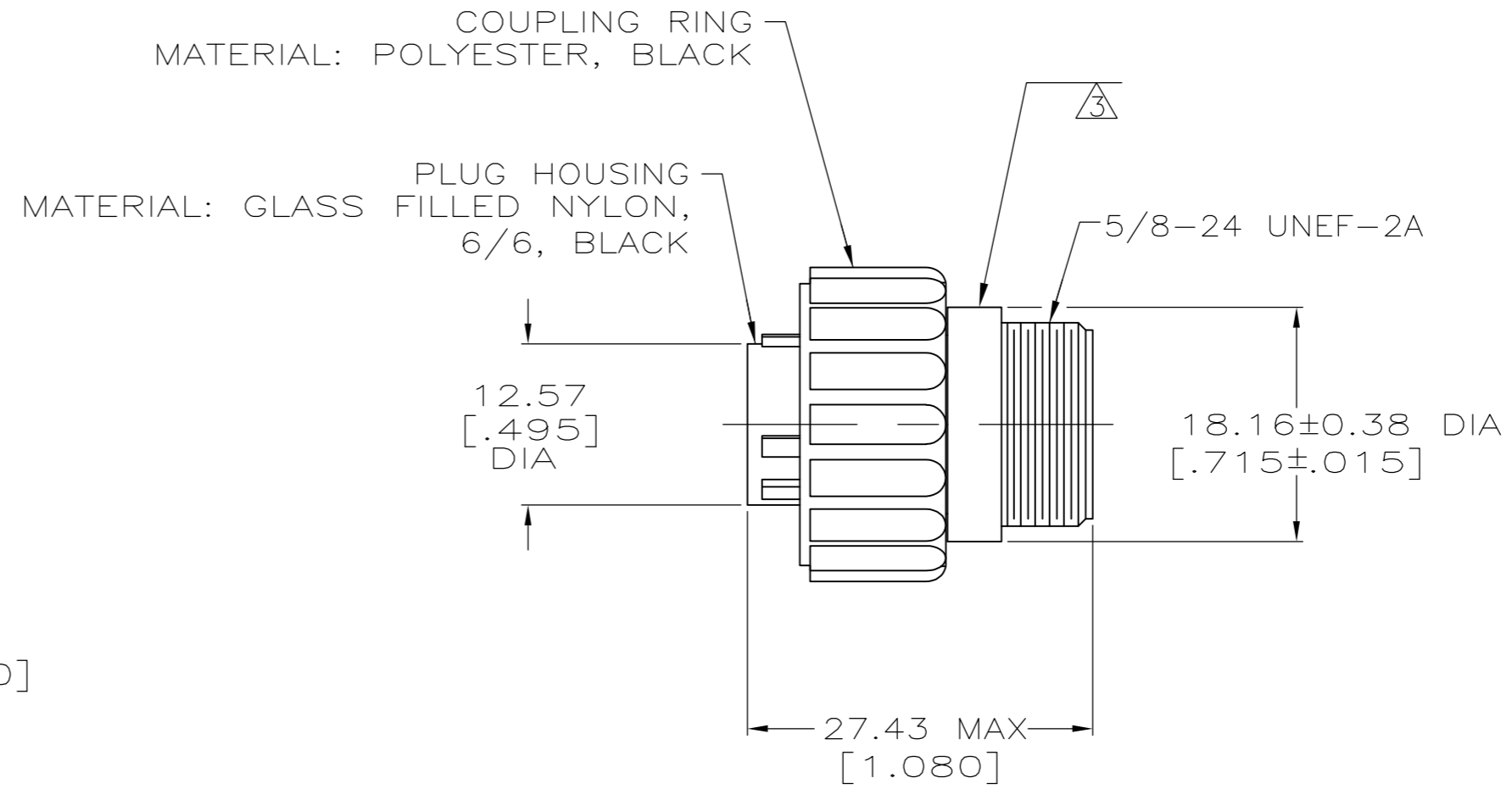
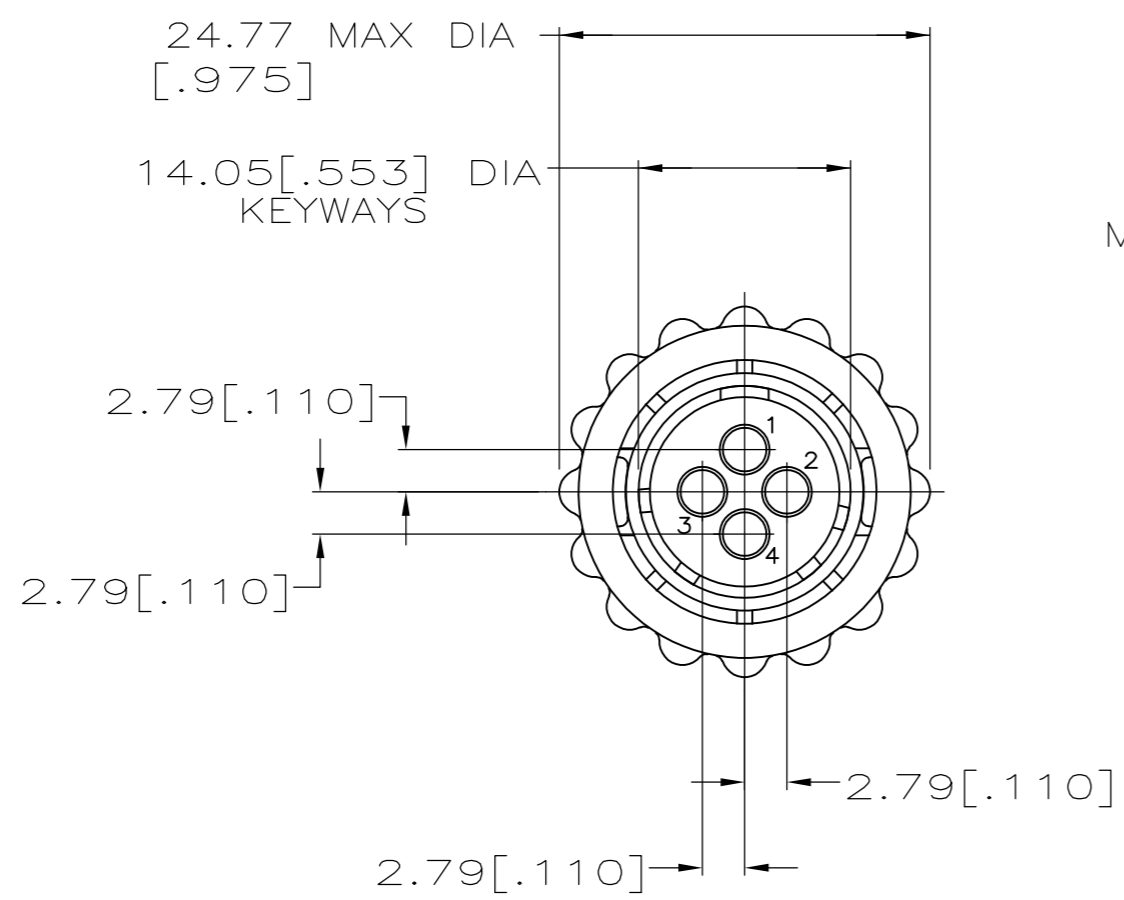


THIS DRAWING IS UNPUBLISHED. RELEASED FOR PUBLICATION  
 © COPYRIGHT - By - ALL RIGHTS RESERVED.

LOC	DIST	REVISIONS			
P	LTR	DESCRIPTION	DATE	DWN	APVD
FT	4	H1	REVISED PER ECO-11-004587	11MAR11	RK HMR



NOTES:

- CAVITY IDENTIFICATION ON FRONT AND REAR FACE.
  - WILL ACCEPT FOUR (4) MULTIMATE CONTACTS.
- MOLDED PART NUMBER THIS SURFACE. PART NUMBER MAY ALSO APPEAR ON COUPLING RING MATING FACE.

SMALL PACK	206060-2
STANDARD	206060-1
PACKAGING	PART NO.

THIS DRAWING IS A CONTROLLED DOCUMENT.		DWN	D.GELTZ	07/26/93	TE Connectivity PLUG ASSEMBLY, STANDARD SEX, SERIES 1, 11-4, CPC			
DIMENSIONS:		CHK	R.STONE	08/11/93				
mm	TOLERANCES UNLESS OTHERWISE SPECIFIED:	APVD	-	-				
	0 PLC ± - 1 PLC ± - 2 PLC ± 0.13 [.005] 3 PLC ± - 4 PLC ± - ANGLES ± -	PRODUCT SPEC	108-10024	NAME				
MATERIAL	SEE	FINISH	-	APPLICATION SPEC	SIZE	CAGE CODE	DRAWING NO	RESTRICTED TO
				WEIGHT	A2	00779	C=206060	-
				CUSTOMER DRAWING	SCALE	2:1	SHEET	1 OF 1
							REV	H1

## X-ON Electronics

Largest Supplier of Electrical and Electronic Components

*Click to view similar products for [Standard Circular Connector](#) category:*

*Click to view products by [TE Connectivity](#) manufacturer:*

Other Similar products are found below :

[5M2530B10P](#) [600259N006](#) [600273N007](#) [6134-336-13149](#) [6134-337-11149](#) [6134-337-2390](#) [6134-341-17149](#) [6280-4SG-516](#) [6280-7SG-3DC](#)  
[6290](#) [6291A](#) [66200A-10](#) [680-SMG](#) [681-PMG](#) [CXS3102A14S2P](#) [CXS3102A181S](#) [7251-5SG-300](#) [7271-6SG-300](#) [7282-3PG-300-CH3](#) [75-](#)  
[474618-01S](#) [75-474618-04P](#) [75-474618-04S](#) [799539-000](#) [MI8-SE](#) [805-005-07NF11-19PC](#) [805-005-07NF15-7PA](#) [8280-4PG-516](#) [8280-7PG-](#)  
[519](#) [8282-5PG-519](#) [836783-1](#) [MP-4102-25P-C](#) [862256-1](#) [864019-2](#) [866857-1](#) [867865-1](#) [PT01SP-14-18P](#) [PT08P-14-5S](#) [PTSF06SE-14-12S](#)  
[120-1833-000](#) [QCM019PC2DC012B](#) [1-2069279-1](#) [121583-0217](#) [121667-0020](#) [129591AU](#) [1000B BULK](#) [RD10A16-19-P6CS051/1](#)  
[RD10A20-31-P8CS051/1](#) [RD16A14-12-S6CS051/2](#) [1301240290](#) [1301240347](#) [1301860202](#)