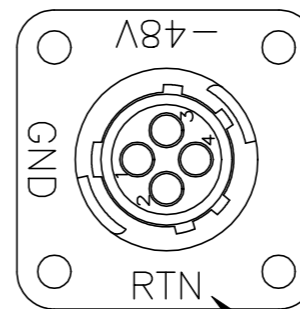
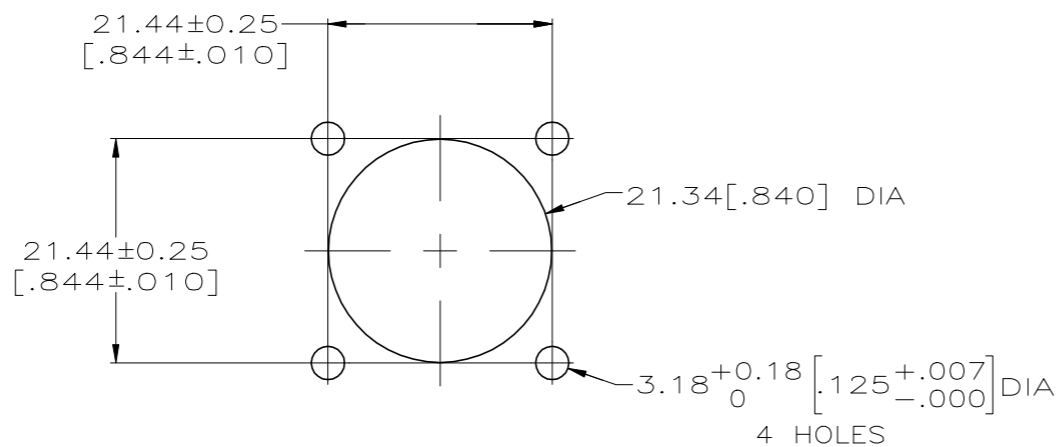
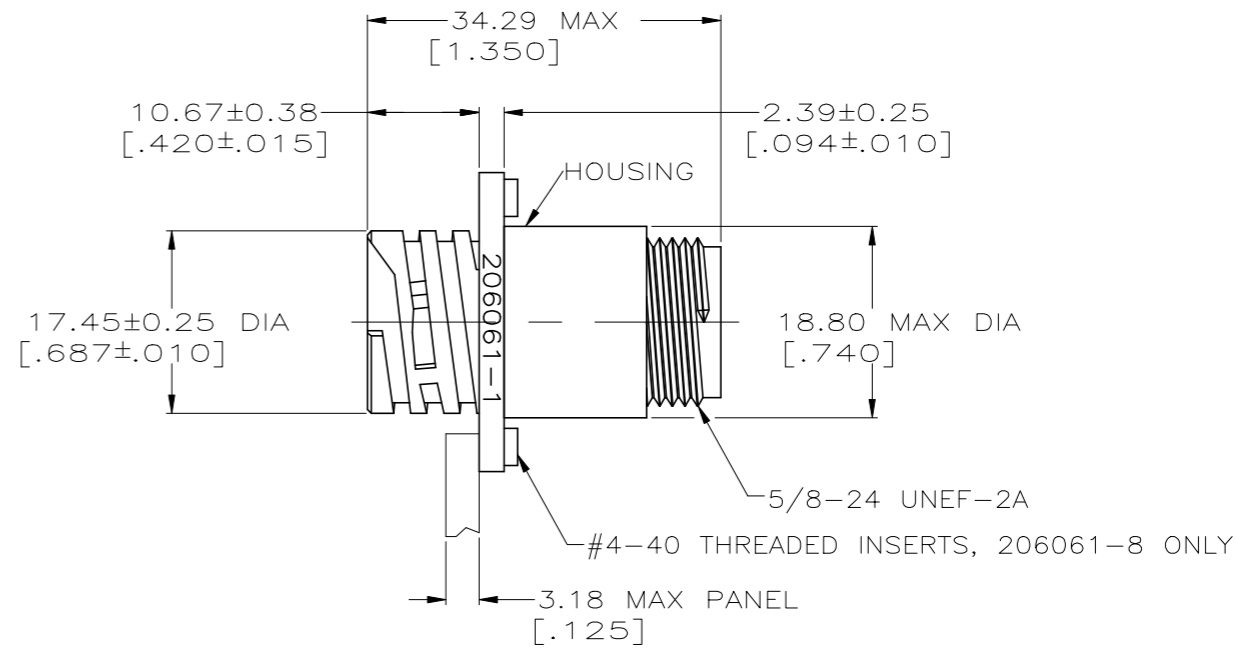
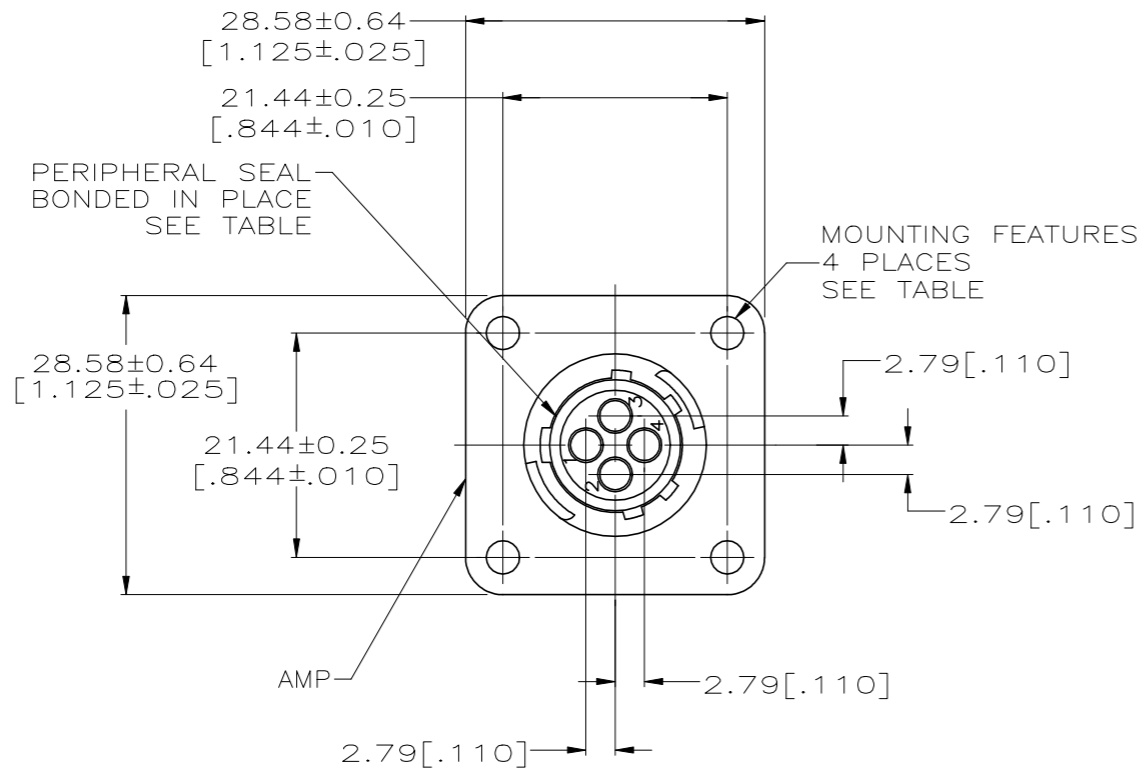


THIS DRAWING IS UNPUBLISHED. RELEASED FOR PUBLICATION. ALL RIGHTS RESERVED.

REVISIONS				
P	LTR	DESCRIPTION	DATE	APVD
F1		REVISED PER ECO-11-004587	11MAR11	RK HMR
G		REVISED PER ECO-17-000037	10MAR2017	RS MZ
H		REVISED PER ECO-19-014836	21OCT2019	RS MZ



DETAIL A -5 ONLY RTN, GND AND -48V MARKED WITH WHITE INK, .118 MAX.

RECOMMENDED PANEL CUTOUT

NOTES:

1. CAVITY IDENTIFICATION ON FRONT AND REAR FACE.
2. WILL ACCEPT FOUR (4) MULTIMATE PIN CONTACTS.



MATERIALS:
 HOUSING: PA66, BLACK
 PERIPHERAL SEAL: NITRILE BUTADIENE RUBBER, BLACK
 THREADED INSERT: BRASS

#4-40 THREADED INSERT	-	STANDARD	NO	206061-8
OBSOLETE	Ø 3.18 (.125) HOLES	DETAIL A	NO	206061-5
			NO	206061-3
	Ø 3.18 (.125) HOLES		YES	206061-2
			NO	206061-1
MOUNTING FEATURES	MARKING	PACKAGING	PERIPHERAL SEAL	PART NO.

THIS DRAWING IS A CONTROLLED DOCUMENT.		DWN D.GELTZ 07/26/93	TE Connectivity	
		CHK R.STONE 08/11/93		
DIMENSIONS: INCHES		APVD -		NAME
TOLERANCES UNLESS OTHERWISE SPECIFIED:		PRODUCT SPEC		RECEPTACLE HOUSING, STANDARD SEX, SHELL SIZE 11, CPC
0 PLC ± -		108-10024		SIZE
1 PLC ± -		APPLICATION SPEC		CAGE CODE
2 PLC ± 0.13 [.005]				DRAWING NO
3 PLC ± -				RESTRICTED TO
4 PLC ± -				A2 00779
ANGLES ± -		WEIGHT -		©=206061
FINISH -		CUSTOMER DRAWING		SCALE 2:1
				SHEET 1 of 1
				REV H

X-ON Electronics

Largest Supplier of Electrical and Electronic Components

Click to view similar products for [Standard Circular Connector](#) category:

Click to view products by [TE Connectivity](#) manufacturer:

Other Similar products are found below :

[5M2530B10P](#) [600259N006](#) [600273N007](#) [6134-336-13149](#) [6134-337-11149](#) [6134-337-2390](#) [6134-341-17149](#) [6280-4SG-516](#) [6280-7SG-3DC](#)
[6290](#) [6291A](#) [66200A-10](#) [680-SMG](#) [681-PMG](#) [CXS3102A14S2P](#) [CXS3102A181S](#) [7271-6SG-300](#) [7282-3PG-300-CH3](#) [75-474618-01S](#) [75-](#)
[474618-04P](#) [75-474618-04S](#) [799539-000](#) [MI8-SE](#) [805-005-07NF11-19PC](#) [805-005-07NF15-7PA](#) [8280-4PG-516](#) [8280-7PG-519](#) [8282-5PG-](#)
[519](#) [836783-1](#) [MP-4102-25P-C](#) [862256-1](#) [864019-2](#) [866857-1](#) [867865-1](#) [PT01SP-14-18P](#) [PT08P-14-5S](#) [120-1833-000](#)
[QCM019PC2DC012B](#) [1-2069279-1](#) [121583-0217](#) [121667-0020](#) [129591AU](#) [1000B BULK](#) [RD10A16-19-P6CS051/1](#) [RD10A20-31-](#)
[P8CS051/1](#) [RD16A14-12-S6CS051/2](#) [1301240290](#) [1301240347](#) [1301860202](#) [1301240268](#) [1301240275](#)