

THIS DRAWING IS UNPUBLISHED.

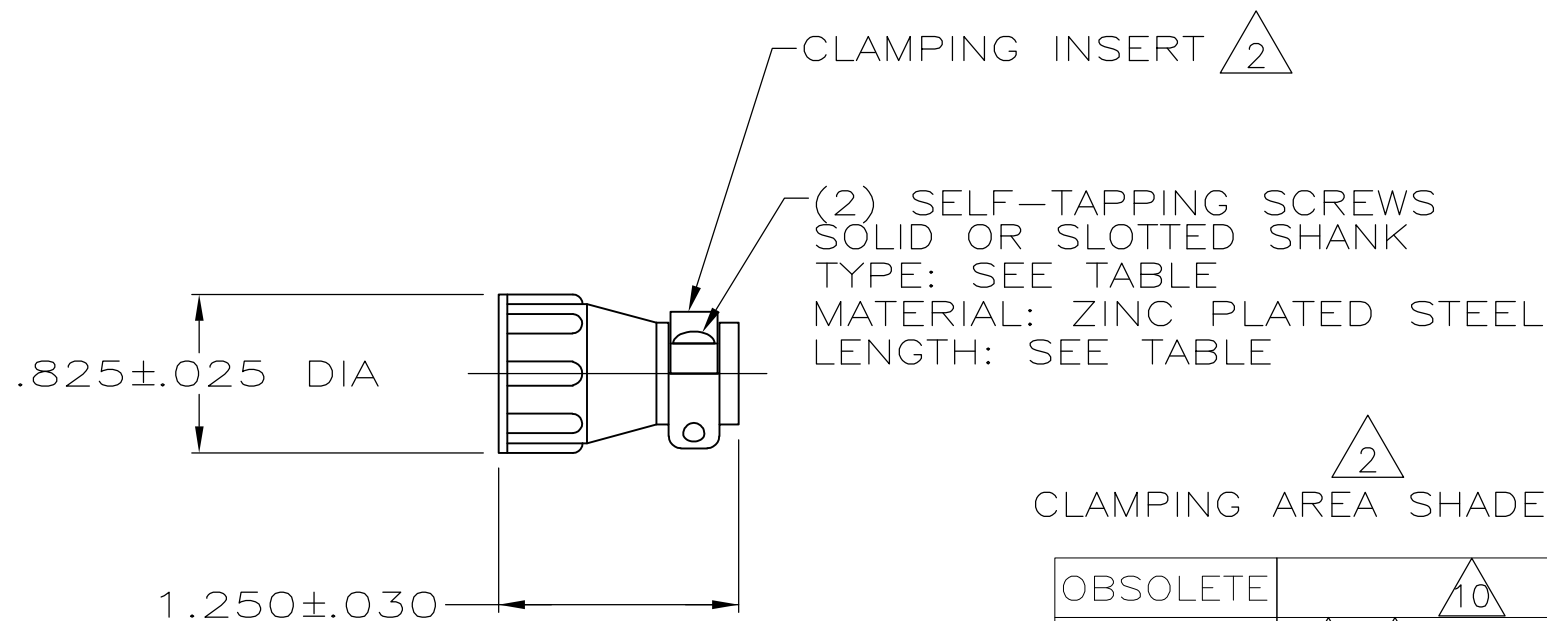
RELEASED FOR PUBLICATION

ALL RIGHTS RESERVED.

© COPYRIGHT - By -

REVISIONS

P	LTR	DESCRIPTION	DATE	DWN	APVD
	V1	REVISED PER ECO-15-002073	06MAY2015	NK	MZ
	W	REVISED PER ECR-16-017870	20APR2017	BDA	MZ



- 1 PARTS PACKAGED UNASSEMBLED.
- 2 CABLE CLAMPING AREA ADJUSTABLE FROM .004 TO .055 SQ IN BY REVERSING CLAMPING INSERTS.
- 3 .329 MAXIMUM CABLE OUTSIDE DIAMETER.
- 4 BULK PACKAGED KITS TO BE ORDERED IN MULTIPLES OF 800 ONLY.
- 5 OBSOLETE PART NUMBER.
- 6 STAINLESS STEEL (NON MAGNATIC).
- 7 CABLE CLAMP WITH NON-MAGNETIC STAINLESS STEEL SCREWS.
- 8 ZINC PLATED STEEL, NON-HEXAVALENT CHROMATE.

PACKAGING	SCREW FINISH	SCREW LENGTH	SCREW TYPE	PART NUMBER
OBSOLETE	8	.50 ^{±.00} _{-.05}	#5-20	2-206062-0
OBSOLETE	6	.50 ^{±.00} _{-.05}	#5-20	1-206062-9
BULK	8	.50 ^{±.00} _{-.05}	#5-20	1-206062-7
INDIVIDUAL	8	.38 ^{±.00} _{-.05}	#5-20	1-206062-6
BULK	8	.38 ^{±.00} _{-.05}	#5-20	1-206062-5
INDIVIDUAL	8	.50 ^{±.00} _{-.05}	#5-20	1-206062-4
INDIVIDUAL	8	.62 ^{±.00} _{-.05}	#5-20	1-206062-3
INDIVIDUAL	6	.50 ^{±.00} _{-.05}	#5-20	1-206062-2
SUPERSEDED BY 1-206062-3	8	.62 ^{±.00} _{-.05}	#5-20	1-206062-1
OBSOLETE	8	.38 ^{±.00} _{-.05}	#5-20	1-206062-0
AMP BRAZIL USE ONLY		12mm ⁺⁰ _{-.8}	3mm-20	206062-9
AMP BRAZIL USE ONLY		10mm ⁺⁰ _{-.8}	3mm-20	206062-8
SUPERSEDED BY 1-206062-7	8	.50 ^{±.00} _{-.05}	#5-20	206062-4
SUPERSEDED BY 1-206062-4	8	.50 ^{±.00} _{-.05}	#5-20	206062-3
SUPERSEDED BY 1-206062-5	8	.38 ^{±.00} _{-.05}	#5-20	206062-2
SUPERSEDED BY 1-206062-6	8	.38 ^{±.00} _{-.05}	#5-20	206062-1

- 9 OBSOLETE PARTS: OBSOLETE CIS STREAMLINING PER D.RENAUD/D.SINISI
- 10 SPECIAL PACKAGING CONSISTING OF 1 KIT PER INDIVIDUAL BAG, 20 INDIVIDUAL BAGS PER LARGER BAG, 5 LARGER BAGS PER SHIPPER BOX.

THIS DRAWING IS A CONTROLLED DOCUMENT.		DWN A GRAFF 4/29/91	TE Connectivity	
		CHK W.G.LENKER 7-22-92		
DIMENSIONS: INCHES 		TOLERANCES UNLESS OTHERWISE SPECIFIED: 0 PLC ± - 1 PLC ± - 2 PLC ± - 3 PLC ± - 4 PLC ± - ANGLES ± -		NAME CABLE CLAMP KIT, STANDARD, SHELL SIZE 11, CPC
MATERIAL THERMOPLASTIC		FINISH -		
		APVD -	PRODUCT SPEC -	APPLICATION SPEC -
		WEIGHT -	SIZE A3	CAGE CODE 00779
		DRAWING NO C-206062		RESTRICTED TO -
CUSTOMER DRAWING		SCALE NTS	SHEET 1 OF 1	REV W

X-ON Electronics

Largest Supplier of Electrical and Electronic Components

Click to view similar products for [Standard Circular Connector](#) category:

Click to view products by [TE Connectivity](#) manufacturer:

Other Similar products are found below :

[C015](#) [10F006](#) [001](#) [1](#) [5M2530B10P](#) [600259N006](#) [600273N007](#) [600432N009](#) [6280-2PG-519](#) [6280-3PG-311](#) [6280-3SG-311](#) [6280-7SG-3DC](#)
[6280-7SG-522](#) [6282-2SG-321](#) [6282-5PG-311](#) [6282-6PG-519](#) [6282-8SG-311](#) [6283-11](#) [6283-15](#) [6290](#) [6382-2PG-311](#) [6382-2PG-3DC](#) [6382-](#)
[2SG-321](#) [6382-2SG-3DC](#) [6382-4SG-516](#) [680-SMG](#) [681-PMG](#) [CXS3102A14S2P](#) [CXS3102A181S](#) [CXS3106A14S6S](#) [D38999/20FC8SA L/C](#)
[MB12P-1](#) [7251-2PG-300](#) [7251-2SG-300](#) [7251-4PG-300](#) [7251-4SG-300](#) [7251-5PG-300](#) [7251-5SG-300](#) [7251-6SG-300](#) [7251-7PG-300](#) [7251-](#)
[8PG-300](#) [7271-6SG-300](#) [7282-3PG-300-CH3](#) [7282-8PG-3ES](#) [73000005663](#) [75-190216-08S](#) [75-190218-10P](#) [75-474618-01S](#) [75-474620-07P](#)
[799539-000](#) [MI8-SE](#) [80-190222-18P](#) [805-005-07NF11-19PC](#)